



POWER
TOOLS

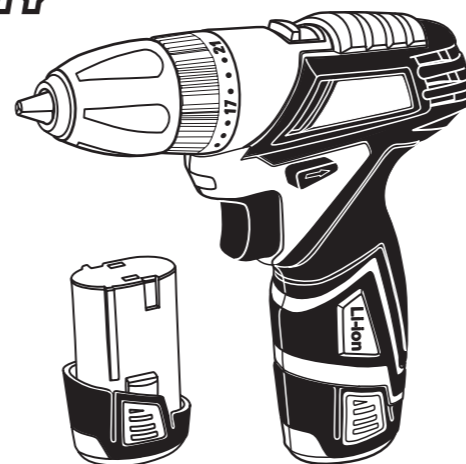


SPARKY

HD PROFESSIONAL

EN	CORDLESS DRILL / DRIVER	1 – 11
	Original instructions	
DE	AKKU-BOHRSCHRAUBER	12 – 23
	Originalbetriebsanleitung	
FR	PERCEUSE / VISSEUSE SANS FIL	24 – 35
	Notice originale	
IT	AVVITATORE / TRAPANO A BATTERIA	36 – 46
	Istruzioni originali	
ES	TALADRO ATORNILLADOR A BATERÍA	47 – 58
	Instrucciones de uso originales	
PL	WKRĘTARKA AKUMULATOROWA	59 – 69
	Instrukcja oryginalna	
RU	АККУМ. ДРЕЛЬ ШУРУПОВЕРТ	70 – 82
	Оригинальная инструкция по эксплуатации	
BG	АКУМУЛАТОРНА БОРМАШИНА / ВИНТОВЕРТ	83 – 95
	Оригинална инструкция за използване	

HEAVYDUTY



7.2V Lithium-Ion

BR2 7.2Li HD



EN DECLARATION OF CONFORMITY

We declare under our sole responsibility that this product is in conformity with the provisions of the following directives and the corresponding harmonized standards:
BR2 7.2Li HD: 2006/42/EC, 2004/108/EC, EN 60745-1, EN 60745-2-1, EN 60745-2-2, EN 55014-1, EN 55014-2
Charger: 2006/95/EC, 2004/108/EC, EN 60335-1, EN 60335-2-29, EN 62233, EN 55014-1, EN 55014-2, EN 61000-3-2, EN 61000-3-3
Technical file is stored at SPARKY ELTOS AG, Kubrat Str. 9, 5500 Lovetch, Bulgaria.

DE KONFORMITÄTSEKTLÄRUNG

Hiermit versichern wir unsere persönliche Haftung, daß dieses Erzeugnis den Anordnungen folgender Richtlinien und entsprechender harmonisierter Standards entspricht:
BR2 7.2Li HD: 2006/42/EC, 2004/108/EC, EN 60745-1, EN 60745-2-1, EN 60745-2-2, EN 55014-1, EN 55014-2
Ladegerät: 2006/95/EC, 2004/108/EC, EN 60335-1, EN 60335-2-29, EN 62233, EN 55014-1, EN 55014-2, EN 61000-3-2, EN 61000-3-3
Die technischen Unterlagen werden bei SPARKY ELTOS AG, Kubrat Str.9, 5500 Lovetch, Bulgarien, aufbewahrt.

FR DECLARATION DE CONFORMITE

Nous déclarons sous notre propre responsabilité que ce produit est conforme aux directives, respectivement les standards harmonisés:
BR2 7.2Li HD: 2006/42/EC, 2004/108/EC, EN 60745-1, EN 60745-2-1, EN 60745-2-2, EN 55014-1, EN 55014-2
Chargeur: 2006/95/EC, 2004/108/EC, EN 60335-1, EN 60335-2-29, EN 62233, EN 55014-1, EN 55014-2, EN 61000-3-2, EN 61000-3-3
Le dossier technique est conservé par SPARKY ELTOS AD, 9, rue Kubrat, Lovech, Bulgarie.

IT DICHIARAZIONE DI CONFORMITÀ

Noi dichiariamo la nostra personale responsabilità, affermando che questo prodotto è in conformità delle seguenti direttive, rispettivamente norme armonizzate:
BR2 7.2Li HD: 2006/42/EC, 2004/108/EC, EN 60745-1, EN 60745-2-1, EN 60745-2-2, EN 55014-1, EN 55014-2
Caricabatteria: 2006/95/EC, 2004/108/EC, EN 60335-1, EN 60335-2-29, EN 62233, EN 55014-1, EN 55014-2, EN 61000-3-2, EN 61000-3-3
Il fascicolo tecnico viene custodito presso la SPARKY ELTOS, 5500 Lovech, via Kubrat n. 9, Bulgaria

ES DECLARACIÓN DE CONFORMIDAD

Declaramos bajo nuestra exclusiva responsabilidad que este producto cumple con lo estipulado en las siguientes directrices y en las correspondientes normas armonizadas:
BR2 7.2Li HD: 2006/42/EC, 2004/108/EC, EN 60745-1, EN 60745-2-1, EN 60745-2-2, EN 55014-1, EN 55014-2
Caricabatería: 2006/95/EC, 2004/108/EC, EN 60335-1, EN 60335-2-29, EN 62233, EN 55014-1, EN 55014-2, EN 61000-3-2, EN 61000-3-3
El expediente técnico está archivado en SPARKY ELTOS SA, C/ Kubrat, 9, 5500 Lovech, Bulgaria.

PL DEKLARACJA ZGODNOŚCI

Niniejszym deklarujemy naszą osobistą odpowiedzialnością za to, że ten wyrób jest zgodny z rozporządzeniami następujących dyrektyw i odpowiednich harmonizowanych standardów:
BR2 7.2Li HD: 2006/42/EC, 2004/108/EC, EN 60745-1, EN 60745-2-1, EN 60745-2-2, EN 55014-1, EN 55014-2
Ładowarka: 2006/95/EC, 2004/108/EC, EN 60335-1, EN 60335-2-29, EN 62233, EN 55014-1, EN 55014-2, EN 61000-3-2, EN 61000-3-3
Teczka techniczna przechowywana jest w SPARKY ELTOS AG, Kubrat Str.9, 5500 Lovetch, Bulgaria

RU ДЕКЛАРАЦИЯ О СООТВЕТСТВИИ

Мы заявляем нашу личную ответственность за соответствие данного изделия нижеперечисленным директивам и соответствующим унифицированным стандартам:
BR2 7.2Li HD: 2006/42/EC, 2004/108/EC, EN 60745-1, EN 60745-2-1, EN 60745-2-2, EN 55014-1, EN 55014-2
Зарядное устройство: 2006/95/EC, 2004/108/EC, EN 60335-1, EN 60335-2-29, EN 62233, EN 55014-1, EN 55014-2, EN 61000-3-2, EN 61000-3-3
Техническое досье хранится в СПАРКИ ЕЛТОС АД, ул. Кубрат №9, 5500 Ловеч, Болгария.

BG ДЕКЛАРАЦИЯ ЗА СЪОТВЕТСТВИЕ

Ние декларираме нашата лична отговорност, че това изделие е в съответствие с разпоредбите на следните директиви, съответно хармонизирани стандарти:
BR2 7.2Li HD: 2006/42/EC, 2004/108/EC, EN 60745-1, EN 60745-2-1, EN 60745-2-2, EN 55014-1, EN 55014-2
Зарядно устройство: 2006/95/EC, 2004/108/EC, EN 60335-1, EN 60335-2-29, EN 62233, EN 55014-1, EN 55014-2, EN 61000-3-2, EN 61000-3-3
Техническото досье се съхранява в СПАРКИ ЕЛТОС АД, ул. Кубрат №9, 5500 Ловеч, България.

SPARKY Power Tools GmbH
Leipziger Str. 20
10117 Berlin, DEUTSCHLAND
Geschäftsführer

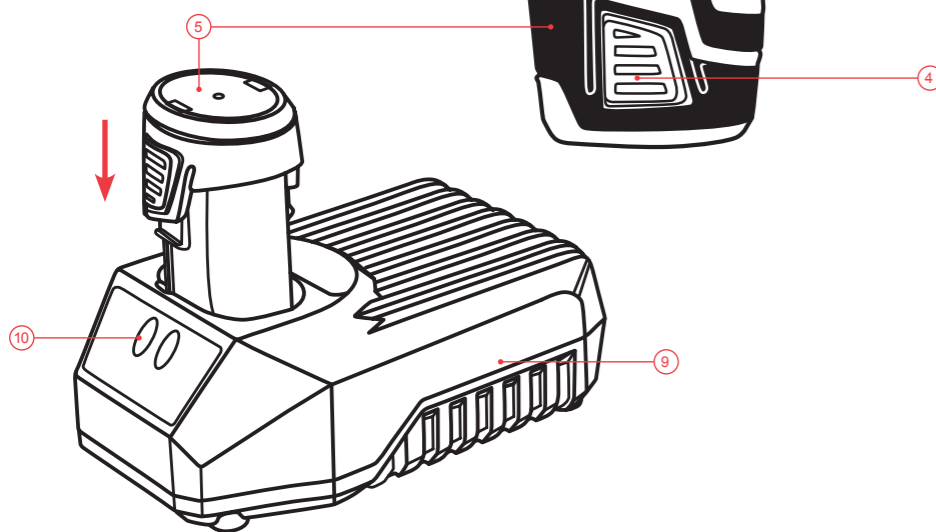
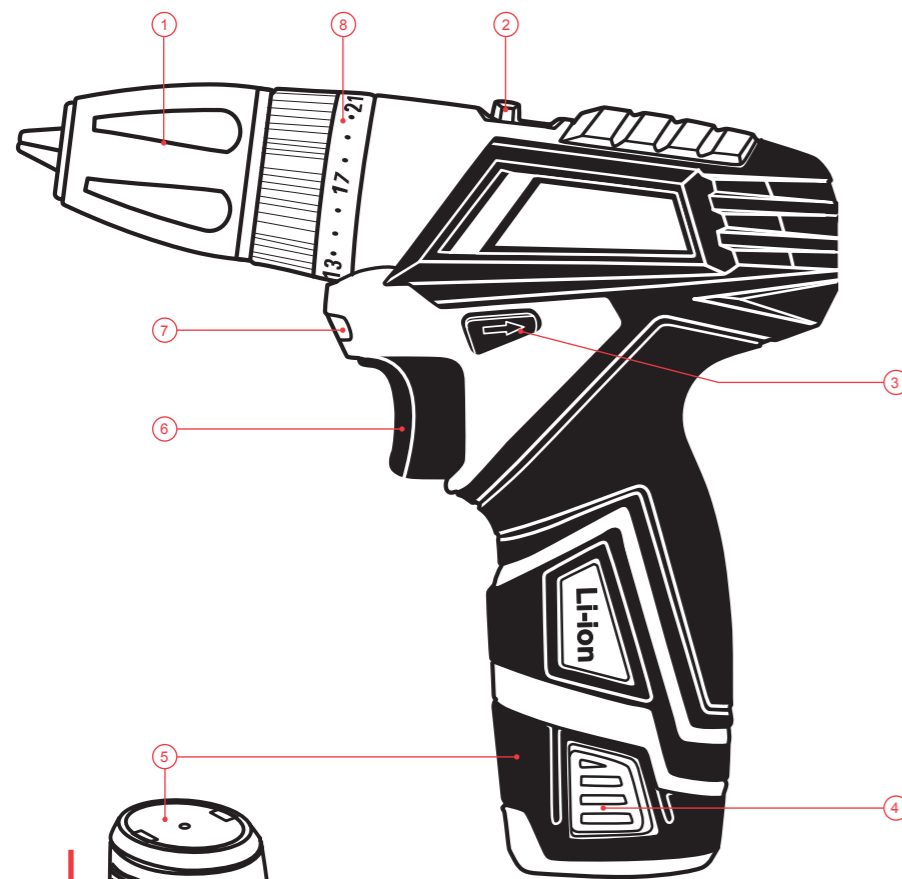
Dipl.-Kfm., Dipl.-Ing. Stanislav Petkov

13.09.2011 r.

www.sparkygroup.com

1109R01

© 2011 SPARKY



A

СПАРКИ ЕЛТОС АД
ЕО ДЕКЛАРАЦИЯ ЗА СЪОТВЕТСТВИЕ

Ние декларираме нашата отговорност, че изделието
АКУМУЛАТОРНА БОРМАШИНА / ВИНТОВЕРТ
BR2 7.2Li HD

съответства на изискванията на следните наредби:

- НАРЕДБА за съществените изисквания и оценяване съответствието на машините - приета с ПМС № 140 от 19.06.2008 г.
- Наредба за съществените изисквания и оценяване на съответствието за електромагнитна съвместимост – приета с ПМС № 76 от 06.04.2007 г.;

както и на следните БДС, въвели европейски хармонизирани стандарти:
БДС EN 60745-1, БДС EN 60745-2-1, БДС EN 60745-2-2, БДС EN 55014-1, БДС EN 55014-2
Техническото досие се съхранява в СПАРКИ ЕЛТОС АД, ул. Кубрат №9, 5500 Ловеч, България.

13.09.2011 г.
Продуктът е маркиран със знак **CE**

SPARKY Power Tools GmbH
Leipziger Str. 20
10117 Berlin,
GERMANY

Stanislav Petkov
инж. Станислав Петков
Управител

СПАРКИ ЕЛТОС АД
ЕО ДЕКЛАРАЦИЯ ЗА СЪОТВЕТСТВИЕ

Ние декларираме нашата отговорност, че изделието
ЗАРЯДНО УСТРОЙСТВО ЗА АКУМУЛАТОРНИ БАТЕРИИ
за обща употреба

съответства на изискванията на следните наредби:

- Наредба за съществените изисквания и оценяване на съответствието за електромагнитна съвместимост - приета с ПМС № 76 от 06.04.2007 г.;
- Наредба за съществените изисквания и оценяване на съответствието на електрически съоръжения, предназначени за използване в определени граници на напрежението - приета с ПМС № 182 от 6.07.2001 г.,
- Наредба за маркировката за съответствие - приета с ПМС № 191 от 16.08.2005г.

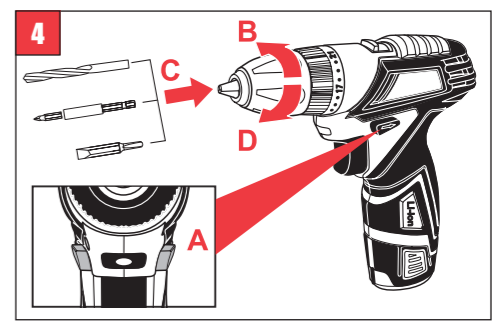
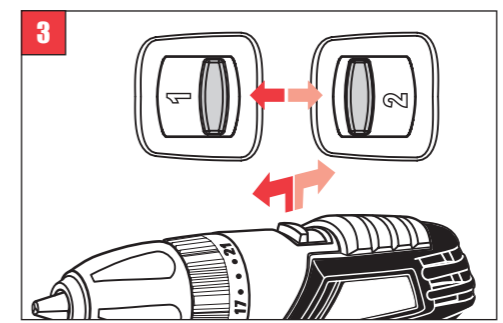
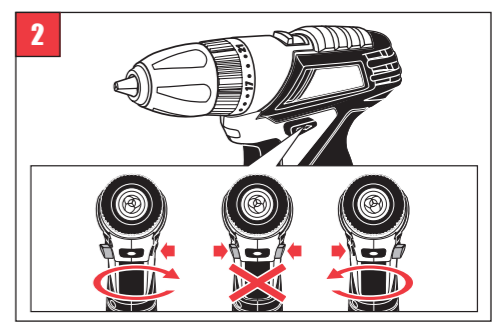
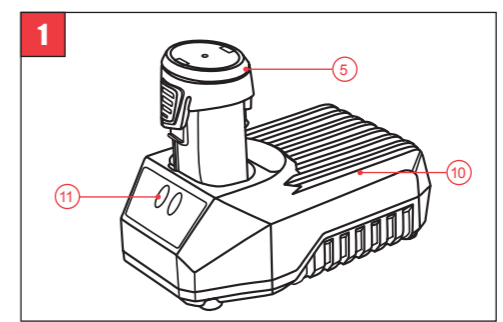
както и на следните БДС, въвели европейски хармонизирани стандарти:
БДС EN 60335-1; БДС EN 60335-2-29; БДС EN 62233, БДС EN 55014-1, БДС EN 55014-2,
БДС EN 61000-3-2, БДС EN 61000-3-3

11

13.09.2011 г.
Продуктът е маркиран със знак **CE**

SPARKY Power Tools GmbH
Leipziger Str. 20
10117 Berlin,
GERMANY

Stanislav Petkov
инж. Станислав Петков
Управител



Contents

I - Introduction	1
II - Technical specifications	3
III - General power tool safety warnings	4
IV - Additional safety rules for cordless drills / drivers	5
V - Additional instructions for work with the charger	6
VI - Additional instructions for work with the battery pack	6
VII - Know your product	A/8
VIII - Operation	8
IX - Maintenance	10
X - Environmental Protection.....	10
XI - Warranty	11

UNPACKING

Due to modern mass production techniques, it is unlikely that your power tool is faulty or that a part is missing. If you find anything wrong, do not operate the tool until the parts have been replaced or the fault has been rectified. Failure to do so could result in serious personal injury.

ASSEMBLY

This SPARKY cordless drill / driver is packed fully assembled.

I - Introduction

Your new SPARKY power tool will more than satisfy your expectations. It has been manufactured under stringent SPARKY Quality Standards to meet superior performance criteria. You will find your new tool easy and safe to operate, and, with proper care, it will give you many years of dependable service.



WARNING:

Carefully read through this entire Instruction Manual before using your new SPARKY power tool. Take special care to heed the **Warnings**. Your SPARKY power tool has many features that will make your job faster and easier. Safety, performance, and dependability have been given top priority in the development of this tool, making it easy to maintain and operate.



Do not dispose of electrical products together with household waste!

Waste electrical products should not be disposed of with household waste. Please recycle where facilities exist. Check with your local authority or retailer for recycling advice.

ENVIRONMENTAL PROTECTION



The machine, accessories and packaging should be sorted for environmental-friendly recycling. The plastic components are labelled for categorised recycling.

DESCRIPTION OF SYMBOLS

The rating plate on your tool may show symbols. These represent important information about the product or instructions on its use.



Double insulated for additional protection



Indoor use only



Do not expose to rain or water



Do not burn



Always charge the battery pack between temperatures 0°C to 40°C



Conforms to relevant European safety standards



Conforms to the requirements of Russian standards



Conforms to the requirements of Ukrainian standards



Refer to original instructions.

YYWww

Production period, where the variable symbols are:

YY- last two digits of the year of manufacture, **ww** - calendar week number

II - Technical specifications

Model	BR2 7.2Li HD	
▪ Motor	V	7.2
▪ No load speed (1st gear/2nd gear)	min ⁻¹	0-190/0-600
▪ Max. torque	Nm	13
▪ Torque control settings (number of positions)		19+1
▪ Keyless chuck capacity	mm	0.6-6
▪ Drilling capacity in steel / wood	mm	4 / 6
▪ Wood screw max. diameter	mm	6
▪ Electronic trigger speed control, left - right run		Yes
▪ Electric brake		Yes
▪ Auto spindle lock		Yes
▪ LED work area light		Yes
▪ LED charge indicator		Yes
▪ Two-speed gear		Yes
▪ Weight (incl. battery pack) (EPTA procedure 01/2003)	kg	0.7
NOISE AND VIBRATION INFORMATION (Measured values determined according to EN 60745.)		
▪ Noise emission		
A-weighted sound pressure level L _{pA}	dB(A)	60
Uncertainty K _{pA}	dB	3
A-weighted sound power level L _{wA}	dB(A)	71
Uncertainty K _{wA}	dB	3



Wear hearing protection!

▪ **Vibration emission ***

Total vibration values (vector sum in the three axes) determined according to EN 60745:

Vibration emission value a _{h,D}	m/s ²	0.7
Uncertainty K _{h,D}	m/s ²	0.15

* The vibration emission values are determined according to 6.2.7 EN 60745-1

BATTERY (Li-Ion):

▪ Voltage	V	7.2
▪ Capacity	Ah	1.3

CHARGER

▪ Input:		
Voltage / frequency	V~Hz	230~50
Consumption	W	32
▪ Output voltage / current	V/A	8 / 3
▪ Charging time	min	30

The vibration emission level given in this information sheet has been measured in accordance with a standardised test given in EN 60745 and may be used to compare one tool with another. It may be used for a preliminary assessment of exposure.

The declared vibration emission level represents the main applications of the tool. However if the tool is used for different applications, with different accessories or poorly maintained, the vibration emission may differ. This may significantly increase the exposure level over the total working period.

An estimation of the level of exposure to vibration should also take into account the times when the tool is switched off or when it is running but not actually doing the job. This may significantly reduce the exposure level over the total working period.

Maintain the power tool and the accessories and keep your hands warm during operation to reduce the harmful effect of vibrations.

Dust from material such as paint containing lead, some wood species, minerals and metal may be harmful. Contact with or inhalation of the dust may cause allergic reactions and/or respiratory diseases to the operator or bystanders.

Certain kinds of dust are classified as carcinogenic such as oak and beech dust especially in conjunction with additives for wood conditioning (chromate, wood preservative). Material containing asbestos must only be treated by specialists.

- Where the use of a dust extraction device is possible it shall be used.
- To achieve a high level of dust collection, use vacuum cleaner for wood or for wood and/or minerals together with this tool.
- The work place must be well ventilated.
- The use of a dust mask of filter class P2 is recommended.

Follow national requirements for the materials you want to work with.

III - General power tool safety warnings



WARNING! Read all safety warnings and all instructions. Failure to follow the warnings and instructions may result in electric shock, fire and/or serious injury.

Save all warnings and instructions for future reference.

The term "power tool" in the warnings refers to your mains-operated (corded) power tool or battery-operated (cordless) power tool.

1. WORK AREA SAFETY

- Keep work area clean and well lit.** Cluttered or dark areas invite accidents.
- Do not operate power tools in explosive atmospheres, such as in the presence of flammable liquids, gases or dust.** Power tools create sparks which may ignite the dust or fumes.
- Keep children and bystanders away while operating a power tool.** Distractions can cause you to lose control.

2. ELECTRICAL SAFETY

- Power tool plugs must match the outlet.** Never modify the plug in any way. Do not use any adapter plugs with earthed (grounded) power tools. Unmodified plugs and matching outlets will reduce risk of electric shock.
- Avoid body contact with earthed or grounded surfaces, such as pipes, radiators, ranges and refrigerators.** There is an increased risk of electric shock if your body is earthed or grounded.
- Do not expose power tools to rain or wet conditions.** Water entering a power tool will increase the risk of electric shock.

- Do not abuse the cord.** Never use the cord for carrying, pulling or unplugging the power tool. Keep cord away from heat, oil, sharp edges or moving parts. Damaged or entangled cords increase the risk of electric shock.
- When operating a power tool outdoors, use an extension cord suitable for outdoor use.** Use of a cord suitable for outdoor use reduces the risk of electric shock.
- If operating a power tool in a damp location is unavoidable, use a residual current device (RCD) protected supply.** Use of an RCD reduces the risk of electric shock.

3. PERSONAL SAFETY

- Stay alert, watch what you are doing and use common sense when operating a power tool.** Do not use a power tool while you are tired or under the influence of drugs, alcohol or medication. A moment of inattention while operating power tools may result in serious personal injury.
- Use personal protective equipment.** Always wear eye protection. Protective equipment such as dust mask, non-skid safety shoes, hard hat, or hearing protection used for appropriate conditions will reduce personal injuries.
- Prevent unintentional starting.** Ensure the switch is in the off-position before connecting to power source and/or battery pack, picking up or carrying the tool. Carrying power tools with your finger on the switch or energising power tools that have the switch on invites accidents.
- Remove any adjusting key or wrench before turning the power tool on.** A wrench or a key left attached to a rotating part of the power tool may result in personal injury.
- Do not overreach.** Keep proper footing

and balance at all times. *This enables better control of the power tool in unexpected situations.*

- f) **Dress properly. Do not wear loose clothing or jewellery. Keep your hair, clothing and gloves away from moving parts.** *Loose clothes, jewellery or long hair can be caught in moving parts.*
- g) **If devices are provided for the connection of dust extraction and collection facilities, ensure these are connected and properly used.** *Use of dust collection can reduce dust-related hazards.*

4. POWER TOOL USE AND CARE

- a) **Do not force the power tool. Use the correct power tool for your application.** *The correct power tool will do the job better and safer at the rate for which it was designed.*
- b) **Do not use the power tool if the switch does not turn it on and off.** *Any power tool that cannot be controlled with the switch is dangerous and must be repaired.*
- c) **Disconnect the plug from the power source and/or the battery pack from the power tool before making any adjustments, changing accessories, or storing power tools.** *Such preventive safety measures reduce the risk of starting the power tool accidentally.*
- d) **Store idle power tools out of the reach of children and do not allow persons unfamiliar with the power tool or these instructions to operate the power tool.** *Power tools are dangerous in the hands of untrained users.*
- e) **Maintain power tools. Check for misalignment or binding of moving parts, breakage of parts and any other condition that may affect the power tool's operation. If damaged, have the power tool repaired before use.** *Many accidents are caused by poorly maintained power tools.*
- f) **Keep cutting tools sharp and clean.** *Properly maintained cutting tools with sharp cutting edges are less likely to bind and are easier to control.*
- g) **Use the power tool, accessories and tool bits etc. in accordance with these instructions, taking into account the working conditions and the work to be performed.** *Use of the power tool for operations different from those intended could result in a hazardous situation.*

5. SERVICE

- a) **Have your power tool serviced by a qualified repair person using only identical replacement parts.** *This will ensure that the safety of the power tool is maintained.*

IV - Additional safety rules for cordless drills / drivers

- Be aware that this tool is always in operating condition, because it does not have to be plugged into an electrical outlet. Always set the trigger switch to the locked OFF position when installing or removing the battery pack.
- If possible, always use clamps or a vice to hold your work.
- Do not touch the bit after operation. It will be very hot.
- When using the drill, use safety equipment including safety glasses and ear defenders. Wear a dust mask if the drilling operation creates dust.
- The dust, separated while processing materials, containing quartz (SiO₂) is dangerous to your health. Do not process materials containing asbestos.
- The tool must be used only for its prescribed purpose. Any use other than those mentioned in this Manual will be considered a case of misuse. The user and not the manufacturer shall be liable for any damage or injury resulting from such cases of misuse.
- To use this tool properly, you must observe the safety regulations, the assembly instructions and the operating instructions to be found in this Manual. All persons who use and service the machine have to be acquainted with this Manual and must be informed about its potential hazards. Children and frail people must not use this tool. Children should be supervised at all times if they are in the area in which the tool is being used. It is also imperative that you observe the accident prevention regulations in force in your area. The same applies for general rules of occupational health and safety.
- The manufacturer shall not be liable for any changes made to the tool nor for any damage resulting from such changes.

Even when the tool is used as prescribed it is not possible to eliminate all residual risk factors. The following hazards may arise in connection with the tool's construction and design:

- Damage to the lungs if an effective dust mask is not worn.
- Damage to hearing if effective ear defenders are not worn.

V - Additional instructions for work with the charger

- Before using the charger, read all the instructions and cautionary markings on the charger and battery pack as well as the instructions on using the battery pack.
- Only charge your batteries indoors as the charger is designed for indoor use only.



WARNING: If the battery pack is cracked or damaged in any other way, do not insert it in the charger. There is a danger of electric shock.



WARNING: Do not allow any liquid to come into contact with the charger. There is a danger of electric shock.

- The charger is not intended for any use other than charging the exact type of SPARKY rechargeable battery pack as supplied with the charger. Any other use may result in the risk of fire or electric shock.
- The charger and battery packs supplied with it are specifically designed to work together. Do not attempt to charge the battery pack with any other charger than the one supplied.
- Do not place any object on top of the charger as it could cause overheating. Do not place the charger near any heat source.
- Do not pull on the lead of the charger to disconnect it from the power source.
- Make sure that the charger cord is positioned where it will not be stepped on, tripped over or otherwise subjected to damage or stress.
- Do not use an extension cord unless it is absolutely necessary. The use of an improper extension cord could cause the risk of fire or electric shock.
- Do not use the charger if it has been subjected to a heavy knock, dropped or otherwise damaged in any way. Do not operate charger with damaged cord or plug - have them replaced immediately. Take the charger to an authorised

service centre for a check or repair.

- If the replacement of the supply cord is necessary, this has to be done by the manufacturer or his agent in order to avoid a safety hazard.
- Do not disassemble the charger. Take it to an authorised service centre when service or repair is required. Incorrect re-assembly may result in the risk of fire or electric shock.
- To reduce the risk of an electric shock, unplug the charger from the power supply before attempting to clean it. Removing the battery alone does not reduce the risk.
- Never attempt to connect two chargers together.
- Do not store or use the tool and battery pack in locations where the temperature may reach or exceed 104°F (40°C) such as alongside sheds, trailers or metal structures during summer.
- The charger is designed for use from a standard household electrical supply (230–240V). Do not attempt to connect the charger to a supply with a different supply.
- If you wish to charge a second battery pack, unplug the charger from the mains supply and leave it for at least 15 minutes. After this time you can charge a second battery pack.
- Under certain conditions, with the charger plugged in to the power supply, the exposed charging contacts inside the charger can be shorted by foreign material. Foreign materials of a conductive nature such as, but not limited to, steel wool, aluminium foil, or any build-up of metallic particles should be kept away from charger cavities. Always unplug the charger from the power supply when there is no battery pack in the cavity. Unplug charger before attempting to clean.
- Do not freeze or immerse charger in water or any other liquid.

VI - Additional instructions for work with the battery pack

- The battery pack for this tool has been shipped in a low charge condition. You should charge the battery pack fully before use.



WARNING: If the battery pack is cracked or damaged in any other way, do not insert it in the charger. There is a danger of electric shock.

- To ensure the longest battery life and best battery performance, always charge the battery when the air temperature is between 18–24°C. Do not charge the battery pack when the temperature is below 0°C, or above 40°C. This is important. Failure to observe this safety rule could cause serious damage to the battery pack.
- The charger and battery pack may become warm to touch while charging. This is a normal condition, and does not indicate a problem.
- To prevent overheating, do not charge battery packs in direct sunlight in hot weather or near heat sources.
- Do not charge inside a box or container of any kind. The battery must be placed in a well ventilated area during charging.
- When the battery is defective, liquid can escape and come into contact with adjacent components. Check any parts concerned. Clean such parts or replace them, if required.
- If the battery pack does not charge properly:
 - (1) Check current at receptacle by plugging in a lamp or other appliance.

(2) Move charger and battery pack to a location where the surrounding air temperature is approximately 65°F–75°F (18°C–24°C).

(3) If charging problems persist, take or send the tool, battery pack and charger to your local service centre.

- The battery pack should be recharged when it fails to produce sufficient power on jobs, which were easily done previously. **DO NOT CONTINUE** to use under these conditions. Follow the charging procedure. The Li-ion battery can be charged at any time without reducing its service life. Interrupting the charging procedure does not damage the battery.
- Do not incinerate the battery pack even if it is seriously damaged or can no longer hold a charge. The battery pack can explode in a fire.
- To facilitate the cooling of the battery pack after use, avoid placing the charger or battery pack in a warm environment such as in a metal shed, or an uninsulated trailer.



WARNING: Never attempt to open the battery pack for any reason. If the plastic housing of the battery pack breaks or cracks, return to a service centre for recycling.

READ ALL OF THE INSTRUCTIONS IN THE CHARGER SECTION OF THIS MANUAL BEFORE ATTEMPTING TO CHARGE THE BATTERY PACK FOR YOUR TOOL.

- Always use correct SPARKY battery pack (the one supplied with tool or a replacement pack exactly like it). Never install any other battery pack. It will ruin your tool and may create a hazardous condition.
- Charge battery packs only in SPARKY chargers.
- Use an environmentally safe disposal unit at a municipal waste disposal centre to dispose of a damaged or worn out battery.

FITTING AND REMOVING THE BATTERY PACK

To remove the battery from the machine: press the battery release buttons (4) and take the battery out of the tool.



WARNING: Always set the forward/reverse switch (3) in central position before any work on the machine e. g. fitting and removing a battery, changing the bit,, transport, maintenance and storage.

To install the battery: Insert the charged battery into the opening at the base of the power tool until the battery is securely latched with a click.

BATTERY CHARGING

- Insert the plug of the charger in the socket. The green LED on the charging indicator (10) will start to glow thus indicating that the charger is in standby state.
- Insert the battery (5) in the charger socket (9) considering the polarity. (Fig. 1)
- A new battery will work properly after five cycles of charging and discharging. Charge and discharge a battery, which is not used for a long time, for two to three times to function well.
- When the battery working time is remarkably short despite full charging, the life of the battery may be over. Replace the battery immediately.



WARNING: The battery will be fully charged after approximately 30 min, remove it from the charger after this time.

Charging indication:

- The green LED starts to glow upon plugging the charger in the mains.
- The green LED ceases to glow and the red LED lights up after the battery has been placed in the charger, thus indicating the beginning of the charging process.

During the charging process the charger and battery might become warm. This is a normal condition, and does not indicate a problem.

- After completion of charging which takes approximately 30 min, the red LED ceases to glow and the green LED lights up.

The charger features thermal overload protection for the battery. Nevertheless we recommend withdrawing the battery from the charger upon expiring of the charging time. You may use additionally an electric timer in order to control the charging time.

TO OBTAIN THE BEST LIFE FOR THE BATTERY

- When battery is not in use, keep it away from other metal objects like paper clips, coins, keys, nails, screws, or other small metal objects that can make a connection from one terminal to another. Shorting the battery terminals together may cause fire or explosion.
- Always unplug the charger when not in use and store in a dry secure place.
- Do not charge battery packs and do not store the charger in premises where the temperature may drop under 0°C or exceed +40°C.

VII - Know your product

Before using the power tool, familiarize yourself with all operating features and safety requirements.

Use the tool and accessories only for the applications intended. All other applications are expressly ruled out.

1. Keyless chuck
2. Speed selector switch
3. Forward/reverse switch
4. Battery release buttons
5. Battery
6. ON/OFF trigger switch
7. LED light
8. Torque adjustment collar
9. Charger
10. LED charge state indicator

VIII - Operation

LED WORK AREA LIGHT

The machine is equipped with LED light (7) to illuminate the work area and improve visibility when

drilling in areas with insufficient light. To turn the LED light on and off depress the LED light button (6).

REVERSING

The extreme position of lever (3) to the right (viewed from the rear) is equivalent to anti-clockwise rotation, the extreme position to the left - to clockwise rotation. When the ON/OFF switch (6) is depressed lever (3) can not be actuated. (Fig. 2)



WARNING: Reversing can be performed only when the spindle is not rotating!

Drilling and tightening screws are performed with lever in extreme position to the left. Removal of screws is performed with lever in extreme position to the right.

SWITCHING ON - SWITCHING OFF

Switching on: press ON/OFF switch (6).

Switching off: release ON/OFF switch (6).

The power tool is equipped with a brake. The spindle stops rotating immediately after releasing the switch lever.

SMOOTH ELECTRONIC RPM CONTROL

Light pressure on ON/OFF trigger switch (6) results in low rotation speed, further pressing the switch results in smooth increase of the rpm to maximum upon reaching the extreme position.

ADJUSTING THE TORQUE

Rotate the torque adjustment collar (8) behind the chuck, to adjust the torque to each of 19 settings. The range of 19 torque settings allows better control when using the drill as a screwdriver thus preventing over-tightening of the screws.

The numbers circling the collar are used to indicate the level of torque. The larger the number on the collar, the higher the torque. To select any of the numbers, rotate the collar (8) until the desired number aligns with the arrow head indicator on the housing of the machine.

Screwdriving

Set the torque adjustment collar (8) against one of 19 positions.

1
19

Select low setting range for working with small screws or in soft materials.

Select high setting range for working with large screws or in hard materials.

Drilling

Set the torque adjustment collar (8) against this symbol to choose drilling in metal, wood, etc.

The power tool is equipped with an electric brake. The spindle stops rotation immediately after the switch has been released. At overloading in drilling mode release the switch immediately to prevent prolonged overloading and overheating the motor.

SPEED SELECTOR SWITCH (FIG. 3)

The two-speed selector switch (2) enables you to select the appropriate gear with the optimum speed and torque to suit the application.



WARNING: When changing the gear ensure the drill is switched off.

1. To select the low gear (low speed, high torque setting), push the gear selector (2) backward. The digit **1** on the switch will be displayed.
2. To select the high gear (high speed, low torque setting), push the gear selector (2) forward. The digit **2** on the switch will be displayed.

INSERTING AND REMOVING BITS (FIG. 4)



WARNING: Remove the battery or set the forward/reverse switch (3) in central (neutral) position (A).

The drill is fitted with auto spindle lock which means if you try to rotate the chuck by hand the spindle will automatically lock. This means you only need to grasp the chuck and rotate the chuck housing to remove or fit accessories.

- Hold the machine with one hand and rotate the chuck with the other hand.
 - To open the chuck, rotate it anti-clockwise. (B)
 - To close the chuck, rotate it clockwise. (D)
- Insert the bit. (C)
- Close the chuck.
- Perform a test run to check that the bit is properly clamped in the centre.

REPLACING THE CHUCK



WARNING: Replacing the chuck must be performed only in authorised service centres. Please do not attempt to replace the chuck with available tools otherwise you may damage the cordless drill/driver.

DRILLING

Drilling metal

- For maximum performance, use high speed steel bits for drilling in metal or steel.
- Ensure that the torque adjustment collar (8) is at position "drill bit".
- Begin drilling at very low speed to prevent the bit from slipping off the starting point.
- Always clamp sheet metal.
- Support thin metal with a block of wood to avoid distorting it.
- Use a punch to mark the centre of the hole.
- Use a suitable lubricant for the material you are working on.

Material	Lubricant
Steel	Oil
Aluminium	Turpentine or paraffin
Brass, copper or cast iron	Do not lubricate

Drilling plastics and plastic coated chipboard

- Use high speed drill bits.
- Refer to "Drilling wood" below.

Drilling wood


- For maximum performance, use high speed steel bits for wood drilling.
- Ensure that the torque adjustment collar (8) is at position "drill bit".
- Begin drilling at very low speed to prevent the bit from slipping off the starting point. Increase the speed as the drill bites into the material.
- When drilling through holes, place a block of wood behind the work piece to prevent ragged or splintered edges on the back side of the hole.


All drilling operations

- Use only sharp drill bits.
- Mark off the centre of the hole using a centre punch or nail.


SCREWING / UNSCREWING

Select the appropriate torque by placing one of the numbers, marked on the torque adjustment collar (8), against the arrow on the tool housing. Insert the necessary bit.

 **WARNING:** Over-tightening can result in the screw breaking or damage to the end of the driver bit.

 **WARNING:** If the machine is held at an angle to the screw being tightened, the head of the screw may be damaged, or the specified torque may not be transmitted to the screw. Always keep the machine and the screw being tightened in a straight line.

IX - Maintenance

 **WARNING:** Always set the forward/reverse switch (6) in central position before any work on the machine e. g. fitting and removing a battery, tool change, transport, maintenance and storage.


Regularly check that all the fixing screws are tight. They may vibrate loose over time.


CLEANING

For safe operation always keep the machine and its ventilation slots clean.


Regularly check to see if any dust or foreign matter has entered the grills near the motor and around the switches. Use a soft brush to remove any accumulated dust. Wear safety glasses to protect your eyes whilst cleaning.

If the body of the tool needs cleaning, wipe it with a soft damp cloth. A mild detergent can be used.

 **WARNING:** Never use alcohol, petrol or other cleaning agent. Never use caustic agents to clean plastic parts.

 **WARNING:** Water must never come into contact with the tool.

CHARGER CLEANING INSTRUCTIONS

 **WARNING:** Disconnect the charger from the AC outlet before cleaning.

- Dirt and grease may be removed from the exterior of the charger using a cloth or soft non-metallic brush. Do not use water or any cleaning solutions.

IMPORTANT! To assure product safety and reliability, repairs, maintenance and adjustment (including brush inspection and replacement) should be performed by certified service centres or other qualified service organisations, always using genuine replacement parts.

X - Environmental Protection

The machine, accessories and packaging should be sorted for environmental-friendly recycling.

For EU-countries only:

Do not dispose of the power tool into household waste! According to the guidelines 2002/96/EC, power tools, which are not usable, should be recycled.

Batteries:



Do not dispose of the power tool or the battery into household waste, fire or water. All type of batteries should be sorted for environmental-friendly recycling or destroyed.

For EU-countries only:

Defective or worn out batteries must be recycled according to the guidelines 91/157/EEC.

XI - Warranty

The guarantee period for SPARKY power tools is determined in the guarantee card.

Faults due to normal wear, overloading or improper handling will be excluded from the guarantee.

Faults due to defective materials implemented as well as defects in workmanship will be corrected free of charge through replacement or repair.

The complaints for defective SPARKY power tools will be recognized if the machine is sent back to the dealer or is presented to the authorised warranty service centre undismantled, in its initial condition.

Notes

Carefully read the entire Original Instructions before using this product.

The manufacturer reserves the right to change specifications without notice.

Specifications may differ from country to country.

Inhalt

I - Einleitung	12
II - Technische Daten.....	14
III - Allgemeine Sicherheitshinweise für Elektrowerkzeuge	15
IV - Zusätzliche Sicherheitshinweise für die Arbeit mit Akku-Bohrschraubern	17
V - Zusätzliche Vorschriften für die Arbeit mit dem Ladegerät.....	17
VI - Zusätzliche Vorschriften für die Arbeit mit den Batterien	18
VII - Elemente des Elektrowerkzeugs	A/20
VIII - Arbeitshinweise	20
IX - Wartung	22
X - Entsorgung.....	23
XI - Garantie	23

AUSPACKEN

Überprüfen Sie unmittelbar nach dem Auspacken ob sämtliche Bestandteile und das beschriebene Zubehör mitgeliefert wurden. Sollte dies nicht der Fall sein, wenden Sie sich bitte umgehend an Ihren Fachhändler bei dem der Akkuschauber gekauft wurde. Dies trifft auch dann zu, wenn Sie den Eindruck haben mit dem Gerät ist etwas nicht in Ordnung. Eine Nichtbeachtung dieser Empfehlung kann zu schweren Unfällen führen.

ZUSAMMENBAU

Die Akku-Bohrschrauber werden verpackt und vollständig montiert geliefert.

I - Einleitung

Das von Ihnen erworbene SPARKY Elektrowerkzeug wird Ihre Erwartungen übersteigen. Es ist gemäß den hohen Qualitätsstandards von SPARKY hergestellt, die den strengen Anforderungen des Verbrauchers entsprechen. Einfach in der Bedienung und ungefährlich bei richtiger Handhabung, wird dieses Gerät bei bestimmungsgemäßem Gebrauch Ihnen lange zuverlässig dienen.



WARNUNG!

Lesen Sie die ganze Bedienungsanleitung aufmerksam durch, bevor Sie das neu erworbene SPARKY – Elektrowerkzeug in Betrieb nehmen. Beachten Sie besonders die Texte, die mit dem Wört „**Warnung**“ beginnen. Ihr SPARKY - Elektrowerkzeug besitzt viele Eigenschaften, die Ihre Arbeit erleichtern werden. Bei der Entwicklung dieses Elektrowerkzeuges ist höchste Aufmerksamkeit der Sicherheit, den Betriebseigenschaften und der Zuverlässigkeit gewidmet worden, die es einfach zur Wartung und Bedienung machen.



Entsorgen Sie das Elektrowerkzeug nicht zusammen mit dem Hausmüll!

Die Abfälle von elektrischen Erzeugnissen sollen nicht zusammen mit dem Hausmüll gesammelt werden. Für eine umweltgerechte Entsorgung geben Sie Ihren alten / defekten Elektrogeräte bitte in der nächsten kommunalen Sammelstelle ab.

UMWELTSCHUTZ



Angesichts des Umweltschutzes sollen das Elektrowerkzeug, die Zubehörteile und die Verpackung zwecks Wiederverwendung der darin enthaltenen Rohstoffe einer geeigneten Wiederverwertung zugeführt werden, Zum sortenreinen Recycling sind die Teile, hergestellt aus Kunststoffen, entsprechend gekennzeichnet.

BEDEUTUNG DER SYMBOLE

Auf dem Typenschild des Elektrowerkzeuges sind spezielle Symbole dargestellt. Sie stellen wichtige Information über das Produkt oder Instruktionen für seine Nutzung dar.



Doppelte Isolierung für zusätzlichen Schutz



Nicht im Freien verwenden



Vor Regen und Feuchtigkeit



Nicht verbrennen



Akku bei Temperaturen zwischen 0°C bis 40°C aufladen



Entspricht den Europäischen Sicherheitsstandards



Entspricht den Anforderungen der russischen normativen Dokumente



Entspricht den Anforderungen der ukrainischen normativen Dokumenten



Lesen Sie die Originalbetriebsanleitung

YYWww

Zeitabschnitt der Produktion, wobei die variablen Symbole sind:
YY- letzte zwei Ziffern des Kalenderjahres der Produktion,
ww - laufende Kalenderwoche

II - Technische Daten

Modell	BR2 7.2Li HD	
▪ Motor:	V	7.2
▪ Leerlaufdrehzahl (I Geschwindigkeit/II Geschwindigkeit)	min ⁻¹	0-190/0-600
▪ Maximales Drehmoment	Nm	13
▪ Drehmomenteinstellung: (Anzahl der Teilstellungen)		19+1
▪ Bohrfutterkapazität	mm	0.6-6
▪ Max. Querschnitt von Bohrern für Stahl / Holz	mm	4 / 6
▪ Maximale Größe von Holzschrauben	mm	6
▪ Elektronische Drehzahleinstellung, Rechts- Links - Lauf		ja
▪ Motorbremse		ja
▪ Selbstarretierende Spindel		ja
▪ Leuchtdiodenbeleuchtung des Arbeitsgebiets		ja
▪ Leuchtdiodenanzeige des Ladevorgangs		ja
▪ Zweistufiges Getriebe		ja
▪ Gewicht (mit Batterie) (EPTA Prozedur 01/2003)	kg	
GERÄUSCH-/VIBRATIONSINFORMATION (Messwerte ermittelt entsprechend EN 60745.)		
▪ Geräuschemissionswerte:		
Der A-bewertete Schalldruckpegel L _{pA}	dB(A)	60
Unsicherheit K _{pA}	dB	3
Der A-bewertete Schalleistungspegel L _{WA}	dB(A)	71
Unsicherheit K _{WA}	dB	3
⚠ Gehörschutz tragen!		
▪ Schwingungsemissionswerte *		
<i>Schwingungsgesamtwerte (Vektorsumme dreier Richtungen) ermittelt entsprechend EN 60745:</i>		
Schwingungsemissionswert a _{h,D}	m/s ²	0.7
Unsicherheit K _{n,D}	m/s ²	0.15
* Messwerte ermittelt nach 6.2.7 EN 60745-1.		
BATTERIE (Li-ion):		
▪ Spannung:	V	7.2
▪ Kapazität	Ah	1.3
LADEGERÄT:		
▪ Eingang:		
Spannung / Frequenz	V~Hz	230~50
Leistungsaufnahme	W	32
▪ Ausgangsspannung / Strom	V/A	8 / 3
▪ Ladezeit	min	30

Der in diesen Anweisungen angegebene Schwingungspegel ist entsprechend einem in EN 60745 genormten Messverfahren gemessen worden und kann für den Vergleich von Elektrowerkzeugen miteinander verwendet werden. Er eignet sich auch für eine vorläufige Einschätzung der Schwingungsbelastung.

Der angegebene Schwingungspegel repräsentiert die hauptsächlichen Anwendungen des Elektrowerkzeugs. Wenn allerdings das Elektrowerkzeug für andere Anwendungen, mit abweichenden Einsatzwerkzeugen oder ungenügender Wartung eingesetzt wird, kann der Schwingungspegel abweichen. Dies kann die Schwingungsbelastung über den gesamten Arbeitszeitraum deutlich erhöhen.

Für eine genaue Abschätzung der Schwingungsbelastung sollten auch die Zeiten berücksichtigt werden, in denen das Gerät abgeschaltet ist oder zwar läuft, aber nicht tatsächlich im Einsatz ist. Dies kann die Schwingungsbelastung über den gesamten Arbeitszeitraum deutlich reduzieren.

Pflegen Sie das Gerät und die Einsatzwerkzeuge mit Sorgfalt. Halten Sie Ihre Hände warm während der Arbeit – dies wird die schädliche Einwirkung erhöhter Schwingungen reduzieren.

Stäube von Materialien wie bleihaltigem Anstrich, einigen Holzarten, Mineralien und Metall können gesundheitsschädlich sein. Berühren oder Einatmen der Stäube können allergische Reaktionen und/oder Atemwegserkrankungen des Benutzers oder in der Nähe befindlicher Personen hervorrufen. Bestimmte Stäube wie Eichen- oder Buchenstaub gelten als krebserzeugend, besonders in Verbindung mit Zusatzstoffen zur Holzbehandlung (Chromat, Holzschutzmittel). Asbesthaltiges Material darf nur von Fachleuten bearbeitet werden.

- Benutzen Sie möglichst eine Staubabsaugung.
- Um bei der Arbeit mit diesem Elektrowerkzeug ein gutes Staubabfangen zu gewährleisten, benutzen Sie einen Staubabsauger, der für Holzstaub oder für Holz- und mineralischen Staub bestimmt ist.
- Sorgen Sie für gute Belüftung des Arbeitsplatzes.
- Es wird empfohlen, eine Atemschutzmaske mit Filterklasse P2 zu tragen.

Beachten Sie in Ihrem Land gültige Vorschriften für die zu bearbeitenden Materialien.

III - Allgemeine Sicherheitshinweise für Elektrowerkzeuge



WARNUNG! Lesen Sie alle Sicherheitshinweise und Anweisungen. Versäumnisse bei der Einhaltung der Sicherheitshinweise und Anweisungen können elektrischen Schlag, Brand und/oder schwere Verletzungen verursachen.

Bewahren Sie alle Sicherheitshinweise und Anweisungen für die Zukunft auf.

Der in den Sicherheitshinweisen verwendete Begriff „Elektrowerkzeug“ bezieht sich auf netzbetriebene Elektrowerkzeuge (mit Netzkabel) und auf akkubetriebene Elektrowerkzeuge (ohne Netzkabel).

1. ARBEITSPLATZSICHERHEIT

- a) Halten Sie Ihren Arbeitsbereich sauber und gut beleuchtet. Unordnung oder unbeleuchtete Arbeitsbereiche können zu Unfällen führen.
- b) Arbeiten Sie mit dem Elektrowerkzeug nicht in explosionsgefährdeter Umgebung, in der sich brennbare Flüssigkeiten, Gase oder Stäube befinden. Elektrowerkzeuge erzeugen Funken, die den Staub oder die Dämpfe entzünden können.
- c) Halten Sie Kinder und andere Personen während der Benutzung des Elektrowerkzeugs fern. Bei Ablenkung können Sie die Kontrolle über das Gerät verlieren.

2. ELEKTRISCHE SICHERHEIT

- a) Der Anschlussstecker des Elektrowerkzeugs muss in die Steckdose passen. Der Stecker darf in keiner Weise verän-

dert werden. Verwenden Sie keine Adapterstecker gemeinsam mit schutzgeerdeten Elektrowerkzeugen. Unveränderte Stecker und passende Steckdosen verringern das Risiko eines elektrischen Schlages.

- b) Vermeiden Sie Körperkontakt mit geerdeten Oberflächen wie von Rohren, Heizungen, Herden und Kühlschränken. Es besteht ein erhöhtes Risiko durch elektrischen Schlag, wenn Ihr Körper geerdet ist.
- c) Halten Sie Elektrowerkzeuge von Regen oder Nässe fern. Das Eindringen von Wasser in ein Elektrowerkzeug erhöht das Risiko eines elektrischen Schlages.
- d) Zweckentfremden Sie das Kabel nicht, um das Elektrowerkzeug zu tragen, aufzuhängen oder um den Stecker aus der Steckdose zu ziehen. Halten Sie das Kabel fern von Hitze, Öl, scharfen Kanten oder sich bewegenden Geräteteilen. Beschädigte oder verwickelte Kabel erhöhen das Risiko eines elektrischen Schlages.
- e) Wenn Sie mit einem Elektrowerkzeug im Freien arbeiten, verwenden Sie nur Verlängerungskabel, die auch für den Außenbereich geeignet sind. Die Anwendung eines für den Außenbereich geeigneten Verlängerungskabels verringert das Risiko eines elektrischen Schlages.
- f) Wenn der Betrieb des Elektrowerkzeuges in feuchter Umgebung nicht vermeidbar ist, verwenden Sie einen Fehlerstromschutzschalter. Der Einsatz eines Fehlerstromschutzschalters vermindert das Risiko eines elektrischen Schlages.

3. SICHERHEIT VON PERSONEN

- a) Seien Sie aufmerksam, achten Sie darauf, was Sie tun, und gehen Sie mit Vernunft an die Arbeit mit einem Elektrowerkzeug. Benutzen Sie kein Elektrowerk-

zeug, wenn Sie müde sind oder unter dem Einfluss von Drogen, Alkohol oder Medikamenten stehen. Ein Moment der Unachtsamkeit beim Gebrauch des Elektrowerkzeuges kann zu ernsthaften Verletzungen führen.

- b) Tragen Sie persönliche Schutzausrüstung und immer eine Schutzbrille. Das Tragen persönlicher Schutzausrüstung, wie Staubmaske, rutschfeste Sicherheitsschuhe, Schutzhelm oder Gehörschutz, je nach Art und Einsatz des Elektrowerkzeuges, verringert das Risiko von Verletzungen.
- c) Vermeiden Sie eine unbeabsichtigte Inbetriebnahme. Vergewissern Sie sich, dass das Elektrowerkzeug ausgeschaltet ist, bevor Sie es an die Stromversorgung und/oder den Akku anschließen, es aufnehmen oder tragen. Wenn Sie beim Tragen des Elektrowerkzeuges den Finger am Schalter haben oder das Gerät eingeschaltet an die Stromversorgung anschließen, kann dies zu Unfällen führen.
- d) Entfernen Sie Einstellwerkzeuge oder Schraubenschlüssel, bevor Sie das Elektrowerkzeug einschalten. Ein Werkzeug oder Schlüssel, der sich in einem drehenden Geräteteil befindet, kann zu Verletzungen führen.
- e) Vermeiden Sie eine abnormale Körperhaltung. Sorgen Sie für einen sicheren Stand und halten Sie jederzeit das Gleichgewicht. Dadurch können Sie das Elektrowerkzeug in unerwarteten Situationen besser kontrollieren.
- f) Tragen Sie geeignete Kleidung. Tragen Sie keine weite Kleidung oder Schmuck. Halten Sie Haare, Kleidung und Handschuhe fern von sich bewegenden Teilen. Lockere Kleidung, Schmuck oder lange Haare können von sich bewegenden Teilen erfasst werden.
- g) Wenn Staubabsaug- und -auffangeinrichtungen montiert werden können, vergewissern Sie sich, dass diese angeschlossen sind und richtig verwendet werden. Verwendung einer Staubabsaugung kann Gefährdungen durch Staub verringern.

4. VERWENDUNG UND BEHANDLUNG DES ELEKTROWERKZEUGES

- a) Überlasten Sie das Gerät nicht. Verwenden Sie für Ihre Arbeit das dafür bestimmte Elektrowerkzeug. Mit dem passenden Elektrowerkzeug arbeiten Sie besser und

sicherer im angegebenen Leistungsbereich.

- b) Benutzen Sie kein Elektrowerkzeug, dessen Schalter defekt ist. Ein Elektrowerkzeug, das sich nicht mehr ein- oder ausschalten lässt, ist gefährlich und muss repariert werden.
- c) Ziehen Sie den Stecker aus der Steckdose und/oder entfernen Sie den Akku, bevor Sie Geräteeinstellungen vornehmen, Zubehörteile wechseln oder das Gerät weglegen. Diese Vorsichtsmaßnahme verhindert den unbeabsichtigten Start des Elektrowerkzeuges.
- d) Bewahren Sie unbenutzte Elektrowerkzeuge außerhalb der Reichweite von Kindern auf. Lassen Sie Personen das Gerät nicht benutzen, die mit diesem nicht vertraut sind oder diese Anweisungen nicht gelesen haben. Elektrowerkzeuge sind gefährlich, wenn Sie von unerfahrenen Personen benutzt werden.
- e) Pflegen Sie Elektrowerkzeuge mit Sorgfalt. Kontrollieren Sie, ob bewegliche Teile einwandfrei funktionieren und nicht klemmen, ob Teile gebrochen oder so beschädigt sind, dass die Funktion des Elektrowerkzeuges beeinträchtigt ist. Lassen Sie beschädigte Teile vor dem Einsatz des Gerätes reparieren. Viele Unfälle haben ihre Ursache in schlecht gewarteten Elektrowerkzeugen.
- f) Halten Sie Schneidwerkzeuge scharf und sauber. Sorgfältig gepflegte Schneidwerkzeuge mit scharfen Schneidkanten verklemmen sich weniger und sind leichter zu führen.
- g) Verwenden Sie Elektrowerkzeug, Zubehör, Einsatzwerkzeuge usw. entsprechend diesen Anweisungen. Berücksichtigen Sie dabei die Arbeitsbedingungen und die auszuführende Tätigkeit. Der Gebrauch von Elektrowerkzeugen für andere als die vorgesehenen Anwendungen kann zu gefährlichen Situationen führen.

5. SERVICE

- a) Lassen Sie Ihr Elektrowerkzeug nur von qualifiziertem Fachpersonal und nur mit Original-Ersatzteilen reparieren. Damit wird sichergestellt, dass die Sicherheit des Elektrowerkzeuges erhalten bleibt.

IV - Zusätzliche Sicherheitshinweise für die Arbeit mit Akku-Bohrschraubern

- Beachten Sie bitte, dass das Werkzeug bei eingesetzter und geladener Batterie immer einsatzbereit ist da es unabhängig vom Stromnetz arbeitet. Stellen Sie immer den Schalter auf die Stellung AUS, wenn Sie die Batterie einsetzen oder herausnehmen.
- Wenn es möglich ist verwenden Sie eine Klemme oder einen Schraubstock, um das zu bearbeitende Material zu fixieren.
- Unmittelbar nach der Arbeit mit der Bohrmaschine den Bohrer nicht berühren. Er ist sehr heiß.
- Wenn Sie mit einer Bohrmaschine arbeiten, verwenden Sie eine Schutzausrüstung, die Schutzbrille und Gehörschutz beinhaltet. Tragen Sie eine Staubschutzmaske, wenn sich beim Bohren Staub bildet.
- Der Staub, der sich beim Bohren von Materialien bildet, die Quarz enthalten (Siliziumdioxid), schadet Ihrer Gesundheit. Materialien, die Asbest enthalten dürfen nicht bearbeitet werden.
- Das Elektrowerkzeug darf nur für den entsprechenden Zweck verwendet werden. Jeder anderer Gebrauch, der sich von dem in dieser Gebrauchsanleitung beschriebenen Zwecken unterscheidet, wird als inkorrekt angesehen. Die Verantwortung für alle Schäden oder Verletzungen, die von einem inkorrekten Gebrauch verursacht werden, wird vom Verbraucher getragen und nicht vom Hersteller.
- Um mit diesem Elektrowerkzeug richtig zu arbeiten, müssen Sie die hier gegebenen Sicherheitshinweise, die allgemeinen Vorschriften und Arbeitshinweise befolgen. Alle Nutzer sollten diese Gebrauchsanleitung kennen und mit den potenziellen Risiken bei der Arbeit mit diesem Elektrowerkzeug bekannt gemacht werden. Kinder und körperlich schwache Personen dürfen mit dem Elektrowerkzeug nicht arbeiten. Kinder müssen unter ständiger Kontrolle sein, wenn sie sich in der Nähe befinden und man mit dem Elektrowerkzeug arbeitet. Es ist unbedingt notwendig, dass Sie die örtlichen Unfallverhütungsvorschriften beachten. Das gleiche gilt für die Vorschriften zur Arbeitssicherheit.
- Der Hersteller trägt keine Verantwortung für vom Verbraucher gemachte Änderungen am Elektrowerkzeug oder für Schäden, die von

solchen Änderungen verursacht wurden.

Sogar, wenn das Elektrowerkzeug für die entsprechende Zwecke verwendet wird, ist es nicht möglich alle restlichen Risikofaktoren zu eliminieren.

Die unten genannten Gefahren können im Zusammenhang mit den Konstruktionsbesonderheiten und dem Design des Elektrowerkzeugs entstehen.

- Lungenprobleme, wenn man keine effektive Staubschutzmaske verwendet.
- Hörprobleme, wenn man keinen effektiven Gehörschutz verwendet.

V - Zusätzliche Vorschriften für die Arbeit mit dem Ladegerät

- Bevor Sie das Ladegerät verwenden, lesen Sie bitte alle Hinweise und Warnungen, die sich an ihm und dem Batteriesatz befinden, sowie auch die Gebrauchshinweise für die Batterien.
- Laden Sie Ihre Batterien nur in geschlossenen aber gut belüfteten Räumen.



WARNUNG: Wenn die Batterie in irgendeiner Weise beschädigt wurde, setzen Sie sie nicht in das Ladegerät ein. Es besteht die Gefahr eines Stromschlags.



WARNUNG: Lassen Sie nicht zu, dass Wasser in das Ladegerät eintritt. Es besteht die Gefahr eines Stromschlags.

- Das Ladegerät ist nur für die Arbeit mit einer SPARKY-Batterie, die im Lieferumfang ist, vorgesehen. Die Anwendung jeder anderen Batterie kann einen Brand oder Stromschlag verursachen.
- Das Ladegerät und die im Lieferumfang enthaltene Batterie sind speziell aufeinander abgestimmt. Laden Sie die Batterie nicht mit einem anderen Ladegerät.
- Legen Sie keine Gegenstände auf das Ladegerät, weil dies zu einer Überhitzung führen kann. Lagern Sie das Ladegerät nicht in der Nähe von Wärmequellen.
- Wenn Sie das Ladegerät vom Stromnetz tren-

nen wollen, ziehen Sie das Kabel nicht aus dem Ladegerät.

- Legen Sie das Netzanschlusskabel des Ladegerätes so, das nicht draufgetreten werden kann, man nicht drüber stolpert oder die Gefahr einer Beschädigung besteht.
- Verwenden Sie keine Verlängerungskabel, außer wenn es unbedingt notwendig ist. Die Anwendung eines ungeeigneten Verlängerungskabels kann einen Brand oder Stromschlag verursachen.
- Benutzen Sie das Ladegerät nicht, wenn es einen starken Schlag bekommen hat, fallen gelassen wurde oder auf sonst irgendeine Weise beschädigt wurde. Arbeiten Sie mit dem Ladegerät nicht, wenn sein Kabel oder die Steckdose beschädigt sind – sie müssen sofort gewechselt werden. Geben Sie das Ladegerät einem autorisierten Service zur Kontrolle oder Reparatur.
- Falls das Versorgungskabel beschädigt wird, sollte der Ersatz nur durch den Hersteller oder durch einen seiner Servicetechniker durchgeführt werden.
- Nehmen Sie das Ladegerät nicht auseinander. Für Reparaturarbeiten wenden Sie sich an einen autorisierten Service. Eine fehlerhafte Montage kann einen Brand oder Stromschlag verursachen.
- Um das Risiko eines Stromschlags zu mindern, vor einer Reinigung, trennen Sie das Ladegerät von der Stromversorgung. Die Entnahme der Batterie selbst mindert dieses Risiko nicht.
- Versuchen Sie nie zwei Ladegeräte miteinander zu verbinden.
- Lagern Sie und verwenden Sie das Ladegerät und die Batterien nicht in Räumen, in denen die Temperatur +40°C oder mehr übersteigt, z.B. Vordächer, Wohnwagen oder Metallkonstruktionen im Sommer.
- Dieses Ladegerät ist für ein normales Stromnetz mit einer Spannung (230-240 V) vorgesehen. Versuchen Sie nicht das Ladegerät an einem Stromnetz mit anderer Versorgungsspannung zu betreiben.
- Wenn Sie eine weitere Batterie laden wollen, trennen Sie das Ladegerät vom Versorgungsnetz und lassen Sie es sich mindestens 15 Minuten lang abkühlen. Erst nach dieser Zeit können Sie die nächste Batterie laden.
- Unter bestimmten Bedingungen, kann bei einem Ladegerät, welches im Versorgungsnetz angeschlossen ist, ein Fremdkörper einen Kurzschluss zwischen den offenen Kontakten

im Ladegerät verursachen. Leitfähige Materialien, z.B. Stahlwolle, Alu-Folie, oder sonstige metallische Materialien, müssen weit von den Ladegerätöffnungen aufbewahrt werden. Trennen Sie das Ladegerät immer vom Netz wenn Sie keine Batterie aufladen.

- Frieren Sie das Ladegerät nicht ein oder tauchen Sie es nicht in Wasser oder andere Flüssigkeiten ein.

VI - Zusätzliche Vorschriften für die Arbeit mit den Batterien

Die Batterie für dieses Elektrowerkzeug wird nicht voll aufgeladen geliefert. Vor dem Arbeitsbeginn muss die Batterie voll geladen werden.



WARNUNG: Falls die Batterie Risse hat oder auf irgendeiner anderen Weise beschädigt ist, legen Sie sie nicht in das Ladegerät ein. Es besteht die Gefahr eines Stromschlags.

- Maximale Lebensdauer und Betriebseigenschaften können nur erreicht werden, wenn die Batterie bei einer Umgebungstemperatur von 18°C–24°C geladen wird. Bei einer Umgebungstemperatur unter +4°C oder über +40°C darf die Batterie nicht geladen werden. Das ist von großer Bedeutung und ist eine Voraussetzung für die Verhinderung von ernsthaften Beschädigungen der Batterie.
- Während des Ladevorgangs können das Ladegerät und die Batterie warm werden. Das ist normal und ist kein Zeichen für Probleme.
- Um eine Überhitzung zu verhindern, laden Sie die Batterien nicht unter direkter Sonneneinstrahlung, wenn das Wetter heiß ist, oder in der Nähe von Wärmequellen.
- Laden Sie die Batterie nicht in einer Kabine oder einem Container. Während des Ladevorgangs muss sich die Batterie in einem gut belüfteten Raum befinden.
- Bei einer defekten Akkubatterie könnte von ihr Elektrolyt herausfließen, in folge dessen die Nebenbauteile beschädigt zu werden. Prüfen Sie die daneben eingebauten Bauteile, reinigen Sie die Letzten und falls erforderlich ersetzen Sie diese.
- Wenn die Batterie nicht normal geladen wird:
 - (1) Überprüfen Sie, mit Hilfe einer Lampe oder

eines Spannungsprüfers, ob die Steckdose Spannung hat.

(2) Wechseln Sie den Platz des Ladegeräts und stellen Sie es an einer Stelle auf, wo die Umgebungstemperatur ca. 18°C–24°C ist.

(3) Wenn es trotzdem Probleme mit der Ladung der Batterie gibt, bringen Sie oder schicken Sie das Elektrowerkzeug zusammen mit der Batterie und dem Ladegerät zum Service.

- Die Batterie muss geladen werden, wenn sie nicht mehr genug Leistung für Arbeiten produziert, die vorher mit ihr leicht gemacht wurden. In dem Falle ARBEIT STILLLEGEN. Beginnen Sie die Batterie zu laden. Die Li-Ion Akku-Batterie kann jederzeit geladen werden, ohne das ihre Lebensdauer reduziert wird. Eine Ladungsunterbrechung kann keine Störungen verursachen.
- Verbrennen Sie keine Batterien, auch wenn sie ernsthafte Schäden haben, oder nicht mehr geladen werden können. Die Batterien können im Feuer explodieren.
- Um nach der Arbeit die Batterie leichter abkühlen zu können, wenn das Wetter heiß ist, vermeiden Sie das Ladegerät oder die Batterie unter einem Metallvordach oder im Wohnwagen ohne Wärmedämmung zu benutzen.



WARNUNG: Versuchen Sie nie die Batterie zu öffnen. Wenn der Kunststoffkörper der Batterie beschädigt ist oder Risse bekommen hat, geben Sie die Batterie zur nächsten kommunalen Sammelstelle für Elektrogeräte.

BEVOR SIE DIE BATTERIE FÜR ELEKTROWERKZEUG LADEN, LESEN SIE ALLE ANGABEN IM ABSCHNITT ÜBER DAS LADEGERÄT.

- Verwenden Sie immer die entsprechende Batterie SPARKY (die mit dem Elektrowerkzeug mitgelieferte Batterie oder eine Original-Ersatzbatterie). Legen Sie nie eine andere Batterie ein. Das wird das Elektrowerkzeug beschädigen und kann eine gefährliche Situation verursachen.
- Laden Sie die Batterien nur mit den SPARKY Ladegeräten.
- Werfen Sie die Batterien nicht zusammen mit dem Haushaltsmüll weg. Batterien müssen getrennt gesammelt werden und gemäß den Umweltschutzvorschriften zum Recycling gegeben werden.

EINLEGEN UND HERAUSNEHMEN DER BATTERIE

Um die Batterie herauszunehmen: drücken Sie die Taste für die Freigabe der Batterie (9) und ziehen Sie sie aus dem Elektrowerkzeug heraus.



WARNUNG: Stellen Sie immer den Umschalter für Wechseln der Drehrichtung (3) in die Mittelposition bevor sie irgendwelche Arbeiten an dem Werkzeug durchführen, wie z.B. Einbauen und Laden der Batterie, Austausch eines Einsatzwerkzeuges, Transport, Wartung oder Lagerung des Elektrowerkzeuges.

Einsetzen der Batterie: Setzen Sie die Batterie in die Öffnung am unteren Ende des Elektrowerkzeuges ein bis Sie ein typisches Klicken hören.

BATTERIE LADEN

- Stecken Sie den Stecker des Ladegeräts in den Kontakt ein. Auf dem Anzeiger des Ladegeräts (10) wird die grüne Leuchtdiode aufleuchten, welche eine Versorgungsspannung im Gerät anzeigt.
- Legen Sie die Batterie (5) in den Einsatz des Ladegeräts (9), wobei Sie auf die den richtigen Sitz der Pole achten. Bild 1
- Die neuen Batterien funktionieren optimal nach 5 Ladezyklen. Batterien die über einen längeren Zeitraum nicht benutzt wurden müssen 2-3-mal ge- und entladen werden bis sie wieder optimal funktionieren.
- Wenn sich die Nutzungsdauer einer Batterie trotz voller Ladung wesentlich reduziert hat, ist ihre Lebensdauer überschritten. In diesem Fall ist es nötig, die Batterie umgehend auszutauschen.



WARNUNG: Die Batterie wird innerhalb 30 Minuten voll geladen. Nach dieser Zeit nehmen Sie die Batterie aus dem Ladegerät heraus.

Anzeige für die Ladung :

- Beim Stecken des Ladegeräts in den Kontakt leuchtet die grüne Leuchtdiode auf.
- Nach dem Einsetzen der Batterie in das Ladegeräts wird die grüne Leuchtdiode erlöschen und es wird die rote Leuchtdiode aufleuchten, welche den Ladevorgang anzeigt.

Während des Ladevorgangs können das Ladegerät

rät und die Batterie warm werden. Das ist normal und ist kein Zeichen für Probleme.

- Nachdem Ladevorgang, der je nach Restladung bis zu 30 Minuten dauert, wird die rote Leuchtdiode erlöschen und die grüne Leuchtdiode wird wieder aufleuchten.

Das Lagegerät hat eine einen Wärmeschutz um die Batterie von Überladung zu schützen. Trotzdem empfehlen wir nach dem Ladevorgang die Batterie aus dem Ladegerät herauszunehmen. Zusätzlich können Sie einen elektrischen Uhrschalter (Timer) benutzen, um die genaue Ladezeit zu kontrollieren.

TIPPS FÜR EINE LÄNGERE LEBENSDAUER DER BATTERIE

- Wenn Sie die Batterie nicht benutzen, halten Sie sie weit von Klammern, Münzen, Nägeln, Schrauben und anderen kleinen Metallgegenständen, die ihre Klemmen kurz schließen können, entfernt. Der Kontakt der Batterieklemmen mit Metall kann zu einem Kurzschluss führen und einen Brand oder Explosion verursachen.
- Ziehen Sie immer den Stecker des Ladegeräts wenn Sie es nicht benutzen und lagern Sie es an einer trockenen und sicheren Stelle.
- Laden Sie keine Batterien und lagern Sie das Ladegerät nicht in Räumen, in denen die Temperatur unter 0°C fallen kann oder über +40°C steigen kann.

VII - Elemente des Elektrowerkzeugs

Bevor Sie mit dem Elektrowerkzeuges zu arbeiten beginnen, lesen Sie zuerst alle Arbeitsbesonderheiten und Sicherheitsbedingungen. Verwenden Sie das Elektrowerkzeug und das Zubehör nur für die entsprechende Zwecke. Jede andere Anwendung ist absolut verboten.

1. Schnellspann-Bohrfutter
2. Gangumschalter
3. Drehrichtungs-Umschalter
4. Tasten für die Batterie
5. Batterie
6. Schalter
7. Leuchtdiodenbeleuchtung des Arbeitsplatzes
8. Drehmomentregler
9. Ladegerät
10. Leuchtdiodenanzeige des Ladegeräts

VIII - Arbeitshinweise

LEUCHTDIODENBELEUCHTUNG DES ARBEITSPLATZES

Das Elektrowerkzeug ist mit einer LED Beleuchtung (7) für die Ausleuchtung des Arbeitsbereiches und an schwach beleuchteten Orten ausgestattet.

Die LED Beleuchtung ist eingeschaltet, wenn der Schalter (6) gedrückt ist.

WAHL DER DREHRICHTUNG

Die Hebelstellung ganz rechts (3) (von hinten gesehen) bedeutet Drehen entgegen dem Uhrzeigersinn, und Hebelstellung ganz links – im Uhrzeigersinn. Wenn der Schalter (6) gedrückt ist kann man den Hebel (3) nicht betätigen. (Bild 3)



WARNUNG: Das Wechseln der Drehrichtung darf nur beim Stillstand der Spindel erfolgen.

Zum Bohren von Löchern und zum Einschrauben von Schrauben schieben Sie den Umschalter nach links. Zum Lösen von Schrauben schieben Sie den Umschalter nach rechts.

EIN- UND AUSSCHALTEN

Einschalten: Schalter (6) drücken.

Ausschalten: Schalter (6) loslassen.

Das Elektrowerkzeug besitzt eine Motorbremse. Die Spindel stoppt sofort wenn Sie den Schalter loslassen.

STUFENLOSE ELEKTRONISCHE DREHZAHLEGELUNG



Wenn Sie den Schalter (6) leicht drücken, beginnt der Bohrschrauber mit niedrigen Drehzahlen zu arbeiten, die mit dem Drücken des Schalters bis zum Ende sich stufenlos bis zum Maximum erhöhen lassen.

REHMOMENTREGELUNG

Drehen Sie den Ring hinter dem Bohrfutter, um den Drehmomentregler (8) in eine der 19 Einstellungen und wählen Sie das für ihre Arbeit passende Drehmoment.

Die Einstellungen des Drehmomentreglers (8) erlauben eine bessere Kontrolle über das Elektrowerkzeug, wenn es als Schraubenzieher verwendet wird, wobei man auf dieser Weise ein zu starkes Eindrehen der Schrauben vermeidet.

Das Drehmoment wird mit einer der Zahlen, die um den Ring markiert sind, gekennzeichnet. Je größer die Zahl, die auf dem Ring markiert ist, desto höher ist das Drehmoment. Um das richtige Drehmoment zu wählen, drehen Sie den Ring bis die entsprechende Ziffer vor dem Pfeil auf dem Maschinengehäuse steht.

	<p>Schrauben Stellen Sie den Drehmomentregler (8) in eine der 19 Positionen. Ein niedriges Drehmoment ist für Einschrauben von Schrauben mit kleinerem Durchmesser sowie in einem Material mit niedriger Härte geeignet. Ein höheres Drehmoment ist für Einschrauben von Schrauben mit einem größeren Durchmesser und in Material mit größerer Härte geeignet.</p>
	<p>Bohren Stellen Sie den Drehmomentregler (8) auf das jeweilige Symbol, um in Metall, Holz u.a. zu bohren. Das Elektrowerkzeug ist mit einer Bremse ausgerüstet. Die Spindel stoppt sofort wenn der Hebel des Umschalters nach unten gesetzt wird. Bei zu großer Belastung während des Bohrbetriebes legen Sie eine kurze Pause ein um eine Beschädigung des Motors durch die Überlastung zu verhindern.</p>

GANG UMSCHALTER (Bild 3)

Der Zwei-Stufen-Umschalter für die Geschwindigkeit (2) erlaubt die Wahl des richtigen Ganges mit optimalen Geschwindigkeit und Drehmoment für die konkrete Anwendung.



WARNUNG: Wechseln Sie die Gänge nur bei ausgeschaltetem Werkzeug

- Um einen niedrigen Gang zu wählen (niedrige Geschwindigkeit, hohes Drehmoment), schieben Sie den Gangumschalter (2) nach hinten. Die auf dem Umschalter markierte Ziffer 1 zeigt die gewählte Geschwindigkeit.
- Um einen höheren Gang zu wählen (hohe Geschwindigkeit, niedriges Drehmoment), schieben Sie den Gangumschalter (2) nach vorn. Die auf dem Umschalter markierte Ziffer 2 zeigt die gewählte Geschwindigkeit.

EIN-UND AUSBAUEN EINES ARBEITSWERKZEUGES (Bild 4)



WARNUNG: Nehmen Sie die Batterie heraus oder stellen Sie den Umschalter zum Wechseln der Drehrichtung (3) in die mittlere (neutralen) Position (A).

Der Bohrschrauber ist mit einer Selbstarretier-spindel versehen. Das bedeutet, dass wenn Sie das Bohrfutter per Hand drehen wollen, die Spindel automatisch blockiert. Um ein Werkzeug zu montieren oder zu demontieren oder seine Länge einzustellen müssen Sie das Bohrfutter festhalten und seinen Körper drehen.

- Greifen Sie die Maschine mit einer Hand ein und drehen Sie das Futter mit der anderen Hand.
- Um das Futter zu öffnen drehen Sie es im Gegenuhrzeigersinn. (B)
- Um das Futter zu schliessen drehen Sie es im Uhrzeigersinn. (D)
- Setzen Sie das Werkzeug in das Bohrfutter. (C)
- Schliessen Sie das Futter.
- Lassen Sie den Bohrschrauber einen kurzen Moment ohne Belastung laufen um zu prüfen, ob das Arbeitswerkzeug richtig zentriert ist und korrekt und sicher sitzt.

BOHRFUTTERWECHSEL



WARNUNG: Der Bohrfutterwechsel sollte nur in autorisierten Servicestellen durchgeführt werden. Bitte, versuchen Sie nicht das Futter mit verfügbarem Werkzeug zu wechseln, das kann den Akku-Boherschrauber beschädigen.

BOHREN VON LÖCHERN

Metall bohren

- Um ein gutes Ergebnis zu erreichen, verwenden Sie Bohrer aus Schnellschneidendem Stahl für Metalle.
- Stellen Sie den Drehmomentregler (8) in die Stellung für Bohren (Symbol "Bohrer").
- Beginnen Sie langsam zu bohren, damit der Bohrer nicht abrutscht.
- Das Werkstück immer gut befestigen.
- Dünne Bleche mit Holzblöcken fixieren, damit sie nicht rutschen.
- Markieren Sie das Zentrum der Bohrung mit der Hilfe eines scharfen Gegenstands.
- Verwenden Sie ein Schmiermittel, welches für das zu bearbeitende Material geeignet ist.

Material	Schmiermittel
Stahl	Schmierfett
Aluminium	Terpentin oder Paraffin
Messing, Kupfer, Gusseisen	Kein Schmiermittel notwendig

Kunststoff und mit Kunststoff verkleidete Spanplatten bohren

- Verwenden sie Bohrer aus schnellschneidendem Stahl.
- Lesen Sie unten den Abschnitt „Holz bohren“

Holz bohren

- Um ein gutes Ergebnis zu erreichen, verwenden Sie Bohrer aus schnellschneidendem Stahl für Holz.
- Stellen Sie den Drehmomentregler (8) in die Stellung für Bohren (Symbol "Bohrer").
- Beginnen Sie langsam zu bohren, damit der Bohrer nicht abrutscht. Die Geschwindigkeit erhöhen, wenn der Bohrer in das Material geht.
- Wenn Sie eine Durchgangsöffnung bohren, stellen Sie ein Stück Holz unter das Material, das Sie bearbeiten, um ein Zerreißen oder Aufspaltung vom hinteren Teil der Öffnung zu vermeiden.

Alle Bohrungsarbeiten

- Nur scharfe Bohrer benutzen.
- Zuerst mit einem Pfriem oder Nagel das Zentrum der Bohrung markieren.

SCHRAUBEN

Ein passendes Drehmoment wählen, wobei Sie eine der Zahlen, die auf dem Drehmomentregler (2) markiert sind, gegenüber dem Pfeil auf dem Gehäuse stellen.

Setzen Sie den benötigten Aufsatz ein.



WARTUNG: Zu starkes Festziehen kann einen Bruch der Schraube oder eine Beschädigung des Aufsatzes verursachen.



WARTUNG: Wenn man, beim Festziehen einer Schraube, die Maschine abgewinkelt gegen die Schraube hält, kann der Schraubkopf kaputt gehen oder das Drehmoment wird sich nicht voll auf die Schraube übertragen. Halten Sie immer die Maschine und die Schraube, die Sie festziehen, auf einer Linie.

IX - Wartung



WARNUNG: Stellen Sie immer den Umschalter für Wechseln der Drehrichtung (6) in der Mittelposition bevor sie irgendwelche Arbeiten an dem Werkzeug durchführen, wie z.B. Einbauen und Laden der Batterie, Austausch eines Arbeitswerkzeugs, Transport, Wartung oder Lagerung des Elektrowerkzeuges.

Überprüfen Sie regelmäßig, ob die Schrauben des Gehäuses gut festgezogen sind. Bei einer andauernden Anwendung können sich die Schrauben durch Vibrationen lockern.

REINIGEN

Aus Sicherheitsgründungen halten Sie immer die Maschine und die Lüftungsöffnungen sauber. Überprüfen Sie regelmäßig, ob im Lüftungsgitter in der Nähe des Motors oder um die Umschalter kein Staub oder keine Fremdkörper eingedrungen sind. Verwenden Sie eine weiche Bürste für die Entfernung des Staubs. Um Ihre Augen zu schützen, tragen Sie während der Reinigung eine Schutzbrille.

Falls der Maschinenkörper gereinigt werden soll, wischen Sie ihn mit einem weichen feuchten Tuch ab. Sie können eine schwache Spülmittellösung verwenden.



WARTUNG: Die Verwendung von Alkohol, Benzin oder andere Lösungsmittel ist untersagt. Verwenden Sie nie aggressive Mittel für die Reinigung der Kunststoffteile.



WARTUNG: Das Eindringen von Wasser in die Maschine ist unbedingt zu vermeiden.

Anweisungen für Reinigung des Ladegeräts:



WARNUNG: Vor der Reinigung schalten Sie das Ladegerät von dem Stromnetz aus.

- Verschmutzten und verölten Aussenteile des Ladegeräts sind mit einem Tuch oder mit weicher Drahtbürste zu reinigen. Verwenden Sie dafür kein Wasser oder Lösmittel.

WICHTIG! Um eine sichere Arbeit mit dem Elektrowerkzeug und seine Zuverlässigkeit zu gewährleisten, dürfen alle Reparatur-, Wartungs- und Einstellarbeiten in den autorisierten SPARKY-Servicestellen bei Verwendung von Originalersatzteilen durchgeführt werden.

X- Entsorgung

Elektrowerkzeuge, Zubehör und Verpackungen sollen einer umweltgerechten Wiederverwertung zugeführt werden.

Nur für EU-Länder:

Werfen Sie Elektrowerkzeuge nicht in den Hausmüll! Gemäß der Europäischen Richtlinie 2002/96/EG über Elektro- und Elektronik-Altgeräte und ihrer Umsetzung in nationales Recht müssen nicht mehr gebrauchsfähige Elektrowerkzeuge getrennt gesammelt und einer umweltgerechten Wiederverwertung zugeführt werden.

Akkus/Batterien:



Werfen Sie Akkus/Batterien nicht in den Hausmüll, ins Feuer oder ins Wasser. Akkus/Batterien sollen gesammelt, recycelt oder auf umweltfreundliche Weise entsorgt werden.

Nur für EU-Länder:

Gemäß der Richtlinie 91/157/EWG müssen defekte oder verbrauchte Akkus/Batterien recycelt werden.

XI - Garantie

Die Garantiefrist der SPARKY-Elektrowerkzeuge wird im Garantieschein bestimmt.

Schäden, die auf natürliche Abnutzung, Überlastung oder unsachgemäße Handhabung zurückzuführen sind, bleiben von der Garantie ausgeschlossen.

Schäden, die durch Material- und/oder Herstellerfehler entstanden sind, werden unentgeltlich durch Ersatzlieferung oder Reparatur beseitigt.

Beanstandungen bezüglich eines beschädigten SPARKY-Elektrowerkzeugs können nur anerkannt werden, wenn das Gerät unzerlegt (im ursprünglichen Zustand) dem Lieferanten oder der befugten Kundendienstwerkstatt vorgelegt wird.

Bemerkungen

Lesen Sie aufmerksam die ganze Bedienungsanleitung, bevor Sie mit der Benutzung dieses Produktes beginnen.

Der Hersteller behält sich das Recht vor, Verbesserungen und Änderungen in seinen Erzeugnissen und in den Spezifikationen ohne Voranmeldung vorzunehmen.

Die Spezifikationen können für die verschiedenen Länder unterschiedlich sein.

Table des matières

I - Introduction	24
II - Caractéristiques techniques	26
III - Instructions générales de sécurité lors du travail avec des outils électroportatifs	27
IV - Instructions supplémentaires de sécurité lors du travail avec des perceuses sans fil	28
V - Règles supplémentaires pour le travail avec le chargeur	29
VI - Consignes supplémentaires pour le travail avec les batteries	30
VII - Description de l'outil électroportatif	A/32
VIII - Consignes de travail	32
IX - Maintenance	34
X - Elimination de déchets	34
XI - Garantie	35

DEBALLAGE

Grâce aux techniques modernes de fabrication, il est improbable que votre outil soit défectueux ou qu'une pièce soit manquante. Si toutefois vous trouvez une anomalie, n'utilisez pas l'outil avant que les pièces aient été remplacées ou le défaut corrigé. Ne pas observer cette règle pourrait causer des blessures graves.

MONTAGE

La perceuse sans fil est livrée emballée et complètement assemblée.

I - Introduction

Votre nouvel instrument a été conçu et produit selon tous les standards de qualité pour répondre aux exigences les plus élevées. Son exploitation est facile et sécurisée. Et avec une utilisation correcte il vous servira longtemps.



AVERTISSEMENT!

Lire attentivement les instructions avant d'utiliser votre nouvel outil. Prêter attention aux sections «**Avertissement**». Votre outil électrique possède des caractéristiques qui facilitent votre travail. Cet instrument a été conçu et produit selon toutes les exigences de sécurité pour que son usage et son entretien soient faciles.



Ne pas jeter les outils électroportatifs avec les ordures ménagères!

Les déchets provenant d'outils électriques ne doivent pas être ramassés avec les ordures ménagères. Prière de recycler sur les lieux qui y sont spécialement destinés. Contacter les autorités locales ou un représentant pour des consultations concernant le recyclage.

RESPECT DE L'ENVIRONNEMENT



Récupération des matières premières plutôt qu'élimination des déchets.

En vue à la protection de l'environnement, les appareils, comme d'ailleurs leurs accessoires et emballages, doivent pouvoir suivre chacun une voie de recyclage appropriée. Nos pièces en matières artificielles ont été marquées en vue d'un recyclage sélectif des différents matériaux.

LÉGENDE

L'outil électrique porte une plaque décrivant les signes spéciaux. Ils apportent une information importante quant au produit ou des instructions d'utilisation.



Double isolation pour une meilleure sécurité



Usage interne uniquement



Ne pas exposer à la pluie ou à l'eau



Ne pas brûler



Toujours charger la batterie à des températures comprises entre 0°C et 40°C



Conforme aux normes de sécurité européennes



En conformité avec les exigences des standards Russes



En conformité avec les exigences des standards ukrainiens



Prenez connaissance de l'instruction d'utilisation

YYWww

Période de production, où, le symboles variables sont les suivants :
YY- les deux derniers chiffres de l'année de production,
ww – le numéro de la semaine du calendrier

II - Caractéristiques techniques

Modèle	BR2 7.2Li HD	
▪ Moteur électrique:	V	7.2
▪ Vitesse à vide (I vitesse/II vitesse)	min ⁻¹	0-190/0-600
▪ Couple moteur maximal	Nm	13
▪ Réglage du couple moteur (nombre de positions du régulateur)		19+1
▪ Capacité du mandrin	mm	0.6-6
▪ Diamètre maximum des forets acier / bois	mm	4 / 6
▪ Diamètre maximal des vis à bois	mm	6
▪ Réglage électronique de la vitesse de rotation à gauche – à droite		oui
▪ Frein électrique		oui
▪ Arbre moteur autobloquant		oui
▪ Illumination par diodes de la zone de travail		oui
▪ Indication par diodes de la charge batterie		oui
▪ Transmission à deux vitesses		oui
▪ Poids (avec la batterie) (Procédure EPTA 01/2003)	kg	0.7

INFORMATION CONCERNANT LE BRUIT ET LES VIBRATIONS

(Les valeurs sont mesurées conformément à EN 60745.)

▪ Emission de bruit :		
A-niveau pondéré de la pression sonore L_{pA}	dB(A)	60
Incertitude K_{pA}	dB	3
A-niveau pondéré de puissance sonore L_{wA}	dB(A)	71
Incertitude K_{wA}	dB	3



Utilisez des protecteurs auditifs !

▪ Émission de vibrations *

Valeur globale des vibrations (somme vectorielle sur les trois axes), déterminée conformément à EN 60745 :

Valeur des vibrations émises $a_{h,D}$	m/s ²	0.7
Incertitude $K_{h,D}$	m/s ²	0.15

* Les vibrations sont déterminées conformément au point 6.2.7 de EN 60745-1.

BATTERIE (Li-ion) :

▪ Tension	V	7.2
▪ Capacité	Ah	1.3

CHARGEUR :

▪ À l'entrée:		
Tension / fréquence	V~Hz	230~50
Puissance consommée	W	32
▪ Tension de sortie / courant		
	V/A	8 / 3
▪ Temps de recharge		
	min	30

L'amplitude d' l'accélération indiquée dans ces instructions d'utilisation a été mesurée suivant les méthodes de mesurage conformément à la norme EN 60745 et peut être utilisée pour une comparaison d'appareils. Le niveau de vibration peut être utilisé pour faire une estimation provisoire du degré d'influence vibratoire.

Le niveau de vibration annoncé concerne la fonction principale de l'outil. Dans des cas où l'outil est destinée à une autre utilisation ou avec d'autres accessoires, ou s'il est mal entretenu, le niveau de vibration peut s'écarter de celui qui a été indiqué. Si c'est le cas, le degré d'influence peut fortement augmenter au cours de l'utilisation

Pour une estimation précise de l'influence vibratoire pendant un certain temps d'utilisation, il est recommandé de prendre aussi en considération les espaces de temps pendant lesquels l'appareil est éteint ou sous tension, mais pas vraiment utilisé. Ceci peut réduire considérablement l'influence vibratoire pendant toute la durée du travail.

Entretenez l'outil et ses accessoires en bon état. Gardez vos mains chaudes au cours de son utilisation – cela va diminuer les conséquences négatives lorsque vous travaillez à des hauts degrés de vibrations.

Les poussières de matériaux tels que peintures contenant du plomb, certains bois, minéraux ou métaux, peuvent être nuisibles à la santé. Toucher ou aspirer les poussières peut entraîner des réactions allergiques et/ou des maladies respiratoires auprès de l'utilisateur ou de personnes se trouvant à proximité.

Certaines poussières telles que les poussières de chêne ou de hêtre sont considérées cancérigènes, surtout en connexion avec des additifs pour le traitement de bois (chromate, lazure). Les matériaux contenant de l'amiante ne doivent être travaillés que par des personnes qualifiées.

- Si possible, utilisez une aspiration des poussières.
- Afin d'atteindre un haut degré d'aspiration de la poussière, lors du travail avec cet outil électroportatif utilisez un aspirateur spécialement adapté pour l'aspiration de poussière de bois ou pour l'aspiration de poussière de bois et/ou poussière de minéraux.
- Veillez à bien aérer la zone de travail.
- Il est recommandé de porter un masque respiratoire de la classe de filtre P2.

Respectez les règlements en vigueur dans votre pays spécifiques aux matériaux à traiter.

III - Avertissements de sécurité généraux pour l'outil



AVERTISSEMENT! Lire tous les avertissements de sécurité et toutes les instructions. Ne pas suivre les avertissements et instructions peut donner lieu à un choc électrique, un incendie et/ou une blessure sérieuse.

Conserver tous les avertissements et toutes les instructions pour pouvoir s'y reporter ultérieurement.

Le terme «outil» dans les avertissements fait référence à votre outil électrique alimenté par le secteur (avec cordon d'alimentation) ou votre outil fonctionnant sur batterie (sans cordon d'alimentation).

1. SÉCURITÉ DE LA ZONE DE TRAVAIL

- Conserv**er la zone de travail propre et bien éclairée. Les zones en désordre ou sombres sont propices aux accidents.
- Ne pas faire fonctionner les outils électriques en atmosphère explosive, par exemple en présence de liquides inflammables, de gaz ou de poussières.** Les outils électriques produisent des étincelles qui peuvent enflammer les poussières ou les fumées.
- Maintenir les enfants et les personnes présentes à l'écart pendant l'utilisation de l'outil.** Les distractions peuvent vous faire perdre le contrôle de l'outil.

2. SÉCURITÉ ÉLECTRIQUE

- Il faut que les fiches de l'outil électrique soient adaptées au socle. Ne jamais modifier la fiche de quelque façon que ce soit. Ne pas utiliser d'adaptateurs avec des outils à branchement de terre.** Des fiches non modifiées et des socles adaptés réduiront le risque de choc électrique.
- Eviter tout contact du corps avec des surfaces reliées à la terre telles que les tuyaux, les radiateurs, les cuisinières et les réfrigérateurs.** Il existe un risque accru de choc électrique si votre corps est relié à la terre.
- Ne pas exposer les outils à la pluie ou à des conditions humides.** La pénétration d'eau à l'intérieur d'un outil augmentera le risque de choc électrique.
- Ne pas maltraiter le cordon. Ne jamais utiliser le cordon pour porter, tirer ou débrancher l'outil.** Maintenir le cordon à l'écart de la chaleur, du lubrifiant, des arêtes ou des parties en mouvement. Des cordons endommagés ou emmêlés augmentent le risque de choc électrique.
- Lorsqu'on utilise un outil à l'extérieur, utiliser un prolongateur adapté à l'utilisation extérieure.** L'utilisation d'un cordon adapté à l'utilisation extérieure réduit le risque de choc électrique.
- Si l'usage d'un outil dans un emplacement humide est inévitable, utiliser une alimentation protégée par un dispositif à courant différentiel résiduel (RCD).** L'usage d'un RCD réduit le risque de choc électrique.

3. SÉCURITÉ DES PERSONNES

- a) Rester vigilant, regarder ce que vous êtes en train de faire et faire preuve de bon sens dans votre utilisation de l'outil. Ne pas utiliser un outil lorsque vous êtes fatigué ou sous l'emprise de drogues, d'alcool ou de médicaments. *Un moment d'inattention en cours d'utilisation d'un outil peut entraîner des blessures graves des personnes.*
- b) Utiliser un équipement de sécurité. Toujours porter une protection pour les yeux. *Les équipements de sécurité tels que les masques contre les poussières, les chaussures de sécurité antidérapantes, les casques ou les protections acoustiques utilisés pour les conditions appropriées réduiront les blessures de personnes.*
- c) Éviter tout démarrage intempestif. S'assurer que l'interrupteur est en position arrêt avant de brancher l'outil au secteur et/ou au bloc de batteries, de le ramasser ou de le porter. *Porter les outils en ayant le doigt sur l'interrupteur ou brancher des outils dont l'interrupteur est en position marche est source d'accidents.*
- d) Retirer toute clé de réglage avant de mettre l'outil en marche. *Une clé laissée fixée sur une partie tournante de l'outil peut donner lieu à des blessures de personnes.*
- e) Ne pas se précipiter. Garder une position et un équilibre adaptés à tout moment. *Cela permet un meilleur contrôle de l'outil dans des situations inattendues.*
- f) S'habiller de manière adaptée. Ne pas porter de vêtements amples ou de bijoux. Garder les cheveux, les vêtements et les gants à distance des parties en mouvement. *Des vêtements amples, des bijoux ou les cheveux longs peuvent être pris dans des parties en mouvement.*
- g) Si des dispositifs sont fournis pour le raccordement d'équipements pour l'extraction et la récupération des poussières, s'assurer qu'ils sont connectés et correctement utilisés. *Utiliser des collecteurs de poussière peut réduire les risques dus aux poussières.*

4. UTILISATION ET ENTRETIEN DE L'OUTIL

- a) Ne pas forcer l'outil. Utiliser l'outil adapté à votre application. *L'outil adapté réalisera mieux le travail et de manière plus sûre au régime pour lequel il a été construit.*
- b) Ne pas utiliser l'outil si l'interrupteur ne

permet pas de passer de l'état de marche à arrêt et vice versa. *Tout outil qui ne peut pas être commandé par l'interrupteur est dangereux et il faut le réparer.*

- c) Débrancher la fiche de la source d'alimentation en courant et/ou le bloc de batteries de l'outil avant tout réglage, changement d'accessoires ou avant de ranger l'outil. *De telles mesures de sécurité préventives réduisent le risque de démarrage accidentel de l'outil.*
- d) Conserver les outils à l'arrêt hors de la portée des enfants et ne pas permettre à des personnes ne connaissant pas l'outil ou les présentes instructions de le faire fonctionner. *Les outils sont dangereux entre les mains d'utilisateurs novices.*
- e) Observer la maintenance de l'outil. Vérifier qu'il n'y a pas de mauvais alignement ou de blocage des parties mobiles, des pièces cassées ou toute autre condition pouvant affecter le fonctionnement de l'outil. *En cas de dommages, faire réparer l'outil avant de l'utiliser. De nombreux accidents sont dus à des outils mal entretenus.*
- f) Garder affûtés et propres les outils permettant de couper. *Des outils destinés à couper correctement entretenus avec des pièces coupantes tranchantes sont moins susceptibles de bloquer et sont plus faciles à contrôler.*
- g) Utiliser l'outil, les accessoires et les lames etc., conformément à ces instructions, en tenant compte des conditions de travail et du travail à réaliser. *L'utilisation de l'outil pour des opérations différentes de celles prévues pourrait donner lieu à des situations dangereuses.*

5. MAINTENANCE ET ENTRETIEN

- a) Faire entretenir l'outil par un réparateur qualifié utilisant uniquement des pièces de rechange identiques. *Cela assurera que la sécurité de l'outil est maintenue.*

IV - Consignes supplémentaires de sécurité lors du travail avec des perceuses sans fil

- Rendez-vous bien compte que cet outil électrique est toujours en état de marche, si bien qu'il n'est pas nécessaire qu'il soit branché au

secteur. Mettez toujours l'interrupteur en position ARRÊT lorsque vous placez ou que vous enlevez la batterie

- Dans la mesure du possible, utilisez toujours un étrier ou un étau pour fixer le matériau traité.
- Ne touchez pas le foret immédiatement après le travail avec la perceuse. Il est brûlant.
- Lorsque vous travaillez avec une perceuse, utilisez un équipement de protection comprenant des lunettes de protection et des protecteurs auditifs. Portez un masque de protection contre la poussière si lors de l'opération de perçage se dégage de la poussière.
- La poussière se dégageant lors du traitement de certains matériaux contenant du quartz (du dioxyde de silicium) est dangereuse pour la santé. Ne jamais traiter de matériaux contenant de l'amiante.
- L'outil doit être utilisé uniquement pour les travaux pour lesquels il a été prévu. Toute autre utilisation, différente que celle décrite dans la présente notice, doit être considérée comme abusive. Le producteur décline toute responsabilité en cas de dommage ou de blessure causée par une utilisation abusive, cette responsabilité étant alors entièrement portée par l'utilisateur.
- Afin d'utiliser l'outil correctement, vous devez respecter les règles de sécurité, les consignes générales et celles concernant l'exploitation qui figurent dans le présent document. Tous les utilisateurs doivent avoir pris connaissance de cette notice d'utilisation et être informés sur les risques potentiels lors du travail avec l'outil électrique. Les enfants et les personnes ne possédant pas la force physique nécessaire ne doivent pas utiliser l'appareil. Les enfants se trouvant dans la zone de travail avec l'outil électrique doivent être sous une surveillance incessante. Il est indispensable que vous entrepreniez également des mesures de sécurité préalables. Ceci est également valable compte tenu des principales consignes concernant la salubrité et la sécurité du travail.
- Le producteur décline toute responsabilité en cas de modifications apportées à l'outil électrique ou de dommages provoqués par ces modifications.

Même lorsque l'outil est utilisé en conformité avec sa destination, il est impossible d'écartier tous les facteurs de risque. Les dangers décrits ci-dessous peuvent être engendrés par les particularités de conception et de construction de l'outil électrique.

- Problèmes concernant les poumons en cas de non utilisation d'un masque efficace contre la

poussière.

- Problèmes concernant l'ouïe lorsque les mesures adéquates n'ont pas été prises.

V - Règles supplémentaires pour le travail avec le chargeur

- Avant d'utiliser le chargeur, il faut lire attentivement les instructions et les notes concernant le chargeur, ainsi que les instructions d'utilisation des batteries.
- Les batteries doivent être chargées dans un local, car le chargeur n'est construit et prévu que pour l'utilisation à intérieur.



AVERTISSEMENT: Si la batterie est endommagée, ne pas la mettre dans le chargeur. Il existe un danger d'électrocution.



AVERTISSEMENT: Ne jamais laisser de l'eau pénétrer dans le chargeur. Il existe un danger d'électrocution.

- Le chargeur est construit et prévu pour fonctionner uniquement avec la batterie SPARKY livrée avec la perceuse. L'utilisation de toute autre batterie peut provoquer des risques d'incendie ou d'électrocution.
- Le chargeur et la batterie livrés avec la perceuse ont été spécialement conçus pour fonctionner ensemble. Ne jamais charger la batterie en utilisant un autre chargeur.
- Ne pas placer d'objets sur le chargeur, cela peut provoquer sa surchauffe. Ne pas laisser le chargeur à proximité de sources de chaleur.
- Ne pas tirer sur le câble du chargeur quand vous voulez le débrancher de la prise.
- Assurez-vous que le câble du chargeur est situé de façon excluant toute possibilité de marcher ou de trébucher dessus, de l'endommager ou de lui faire subir une tension mécanique.
- N'utiliser des rallonges du câble que si cela n'est vraiment nécessaire. L'utilisation d'une rallonge non appropriée peut créer un risque d'incendie ou d'électrocution.
- Ne plus continuer à utiliser le chargeur s'il a subi un choc important, s'il est tombé ou s'il présente une défaillance quelconque. Ne pas utiliser le chargeur si son câble d'alimentation ou sa fiche sont défectueux – ils doivent être

remplacés sans délai. Nous vous recommandons de vous adresser à un atelier de service après-vente agréé pour la maintenance ou la réparation.

- Si le câble est endommagé, il doit être remplacé par le producteur ou un spécialiste agréé par celui-ci afin d'éviter les éventuels risques liés à son remplacement.
- Ne désassemblez pas le chargeur. Pour toute réparation nécessaire, adressez-vous à un atelier agréé. Un réassemblage incorrect peut engendrer des risques d'incendie ou d'électrocution.
- Afin de minimiser les risques d'électrocution, il faut toujours débrancher le chargeur de la prise avant toute opération de nettoyage. Le fait d'enlever la batterie ne diminue point ces risques.
- Ne jamais tenter de brancher deux chargeurs en série.
- Ne pas conserver ni utiliser le chargeur et les batteries dans des endroits où la température ambiante peut atteindre ou dépasser +40.5°C, par exemple, sous des auvents, dans des caravanes ou des constructions métalliques pendant la saison chaude.
- Le chargeur est désigné à être alimenté à partir d'un secteur standard d'une tension de (230-240 V). Ne jamais brancher le chargeur à un secteur ayant une tension différente.
- S'il faut recharger une deuxième batterie, débranchez le chargeur du secteur et laissez-le se refroidir pendant 15 minutes au moins. Ce temps passé, vous pouvez procéder au chargement de la batterie suivante.
- Dans certaines conditions, le chargeur étant branché au secteur, un corps étranger peut provoquer un court-circuit entre les contacts ouverts du chargeur. Les matériaux conducteurs, par exemple, la laine d'acier, les feuilles d'aluminium ou tout autre matériau se composant de particules de métal doivent être tenus à l'écart des parties creuses du chargeur. Toujours lorsque dans le chargeur n'est pas placée une batterie, celui-ci doit être débranché du secteur.
- Évitez de laisser geler et ne plongez pas le chargeur dans de l'eau ou un autre liquide.

VI - Règles supplémentaires pour le travail avec les batteries

- La batterie de cet outil électrique est fournie partiellement chargée. Elle doit être complètement chargée avant le début du travail.



AVERTISSEMENT: Si la batterie est fissurée ou endommagée de quelque autre façon, ne la placez pas dans le chargeur. Il existe un danger d'électrocution.

- On peut obtenir une longévité maximale et bénéficier des qualités optimales de fonctionnement de la batterie en chargeant celle-ci à une température ambiante allant de 18°C à 24°C. Ne chargez pas la batterie à une température ambiante plus basse que +4°C ou plus élevée que +40°C. Ceci est très important et constitue un moyen d'éviter à la batterie des dommages graves.
- Pendant le chargement, le chargeur et la batterie peuvent être chauds au toucher. Ceci est normal et ne signale la présence d'aucun dysfonctionnement.
- Afin d'éviter un réchauffement excessif, ne chargez pas les batteries sous les rayons directs du soleil, par un temps très chaud ou à proximité de sources de chaleur
- Ne les chargez pas dans une cabine ou un réservoir. Pendant le chargement, la batterie doit être placée dans un local bien aéré.
- Si la batterie est défectueuse, il peut y avoir une fuite de liquide qui risque d'humidifier les objets environnants. Vérifiez l'état de ces objets et nettoyez-les ou en cas de besoin, remplacez-les.
- Si la batterie ne se recharge pas normalement:
 - (1) Vérifiez la présence de tension dans le secteur à l'aide d'une ampoule ou d'un phasemètre.
 - (2) Déplacez le chargeur avec la batterie à un endroit où la température ambiante est entre 18°C et 24°C.
 - (3) Si après tout cela le problème de chargement de la batterie persiste, emportez ou envoyez l'outil électrique avec la batterie et le chargeur à l'atelier local de service après vente.
- Il faut recharger la batterie lorsqu'elle cesse de produire une puissance suffisante pour des opérations qui avant cela étaient exécutées sans difficulté. Dans un tel cas, **ARRÊTEZ LE TRAVAIL.** Engagez une procédure de rechargement. La batterie li-ion peut être rechargée à tout moment, sans que cela affecte sa longévité. L'interruption du processus de recharge ne peut pas l'endommager.
- Ne brûlez pas les batteries, même si elles sont gravement endommagées ou qu'elles ne peuvent plus être rechargées. Les batteries peuvent exploser dans le feu.
- Pour faciliter le refroidissement de la batterie après le travail, par temps chaud; évitez d'uti-

liser le chargeur ou la batterie sous un auvent métallique ou dans une caravane sans isolation thermique.



AVERTISSEMENT: N'essayez jamais d'ouvrir la batterie, quelle qu'en soit la raison. Si le boîtier en matière plastique de la batterie vient à se casser ou à se fissurer, remettez la batterie à l'atelier de service après vente pour son recyclage.

AVANT D'ASSAYER DE CHARGER LA BATTERIE POUR VOTRE OUTIL ELECTRIQUE, LISEZ TOUTES LES CONSIGNES FIGURANT DANS LA SECTION CONSACREE AU CHARGEUR.

- Utilisez toujours une batterie convenable de SPARKY (celle qui est fournie avec l'outil électrique ou une batterie de rechange identique). N'utilisez jamais aucune autre batterie. Ceci risque d'endommager l'outil électrique et peut créer une situation dangereuse.
- Chargez les batteries en utilisant uniquement des chargeurs de SPARKY.
- Ne jetez pas les batteries avec les ordures ménagères. Les batteries doivent être mises à part et remises pour leur recyclage en conformité avec les règles de protection de l'environnement.

PLACER ET ENLEVER UNE BATTERIE

Pour enlever la batterie: pressez simultanément sur les deux boutons pour libérer la batterie (4), puis tirez sur celle-ci pour l'extraire du boîtier de l'outil électroportatif.



AVERTISSEMENT: Mettez toujours le sélecteur de la direction de rotation (3) en position centrale avant d'effectuer toute opération sur l'outil électroportatif, par exemple, la pose et la recharge d'une batterie, le remplacement d'un embout, le transport, la maintenance ou la conservation de l'outil électroportatif.

Pour la mise en place de la batterie: Enfoncez la batterie dans l'orifice situé à la base de l'outil électroportatif jusqu'à ce que vous ayez entendu le déclic caractéristique.

CHARGER UNE BATTERIE

- Branchez la fiche du câble du chargeur dans le secteur. Sur l'indicateur du chargeur (10), vous verrez s'allumer le voyant vert indiquant la présence de tension dans le secteur.

- Placez la batterie (5) dans le logement du chargeur (9) qui lui est destiné, en tenant compte de la polarité. (Fig. 1)
- Les nouvelles batteries déploient toute leur capacité au bout de 5 cycles de charge/décharge. Les batteries qui n'ont pas été utilisées pendant longtemps doivent être chargées et déchargées 2 à 3 fois avant de commencer à fonctionner correctement.
- Lorsque la durée d'utilisation de la batterie diminue considérablement indépendamment de son chargement complet, la vie de cette batterie a vraisemblablement atteint sa fin. Une telle batterie doit être immédiatement remplacée.



AVERTISSEMENT: La batterie est complètement rechargée au bout d'environ 30 minutes. Au bout de ce laps de temps, enlevez la batterie du chargeur.

Fonctionnement des voyants lumineux lors du chargement :

- Lors de la mise en marche du chargeur, on voit s'allumer le voyant vert.
- Lorsqu'on a placé une batterie dans le chargeur, le voyant vert s'éteint et on voit s'allumer le voyant rouge indiquant que le processus de charge a commencé.

Pendant la charge, le chargeur et la batterie peuvent être chauds au toucher. Ceci est normal et ne signale aucune anomalie.

- Après la fin du processus de charge, qui dure environ 30 minutes, le voyant rouge s'éteint et on voit s'allumer le voyant vert.

La chargeur possède une protection thermique qui protège la batterie de la surcharge. Nous recommandons néanmoins d'extraire la batterie du chargeur immédiatement après la fin du processus de charge. Il est possible d'utiliser en supplément un interrupteur à minuteur pour contrôler avec précision le temps de charge.

CONSEILS VISANT L'OBTENTION D'UNE LONGÉVITÉ ACCRUE DES BATTERIES

- Lorsque vous n'utilisez pas la batterie, tenez-la à l'écart de trombons, de pièces de monnaie, de clés, de clous, de vis et d'autres petits objets en métal qui risquent de court-circuiter ses bornes. En court-circuitant les bornes de la batterie, vous pouvez provoquer un incendie ou une explosion.
- Débranchez toujours le chargeur du secteur lorsque vous ne l'utilisez pas et conservez-le en un endroit sec et sécurisé.

- Ne chargez pas de batteries et ne tenez pas le chargeur dans des locaux où la température risque de tomber au-dessous de 0°C ou de s'élever au-dessus de +40°C.

VII - Description de l'outil électroportatif

Avant le travail avec l'outil électroportatif, prenez connaissance des particularités de son fonctionnement et des conditions de sécurité à respecter. L'outil électroportatif et ses accessoires doivent être utilisés uniquement pour les travaux prévus. Toute autre utilisation est strictement interdite.

1. Mandrin à serrage rapide
2. Sélecteur de vitesse
3. Sélecteur de la direction de rotation
4. Cliquets de fixation de la batterie
5. Batterie
6. Interrupteur à gâchette
7. Eclairage par diodes de la zone de travail
8. Régulateur de couple moteur
9. Chargeur
10. Indicateur à diodes du chargeur

VIII - Consignes de travail

ECLAIRAGE PAR DIODES DE LA ZONE DE TRAVAIL

L'outil électroportatif est muni de diodes émettrices de lumière (7) qui servent à améliorer l'éclairage de la zone de travail lorsque ce travail a lieu dans des endroits mal éclairés. L'éclairage à diodes fonctionne tant que l'interrupteur (6) est pressé.

SELECTION DE LA DIRECTION DE ROTATION

Le levier (3) placé en position droite extrême (vue de l'arrière) produit la rotation en sens antihoraire ; placé en position gauche extrême, il produit la rotation en sens horaire. Lorsque l'interrupteur (6) est enfoncé, le levier (3) ne peut pas être déplacé. (Fig. 2)



AVERTISSEMENT: Le changement du sens de rotation n'est effectué que lorsque l'arbre n'est pas en rotation.

Le perçage de trous et le vissage de vis est effectué avec le commutateur placé en position gauche extrême. Pour dévisser des vis, le levier doit être en position droite extrême.

MARCHE - ARRÊT

Mise en marche: presser sur l'interrupteur (6).

Arrêt: relâcher l'interrupteur (6).

L'outil électroportatif est doté d'un frein. L'arbre s'arrête de tourner tout de suite lorsque vous avez relâché complètement la gâchette de l'interrupteur.

REGLAGE ELECTRONIQUE PROGRESSIF DE LA VITESSE DE ROTATION

Une légère pression sur l'interrupteur (6) provoque le lancement de la perceuse à petite vitesse ; cette vitesse augmente progressivement pour atteindre son maximum au fur et à mesure qu'on augmente la pression sur l'interrupteur pour finir par l'enfoncer à fond.

REGLAGE DU COUPLE MOTEUR

Tourner la bague située derrière le mandrin, afin de fixer le régulateur (8) sur une des ses 19 positions et communiquer un couple au moteur. Les positions du régulateur du couple moteur (8) permettent d'assurer un meilleur contrôle sur la perceuse lorsque celle-ci est utilisée comme tournevis, afin d'éviter un serrage excessif des vis.

La valeur du couple moteur est déterminée par un des chiffres gravés sur la bague. Plus le chiffre gravé sur la bague est grand, plus le couple moteur est élevé. Pour sélectionner le couple moteur approprié, faites tourner la bague jusqu'à ce que le chiffre respectif prenne place en face de la flèche figurant sur le boîtier de la perceuse.

<p>1 19</p>	<p>Visser/dévisser des vis Placez le régulateur du couple moteur (8) sur une de ces 19 positions. Un couple moteur plus bas est convenable pour visser des vis d'un diamètre plus petit et ceci, dans un matériau moins dur. Un couple moteur plus élevé est convenable pour visser des vis d'un diamètre plus grand, et ceci, dans un matériau plus dur.</p>
	<p>Perçage Placez le régulateur du couple moteur (8) en face de ce symbole pour sélectionner le perçage de trous dans du métal, du bois, etc. L'outil électroportatif est doté d'un frein. L'arbre s'arrête de tourner tout de suite après que vous avez relâché le bouton de l'interrupteur. En cas de surcharge de l'outil électroportatif en régime de perçage, relâchez immédiatement l'interrupteur, afin d'éviter une surchauffe le moteur électrique lors d'un travail prolongé.</p>

SELECTEUR DE VITESSE (FIG. 3)

Le sélecteur de vitesse à deux positions (2) permet de sélectionner la vitesse la mieux appropriée, assurant la vitesse et le couple moteur les mieux convenables pour l'application concrète.



AVERTISSEMENT: Changez de vitesse uniquement lorsque la perceuse ne fonctionne pas.

1. Pour sélectionner une vitesse basse (rotation lente, couple moteur élevé), glissez le sélecteur de vitesse (2) en arrière. Le chiffre **1** gravé sur le sélecteur, indique la vitesse choisie.
2. Pour sélectionner une vitesse élevée (rotation rapide, couple moteur bas), glissez le sélecteur de vitesse (2) en avant. Le chiffre **2** gravé sur le sélecteur, indique la vitesse choisie.

METTRE EN PLACE ET ENLEVER UN EMBOUT (FIG. 4)



AVERTISSEMENT: Enlevez la batterie ou placez le sélecteur du sens de rotation (3) en position médiane (neutre) (A).

La perceuse est dotée d'un arbre autobloquant, ce qui signifie que si vous essayez de tourner le mandrin à la main, l'arbre se bloque automatiquement. Pour enlever l'embout ou régler sa longueur, il suffit de serrer solidement le mandrin et de faire tourner son boîtier.

- Tenez la machine d'une main et faites tourner le mandrin de l'autre.
- Pour ouvrir le mandrin, faites-le tourner en direction antihoraire. (B)
- Pour fermer le mandrin, faites-le tourner en position horaire. (D)
- Placez l'embout. (C)
- Fermez le mandrin.
- Procédez à un démarrage d'essai, pour vérifier si l'embout est correctement fixé au centre du mandrin.

REEMPLACEMENT DU MANDRIN



AVERTISSEMENT: Le remplacement du mandrin doit être effectué uniquement dans un centre autorisé pour le service après-vente. Prière de ne pas essayer de remplacer le mandrin à l'aide d'outils de fortune, car vous risquez d'endommager la perceuse sans fil.

PERÇAGE DE TROUS

Perçage de trous dans du métal

- Pour obtenir un bon résultat, utilisez des forets en acier à coupe rapide pour le perçage de métal ou d'acier.
- Placez le régulateur de couple moteur (8) en position de perçage « foret ».
- Commencez le perçage à petite vitesse pour éviter que le foret ne s'écarte du point initial.
- Fixez toujours solidement les plaques d'acier.
- Fixez les feuilles métalliques minces à l'aide de blocs de bois afin de les immobiliser.
- Utilisez un objet pointu pour marquer le centre de l'orifice à percer.
- Utilisez un liquide de coupe convenant au matériau choisi.

Matériau	Liquide de coupe
Acier	Huile lubrifiante
Aluminium	Térébenthine ou paraffine
Laiton, cuivre, fonte	Liquide non appliqué

Perçage de trous dans des matières plastiques et des agglomérés laminés

- Utilisez des forets en acier à coupe rapide.
- Consultez la section « Perçage de trous dans le bois ».

Perçage de trous dans le bois

- Pour l'obtention d'un bon résultat, utilisez des forets en acier à coupe rapide pour le perçage dans le bois.
- Placez le régulateur de couple moteur (8) en position de perçage « foret ».
- Commencez le perçage à petite vitesse pour éviter que le foret ne s'écarte du point initial. Accélérez lorsque le foret a pénétré en profondeur dans le matériau.
- Lorsque vous percez un orifice traversant le matériau de part en part, placez un morceau de bois sous le matériau traité afin d'éviter le déchirement ou la fissure de la partie arrière de l'orifice.

Toutes les opérations de perçages


- Utilisez uniquement des forets bien affûtés.
- Marquez préalablement le centre du trou que vous allez percer à l'aide d'un poinçon ou d'un clou.

VISSER / DEVISSER DES VIS


Sélectionnez le couple moteur convenable en plaçant un des chiffres gravés sur le régulateur du couple moteur (8) en face de la flèche figurant sur le boîtier.

Placez l'embout nécessaire.

 **AVERTISSEMENT:** Un serrage excessif pour entraîner la rupture de la vis ou endommager l'embout.

 **AVERTISSEMENT:** Si la machine est tenue sous un angle par rapport à la vis que l'on serre, la tête de celle-ci peut être endommagée ou le couple moteur ne pourra pas être pleinement transmis à la vis. Tenez toujours la machine et la visse à serrer bien alignés.

IX - Maintenance

 **AVERTISSEMENT:** Placez toujours le commutateur de changement du sens de rotation (3) en position centrale avant d'effectuer toute opération sur l'outil électrique, par exemple, pose et chargement d'une batterie, remplacement d'un embout, transport, maintenance ou conservation de la perceuse.


Vérifiez régulièrement si les vis du bootier sont solidement serrées. Suite à une longue utilisation, ces vis peuvent se relâcher sous l'effet des vibrations.

NETTOYAGE

Pour assurer un fonctionnement sécurisé, entre-prenez toujours l'outil et ses orifices de ventilation propres.

Vérifiez régulièrement si à l'intérieur de la grille de ventilation, à proximité du moteur électrique ou autour des commutateurs ne se sont pas accumulés de la poussière et des corps étrangers. Utilisez une brosse douce pour l'élimination de la poussière accumulée. Afin de protéger vos yeux, lors des opérations de nettoyage, portez des lunettes de protection.

Si le boîtier de l'outil a besoin d'être nettoyé, essuyez-le à l'aide d'un chiffon mou humide. Vous pouvez utiliser un détergent non agressif.

 **AVERTISSEMENT:** Il est interdit d'utiliser de l'alcool, de l'essence ou d'autres solvants. N'utilisez jamais des produits agressifs pour le nettoyage des pièces en matière plastique.

 **AVERTISSEMENT:** Ne permettez pas à de l'eau d'entrer en contact avec l'appareil.

Consignes concernant le nettoyage du chargeur:

 **AVERTISSEMENT:** Avant le nettoyage, débranchez le chargeur du secteur.

- Les parties extérieures du chargeur salies et enduites d'huile doivent être nettoyées à l'aide d'un chiffon ou d'une brosse douce, non métallique. Ne pas utiliser à cette fin de l'eau et des détergents.

IMPORTANT! Afin d'assurer la sécurité du travail avec l'outil et le fonctionnement fiable de celui-ci, toutes les opérations de réparation, d'entretien et de réglage doivent être effectuées dans les centres d'entretien agréés de SPARKY avec l'utilisation exclusive de pièces d'origine..

X - Elimination de déchets

Les outils électroportatifs, ainsi que leurs accessoires et emballages, doivent pouvoir suivre chacun une voie de recyclage appropriée.

Seulement pour les pays de l'Union Européenne:

Ne pas jeter les appareils électroportatifs dans les ordures ménagères! Conformément à la directive européenne 2002/96/CE relative aux déchets d'équipements électriques et électroniques et sa réalisation dans les lois nationales, les outils électroportatifs dont on ne peut plus se servir doivent être séparés et suivre une voie de recyclage appropriée.

Accus/piles :



Ne pas jeter les accus/piles dans les ordures ménagères, ni dans les flammes ou dans l'eau. Les accus/piles doivent être collectés, recyclés ou éliminés en conformité avec les réglementations se rapportant à l'environnement.

Seulement pour les pays de l'Union Européenne:

Les accus/piles usés ou défectueux doivent être recyclés conformément à la directive 91/157/CEE.

XI - Garantie

La période de garantie des outils électroportatifs SPARKY est définie dans le contrat de garantie.

La garantie ne couvre pas les pannes apparues suite à l'usure naturelle, une surcharge ou une mauvaise exploitation.

Les pannes survenues pour cause de matériaux défectifs et/ou d'erreurs de fabrication seront réparées gratuitement ou le produit sera échangé.

Les réclamations pour un instrument SPARKY défectueux seront honorées si la machine est retournée au livreur ou est présentée à un service après-vente agréé assemblé et dans son état original (assemblée).

Notes

Lisez attentivement toute cette instruction d'utilisation avant de commencer à vous servir de l'outil.

Le producteur retient son droit d'améliorer ses produits et de changer les spécifications sans avis spécial.

Les spécifications peuvent varier selon le pays.

Indice

I - Introduzione	36
II - Dati tecnici	38
III - Avvertenze di sicurezza	39
IV - Ulteriori norme di sicurezza per avvitatori/trapani a batteria	40
V - Istruzioni per l'uso del caricabatteria	41
VI - Istruzioni per l'uso della batteria	41
VII - Prendere visione dell'elettrotensile	A/43
VIII - Istruzioni per l'uso	43
IX - Manutenzione	45
X - Rispetto dell'ambiente	46
XI - Garanzia	46

PRIMA DELL'USO

Prima dell'uso verificare la presenza di tutti i componenti e degli accessori elencati. In caso di mancanze o apparenti difetti rivolgersi al rivenditore specializzato. L'inosservanza di tale raccomandazione potrebbe provocare gravi incidenti.

ASSEMBLAGGIO

Il trapano a batteria viene fornito imballato e completamente montato.

I - Introduzione

Questo utensile SPARKY supererà le Vostre aspettative. La produzione secondo i rigorosi standard di qualità SPARKY assicura un'ottima prestazione. Se utilizzato correttamente, l'utensile risulterà maneggevole e sicuro, e garantirà un uso duraturo.



AVVERTENZA:

Leggere attentamente tutte le istruzioni prima dell'utilizzo dell'utensile. Leggere con cura soprattutto le parti introdotte da "Attenzione!". Questo utensile SPARKY presenta numerose caratteristiche che faciliteranno il Suo lavoro. Sicurezza, qualità ed affidabilità sono punti chiave nello sviluppo di questo utensile, e lo rendono semplice nell'uso e nella manutenzione.



Non smaltire elettrotensili insieme a rifiuti domestici!

Residui di prodotti elettrici devono essere smaltiti separatamente dai rifiuti domestici e sottoposti ad un riciclaggio ecologico. Si prega di informarsi presso le autorità locali o i rivenditori specializzati circa il più vicino luogo di raccolta.

RISPETTO DELL'AMBIENTE



Macchina, accessori ed imballaggio devono essere destinati ad una riutilizzo ecologica per il recupero di materie prime.

I componenti in plastica sono contrassegnati per relativo riciclaggio.

SIMBOLI

L'etichetta che si trova sulla macchina contiene alcuni simboli. Questi forniscono importanti informazioni sull'utensile o istruzioni sull'uso dello stesso.



Doppio isolamento per ulteriore sicurezza



Solo uso interno



Non esporre alla pioggia o all'acqua



Non bruciare



Caricare la batteria a temperature comprese tra i 0°C e i 40°C al



Prodotto secondo le vigenti norme di sicurezza europee



Conforme alla normativa russa



Conforme alle esigenze dei documenti normativi ucraini



Prendere conoscenza delle istruzioni per l'uso

YYWww

Periodo di produzione, ove i simboli variabili sono:

YY – le ultime due cifre dell'anno di produzione,

ww – la settimana di calendario consecutiva

II - Dati tecnici

Modello	BR2 7.2Li HD	
▪ Motore elettrico:	V	7.2
▪ Numero di giri a vuoto (I marcia/II marcia)	min ⁻¹	0-190/0-600
▪ Coppia massima	Nm	13
▪ Regolazione della coppia (numero di posizioni del regolatore)		19+1
▪ Portata del mandrino	mm	0.6-6
▪ Diametro massimo della punta per acciaio / legno	mm	4 / 6
▪ Diametro massimo di una vite per legno	mm	6
▪ Regolazione elettronica dei giri, avanzamento a sinistra – a destra		si
▪ Freno elettrico		si
▪ Blocco automatico dell'alberino		si
▪ Illuminazione a diodi elettroluminescenti dell'area operativa		si
▪ Indicazione a diodi elettroluminescenti del caricamento		si
▪ Trasmissione a due velocità		si
▪ Peso (con la batteria) (procedura EPTA 01/2003)	kg	0.7

INFORMAZIONI SULLA RUMOROSITÀ E SULLA VIBRAZIONE

(Valori determinati secondo la normativa EN 60745)

▪ Emissione di rumore:

A-livello di pressione sonora ponderata L_{pA}	dB(A)	60
Indeterminazione K_{pA}	dB	3
A-livello di potenza sonora ponderata L_{WA}	dB(A)	71
Indeterminazione K_{WA}	dB	3



Indossare cuffie di protezione!

▪ Emissione di vibrazioni *

Valore totale delle vibrazioni (somma vettoriale lungo i tre assi), determinata secondo la norma EN 60745:

Valore delle vibrazioni emesse $a_{h,D}$	m/s ²	0.7
Indeterminazione $K_{h,D}$	m/s ²	0.15

* Le vibrazioni sono state determinate conformemente al punto 6.2.7 della norma EN 60745-1.

BATTERIA (Li-ion):

▪ Tensione:	V	7.2
▪ Capacità	Ah	1.3

CARICABATTERIE:

▪ All'ingresso:

Tensione / frequenza	V~Hz	230~50
Potenza assorbita	W	32
▪ Tensione erogata / corrente erogata	V/A	8 / 3
▪ Tempo di caricamento	min	30

Il livello di vibrazione sopra indicato è stato definito seguendo il metodo di misurazione riportato nella normativa EN 60745 e può essere utilizzato per confrontare tra di loro diversi elettroutensili. Inoltre è adatto per effettuare una stima provvisoria del livello di esposizione.

Il livello di vibrazione si riferisce alle modalità d'uso principali dell'utensile. Tuttavia, se utilizzato per scopi diversi da quelli previsti, con punte poco stabili o senza adeguata manutenzione, il livello di vibrazione può variare. Ciò può aumentare sensibilmente il livello di esposizione durante il lavoro.

Per una precisa definizione del livello di esposizione dovrebbe essere preso in considerazione anche l'arco di tempo in cui l'utensile è spento o funzionante ma non in uso. Ciò può ridurre sostanzialmente il livello di esposizione durante il lavoro.

Utilizzare l'utensile e gli accessori con cura, e maneggiarlo mantenendo le mani calde così da ridurre gli effetti dannosi dell'elevato livello di vibrazioni.

Polvere derivante da materiali come vernici contenenti particelle di piombo, alcuni tipi di legno, minerali e metallo potrebbe essere nociva. Il contatto o l'inalazione di tali polveri potrebbe causare reazioni allergiche e/o problemi al sistema respiratorio dell'utente o di terzi.

Talune tipologie di polveri, come ad esempio quella derivante da legno di quercia o faggio, soprattutto se trattati con additivi e conservanti, sono classificate come cancerogene. Si consiglia di fare trattare materiali contenenti asbesto solo a persone esperte.

- Se possibile collegare sempre la macchina ad un dispositivo di aspirazione.
- Tenere l'area di lavoro ben pulita e ventilata.
- Si consiglia l'uso di una mascherina o filtro di classe P2.

Osservare le direttive nazionali relative al materiale da lavorare.

III - Avvertenze di sicurezza



ATTENZIONE! Leggere tutte le istruzioni d'uso e le avvertenze di sicurezza.

L'inosservanza delle istruzioni seguenti può causare folgorazioni, incendi e/o gravi danni a persone.

Conservare con cura queste istruzioni.

Il termine "utensile" in tutte le avvertenze successive si riferisce sia agli utensili collegati alla rete elettrica (con cavo di alimentazione) che agli utensili a batteria (senza cavo).

1. AREA DI LAVORO

- a) **Mantenere l'area di lavoro pulita e ben illuminata.** Le zone buie ed ingombre di oggetti favoriscono incidenti.
- b) **Non utilizzare l'utensile in presenza di liquidi infiammabili, gas o polvere.** Le scintille generate potrebbero infiammare polvere e/o vapore.
- c) **Tenere a distanza bambini e terzi durante il funzionamento.** Per una distrazione potreste perdere il controllo dell'utensile.

2. SICUREZZA ELETTRICA

- a) **La spina dell'utensile deve essere adatta alla presa utilizzata. Non modificare la spina in alcun modo. Non utilizzare adattatori con gli utensili collegati a terra.** L'impiego di una spina integra ed una presa adatta riduce i rischi di folgorazione.
- b) **Evitare di toccare con il corpo le superfici collegate a terra quali tubi, radiatori, forni e frigoriferi.** Il rischio di folgorazione aumenta se il corpo è collegato a terra.
- c) **Non esporre l'utensile alla pioggia e all'umidità.** La penetrazione d'acqua nell'utensile aumenta il rischio di folgorazione.
- d) **Non utilizzare il cavo per scopi diversi da**

quello previsto. **Non utilizzare il cavo per trasportare o tirare l'utensile, oppure per staccare la spina dalla presa. Tenere il cavo lontano da fonti di calore, olio, parti appuntite o in movimento.** Cavi danneggiati o attorcigliati aumentano il rischio di folgorazione.

- e) **Se l'utensile viene utilizzato all'aperto, usare una prolunga adatta all'uso esterno.** L'impiego di una prolunga da esterno riduce il rischio di folgorazione.
- f) **Se il lavoro in un ambiente umido è strettamente necessario, utilizzare una presa protetta da dispositivo a corrente residua.** Ciò riduce i rischi di scosse.

3. SICUREZZA PERSONALE

- a) **L'uso di elettro utensili richiede attenzione e buon senso. Non utilizzare gli utensili se si è stanchi o sotto l'effetto di droghe, alcol o medicinali.** Una breve disattenzione può provocare gravi danni alle persone.
- b) **Munirsi di indumenti e dispositivi di protezione. Indossare sempre occhiali da lavoro.** L'uso di dispositivi di protezione tra cui mascherina antipolvere, scarpe antiscivolo, casco e protezioni per l'udito riduce il rischio di danni a persone.
- c) **Evitare l'accensione accidentale. Accertarsi che l'interruttore sia in posizione "OFF" prima di inserire la spina.** Se si trasportano gli utensili con il dito sull'interruttore o si inserisce la spina nella presa con l'interruttore in posizione "ON" aumenta il rischio di incidenti.
- d) **Togliere tutte le chiavi di regolazione prima di accendere l'utensile.** Una chiave lasciata inserita in una parte rotante di un utensile può provocare danni a persone.
- e) **Non utilizzare l'utensile in condizioni estreme. Mantenere sempre l'equilibrio ed i piedi ben appoggiati a terra.** Questo consente un maggior controllo dell'utensile in caso di imprevisti.

- f) **Indossare un abbigliamento adeguato. Non indossare abiti svolazzanti o gioielli. Tenere capelli, vestiti, e guanti lontani dalle parti in movimento. Abiti svolazzanti, gioielli o capelli potrebbero impigliarsi nelle parti in movimento.**
- g) **In presenza di apparecchiature per il collegamento a dispositivi di aspirazione e raccolta delle polveri, accertarsi che essi siano collegati ed utilizzarli correttamente. L'uso di queste apparecchiature può ridurre i rischi causati dalla polvere.**

4. USO E MANUTENZIONE DELL'UTENSILE

- a) **Utilizzare l'utensile più adatto per il lavoro da svolgere. L'impiego dell'utensile giusto migliora la qualità del lavoro e la sicurezza.**
- b) **Non utilizzare l'utensile se non è possibile accenderlo e spegnerlo con l'apposito interruttore. Gli utensili che non possono essere controllati con l'interruttore sono pericolosi e devono essere riparati.**
- c) **Staccare la spina dall'alimentazione di corrente prima di eseguire regolazioni, cambiare accessori o riporre l'utensile. Osservando queste precauzioni si riduce il rischio di accensione accidentale dell'utensile.**
- d) **Riporre gli utensili non utilizzati fuori dalla portata dei bambini e non consentirne l'utilizzo a persone che non conoscono l'utensile o queste istruzioni. Nelle mani di persone inesperte gli utensili possono diventare pericolosi.**
- e) **Sottoporre l'utensile a manutenzione. Verificare il corretto allineamento di tutte le parti mobili, controllare che non siano grippate e che non vi siano rotture o altri guasti che potrebbero influire sul funzionamento dell'utensile. Far riparare gli utensili danneggiati prima di riutilizzarli. Molti incidenti sono causati da utensili in pessime condizioni.**
- f) **Tenere le punte e gli strumenti da taglio puliti ed affilati. Se sottoposti ad una regolare manutenzione e pulizia consentono di lavorare in modo più preciso e sono maggiormente controllabili.**
- g) **Utilizzare l'utensile, gli accessori, gli attrezzi etc. secondo quanto indicato in queste istruzioni nonché tenendo in considerazione le condizioni di lavoro e il lavoro da eseguire. L'impiego di utensili per scopi diversi da quelli per cui sono stati**

progettati può dare origine a situazioni pericolose.

5. MANUTENZIONE

- a) **Far riparare l'utensile da personale qualificato che utilizzi solo parti di ricambio originali. In caso contrario la sicurezza dell'utensile potrebbe risultare compromessa.**

IV - Ulteriori norme di sicurezza per avvitatori/trapani a batteria

- Questo utensile è sempre pronto all'uso, in quanto non necessita di essere collegato ad una presa di corrente per entrare in funzione. Bloccare sempre l'interruttore in posizione "OFF" quando si rimuove o si inserisce la batteria.
- Se possibile fissare sempre il pezzo da forare con morsetti o con una morsa a vite.
- Non toccare la punta dopo l'uso, essendo questa surriscaldata.
- Si consiglia l'uso di cuffie o tappi per le orecchie. In caso di ambiente di lavoro polveroso indossare una mascherina antipolvere.
- La polvere che si crea lavorando materiali contenenti quarzo (biossido di silicio) è dannosa per la salute. Non lavorare materiali contenenti amianto.
- Non utilizzare la macchina per scopi diversi da quelli indicati in queste istruzioni. L'uso per qualsiasi altra finalità sarà considerato uso improprio. In tal caso sarà l'utente e non l'azienda produttrice ritenuto responsabile di eventuali danni o lesioni.
- Per un utilizzo corretto di questo elettroutensile è necessario osservare le avvertenze di sicurezza, le norme supplementari e le istruzioni d'uso fornite in questo opuscolo. Tutti gli utenti della macchina devono aver letto queste istruzioni e devono essere a conoscenza degli eventuali rischi. Bambini e persone di corporatura debole non devono maneggiare l'utensile. Bambini nelle vicinanze dell'area di lavoro devono essere tenuti sotto stretto controllo. È assolutamente necessario attenersi alle disposizioni di prevenzione dagli infortuni, così come alle norme di sicurezza sul lavoro vigenti nella Sua area.
- L'azienda produttrice non è responsabile per

eventuali modifiche apportate all'utensile da parte dell'utente o per danni causati da tali modifiche.

Persino un uso corretto dell'utensile non preclude tutti gli ulteriori rischi. I seguenti rischi potrebbero derivare da particolarità costruttive o dalla progettazione:

- danni ai polmoni, in caso di mancato uso di un'efficace mascherina antipolvere
- danni all'udito, in caso di mancato uso di efficaci cuffie di protezione.

V - Istruzioni per l'uso del caricabatteria

- Prima di utilizzare il caricabatteria leggere tutte le istruzioni e le avvertenze indicate sulle etichette nonché le istruzioni d'uso delle batterie.
- Ricaricare la batteria solo ed esclusivamente in luoghi chiusi e ben arieggiati.



ATTENZIONE: Se la batteria è rotta o danneggiata in alcun modo, non inserirla nel caricabatteria. Sussiste il pericolo di scosse.



ATTENZIONE: Il caricabatteria non deve entrare in contatto con nessuna sostanza liquida. Sussiste il pericolo di scosse.

- Il caricabatteria è indicato per l'uso con sole batterie SPARKY, come quelle fornite con la macchina. L'uso di altre batterie può causare incendi o scosse.
- Il caricabatteria e le batterie fornite con la macchina sono stati progettati per essere utilizzati assieme. Si consiglia di non caricare le batterie con un caricabatteria diverso da quello fornito.
- Non porre alcun oggetto sul caricabatteria, potrebbe comportare un surriscaldamento dello stesso. Non riporre il caricabatteria vicino a fonti di calore.
- Per staccare il caricabatteria dalla corrente elettrica non tirare il cavo dal caricabatteria.
- Accertarsi che il cavo del caricabatteria sia posizionato in modo tale da non essere calpestato e/o danneggiato e da non costituire inciampo alcuno.
- Non utilizzare alcuna prolunga se non sia indispensabile. L'uso di una prolunga non adatta può causare incendi o scosse.
- Non utilizzare il caricabatteria se ha subito precedentemente dei colpi, se stato fatto cadere o

se danneggiato in alcun modo. Evitarne l'uso inoltre se il cavo o la spina sono danneggiati, devono essere sostituiti immediatamente. Si consiglia di recarsi in un centro di assistenza autorizzato per sottoporre il caricabatteria a controlli o per eventuali riparazioni.

- Non smontare il caricabatteria. Si consiglia di consegnarlo ad un centro autorizzato in caso sia necessaria dell'assistenza o delle riparazioni. Un riassettaggio incorretto potrebbe causare incendi o scosse.
- Prima di iniziare le operazioni di pulizia, staccare la spina del caricabatteria, riducendo così il rischio di scosse. La sola rimozione della batteria non riduce il rischio.
- Non collegare mai 2 caricabatteria tra di loro.
- Non conservare o utilizzare l'utensile e la batteria in ambienti dove la temperatura raggiunga o superi i 40,5°C, come ad esempio in roulotte oppure sotto tettoie o costruzioni in metallo durante i mesi estivi.
- Il caricabatteria è progettato per essere collegato ad una rete elettrica con tensione di alimentazione standard (230-240 V). Non connetterlo ad una fonte di alimentazione con tensione diversa da quella prevista.
- Se si desidera ricaricare un'ulteriore batteria, staccare la spina e lasciare raffreddare il caricabatteria per 15 minuti. Al termine di tale operazione è possibile ricaricare la batteria.
- In determinate condizioni può succedere che, all'interno di una caricabatteria collegato alla rete elettrica, un materiale estraneo causi un cortocircuito tra i contatti scoperti. Tenere materiali conduttori come lana d'acciaio, fogli di alluminio, o qualsiasi altro materiale metallico lontani dalle aperture del caricabatteria. Staccare sempre la spina dopo aver rimosso la batteria.
- Non congelare il caricabatteria o immergerlo in acqua e/o altri liquidi.

VI - Istruzioni per l'uso della batteria

- La batteria non viene fornita totalmente carica. Prima dell'uso caricarla completamente.



ATTENZIONE! Se la batteria presenta delle crepe o è danneggiata in alcun modo non inserirla nella caricabatteria: sussiste pericolo di scosse.



- Per assicurare una lunga durata ed un ottimo funzionamento della batteria, caricarla in ambienti ad una temperatura compresa tra i 18° e i 24° C. Non caricare la batteria in ambienti a temperatura inferiore ai 4,5° C o superiore ai 40,5° C. Questa indicazione deve essere assolutamente osservata in quanto permette di evitare gravi danni alla batteria.
- Il caricabatteria e la batteria potrebbero surriscaldarsi durante l'operazione di ricarica. Ciò è normale e non è indice di problemi.
- Per evitare che si surriscaldi, non caricare la batteria al sole, a temperature elevate, o nelle vicinanze di fonti di calore.
- Non caricare la batteria in una cabina o in un container. L'operazione di carica deve avvenire in luoghi ben areati.
- In casi particolari ed in condizioni di lavoro estreme potrebbe succedere che una piccola perdita di liquidi fuoriesca dalla batteria. Ciò non implica che la batteria sia danneggiata. Verificare le parti dove si è riversato il liquido, pulirle e se necessario sostituirle.
- Se la batteria non si carica in modo corretto:
 - (1) Controllare la presa di corrente inserendo la spina di una lampada o tramite un cercafase.
 - (2) Spostare il caricabatteria in un ambiente a temperatura compresa tra i 18° e i 24° C.
 - (3) Se i problemi persistono, portare personalmente o spedire l'utensile insieme al caricabatteria e alla batteria al centro di assistenza più vicino.
- La batteria deve essere caricata quando smette di produrre potenza sufficiente per operazioni che venivano effettuate prima con facilità. In tale caso **SOSPENDERE IL LAVORO**. Cominciare la procedura di caricamento. L'accumulatore agli ioni di litio può essere caricato in qualunque momento, senza che ciò riduca la sua longevità. Interruzione del processo di caricamento non può arrecare alcun danno.
- Non bruciare la batteria, anche se gravemente danneggiata o non può più essere caricata: potrebbe esplodere.
- Per facilitare il raffreddamento dopo l'uso, evitare di porre la batteria o il caricabatteria sotto una tettoia di metallo o in una roulotte priva di isolamento termico.



ATTENZIONE! Non aprire la batteria per alcun motivo. Se la cassa di plastica è danneggiata o crepata, consegnare la batteria presso un centro di raccolta.

LEGGERE ATTENTAMENTE TUTTE LE ISTRUZIONI RELATIVE AL CARICABATTERIA PRIMA DI PROCEDERE CON LA CARICA.

- Utilizzare sempre batterie originali SPARKY (quella fornita con la macchina così come quella di ricambio). L'uso di altre batterie rispetto a quelle previste può danneggiare l'utensile e provocare situazioni pericolose.
- Caricare batterie solo con caricabatteria originali SPARKY.
- Non smaltire le batterie con i rifiuti domestici. Secondo le direttive europee le batterie usate devono essere smaltite separatamente e sottoposte ad un sistema di riciclaggio ecologico.

INSTALLAZIONE E RIMOZIONE DELLA BATTERIA

Per rimuovere la batteria: premere i due pulsanti per sbloccaggio della batteria (4) e tirarla fuori dal corpo dell'elettrooutensile.



ATTENZIONE: Mettere sempre il commutatore per inversione del senso di rotazione (3) nella posizione media prima di svolgere qualsiasi attività sull'elettrooutensile, per esempio l'installazione o rimozione della batteria, cambio di punta, trasporto, manutenzione o conservazione dell'elettrooutensile.

Per installare la batteria: collocare la batteria nell'apertura alla base dell'elettrooutensile fino a sentire lo scatto.

CARICAMENTO DELLA BATTERIA

- Innestare la spina del cordone del caricabatterie in una presa. Sull'indicatore del caricabatterie (10) si illuminerà il diodo elettroluminescente verde, che indica la presenza di tensione dalla rete.
- Mettere la batteria (5) nella sede del caricabatterie destinata ad essa (9), facendo attenzione alla posizione dei poli. (Fig. 1)
- Le nuove batterie funzionano accuratamente dopo 5 cicli di caricamento/scarica. Le batterie non usate per lungo tempo devono essere caricate e scaricate 2 o 3 volte finché comincino a funzionare bene.
- Quando il tempo di utilizzazione della batteria viene ridotto considerevolmente, nonostante il suo pieno caricamento, probabilmente la longevità della batteria è esaurita. La batteria deve essere sostituita subito.





ATTENZIONE: La batteria viene caricata completamente in circa 30 minuti. Dopo la scadenza di tale periodo, estrarre la batteria dal caricabatterie.

Indicazioni sull'estrazione:

- Quando il caricabatterie viene inserito nella rete, si illumina il diodo elettroluminescente verde.
- Avendo posto la batteria nel caricabatterie, il diodo elettroluminescente verde si spegne e si illumina il diodo elettroluminescente rosso, con cui si indica l'inizio del processo di caricamento.

Durante il caricamento il caricabatterie e la batteria possono essere caldi al tatto. Ciò è normale e non indica la presenza di qualunque problema.

- Dopo la fine del processo di caricamento, il quale dura circa 30 minuti, il diodo elettroluminescente rosso si spegne e si illumina il diodo elettroluminescente verde.

Il caricabatterie ha la protezione termica per prevenire il sovraccarico della batteria caricata. Ciò nonostante consigliamo di estrarre la batteria dal caricabatterie immediatamente dopo la fine del processo di caricamento. Si può usare in aggiunta un orologio elettrico-interruttore (temporizzatore), per controllare precisamente il tempo di caricamento.

CONSIGLI PER OTTENERE UNA LONGEVITÀ MAGGIORE DELLE BATTERIE

- Quando l'accumulatore non viene usato, tenerlo a distanza da graffette, monete, chiavi, chiodi, viti o altri piccoli oggetti metallici, i quali potrebbero cortocircuitare i suoi terminali. Il cortocircuito dei terminali della batteria può causare un corto circuito e provocare un incendio o esplosione.
- Disinnestare sempre il caricabatterie dalla presa quando non viene usato, e conservarlo in un luogo secco e sicuro.
- Non caricare batterie e non conservare il caricabatterie in vani dove la temperatura può scendere sotto lo 0°C, o superare i +40°C.

VII - Prendere visione dell'elettrotensile

Prima di cominciare il lavoro con l'elettrotensile, prendere conoscenza di tutte le caratteristiche

operative e condizioni di sicurezza.

Usare l'elettrotensile e i suoi accessori soltanto secondo la destinazione d'uso. Qualsiasi altro impiego è espressamente vietato.

1. Mandrino a serraggio rapido
2. Commutatore dei settori di velocità
3. Commutatore per inversione del senso di rotazione
4. Pulsanti per sblocco della batteria
5. La batteria
6. Interruttore
7. Illuminazione a diodi elettroluminescenti dell'area di lavoro
8. Regolatore della coppia
9. Caricabatterie
10. Indicatore del caricabatterie a diodi elettroluminescenti

VIII - Istruzioni per l'uso

ILLUMINAZIONE A DIODI ELETTROLUMINESCENTI DELL'AREA DI LAVORO

L'elettrotensile è munito di illuminazione a diodi elettroluminescenti (7) per aumentare l'illuminazione dell'area di lavoro quando si opera in luoghi che non sono abbastanza illuminati. L'illuminazione a diodi elettroluminescenti sta inserita finché l'interruttore (6) è premuto.

SCEGLIERE IL SENSO DI ROTAZIONE

La posizione estrema destra della leva (3) (guardando da dietro) significa rotazione in senso antiorario, e quella estrema sinistra - in senso orario. Se si preme l'interruttore (6), la leva (3) non può essere azionata. (Fig. 2)



ATTENZIONE: Effettuare il cambio del senso di rotazione soltanto quando l'alberino non gira.

Per praticare fori e stringere viti si usa un interruttore, disposto nella posizione estrema sinistra. Allentamento di viti viene fatto con l'interruttore nella posizione estrema destra.

AVVIAMENTO - ARRESTO

Avviamento: premere l'interruttore (6).

Arresto: rilasciare l'interruttore (6).

L'elettrotensile è munito di un freno. L'alberino smette di girare immediatamente dopo il completo rilascio della leva dell'interruttore.

REGOLAZIONE ELETTRONICA CONTINUA DEL NUMERO DEI GIRI

Premerendo lievemente il pulsante (6) si mette in moto il trapano a giri bassi, i quali aumentano dolcemente fino al massimo con l'aumento della pressione sull'interruttore, finché si arrivi alla posizione estrema.

REGOLAZIONE DELLA COPPIA

Girare l'anello sul mandrino, per mettere il regolatore (8) in una di 19 posizioni, ed impostare la coppia.

Le posizioni del regolatore della coppia (8) permettono un migliore controllo sull'elettrotutensile, quando viene usato come cacciavite, evitando così l'eccessivo stringimento delle viti.

La grandezza della coppia viene indicata con una delle cifre segnate intorno all'anello. Quanto maggiore è la cifra segnata sull'anello, tanto maggiore è la coppia. Per scegliere una coppia adatta, girare l'anello finché la rispettiva cifra non si posi contro la freccia sul corpo del trapano.

 1 19	<p>Stringere/allentare viti Mettere il regolatore della coppia (8) in una di queste 19 posizioni. La coppia inferiore è conveniente per stringere viti dal diametro piccolo e in materiale di bassa durezza. La coppia superiore è conveniente per stringere viti dal diametro grosso e in materiale di alta durezza.</p>
	<p>Foratura Mettere il regolatore della coppia (8) contro questo simbolo, per scegliere foratura in metallo, legno, ecc. L'elettrotutensile è munito di un freno. L'alberino smette di girare immediatamente dopo il completo rilascio del pulsante dell'interruttore. A sovraccarico dell'elettrotutensile in regime di foratura, rilasciare subito l'interruttore, per prevenire surriscaldamento del motore a lavoro continuativo.</p>

COMMUTATORE DI VELOCITÀ (FIG. 3)

Il commutatore di velocità a due gradi (2) permette una scelta della trasmissione più adatta con velocità e coppia ottimali per l'applicazione concreta.



ATTENZIONE: Cambiare le marce soltanto a trapano disinserito.

1. Per scegliere una marcia bassa (velocità bas-

sa, coppia alta) far scivolare il commutatore dei settori di velocità (2) indietro. Il numero 1 indicato sul selettore mostra la velocità selezionata.

2. Per scegliere una marcia alta (velocità alta, coppia bassa) far scivolare il commutatore delle velocità (2) in avanti. Il numero 2 indicato sul selettore mostra la velocità selezionata.

METTERE E TOGLIERE UNA PUNTA

(Fig. 4)



ATTENZIONE: Tirare fuori la batteria o mettere il commutatore per inversione del senso di rotazione (3) nella posizione media (neutrale) (A).

Il trapano è munito di alberino autobloccante, e ciò significa che se ci cerca di girare il mandrino a mano, l'alberino si blocca automaticamente. Per togliere o regolare la lunghezza della punta, è necessario tenere stretto il mandrino e girare il suo corpo.

- Afferrare la macchina con una mano e girare il mandrino con l'altra.
- Per aprire il mandrino, girarlo in senso antiorario. (B)
- Per chiudere il mandrino, girarlo in senso orario. (D)
- Mettere la punta. (C)
- Chiudere il mandrino.
- Eseguire una messa in moto sperimentale, per verificare se la punta sia fissata correttamente nel centro del mandrino.

CAMBIO DEL MANDRINO



ATTENZIONE: Il cambio del mandrino va effettuato solamente in un centro assistenza autorizzato. Si prega di non cambiare il mandrino con arnesi a portata di mano, siccome così si potrebbe danneggiare il trapano a batteria.

PRATICARE FORI

Praticare fori in metallo

- Per ottenere un buon risultato, usare punte in acciaio rapido per metallo o acciaio.
- Mettere il regolatore della coppia (8) nella posizione di foratura "punta".
- Cominciare la foratura a bassa velocità, affinché la punta non slitti dal posto iniziale.
- Serrare sempre bene i fogli di acciaio.

- Fissare i fogli sottili di metallo con blocchetti di legno, per non spostarsi.
- Usare un oggetto acuto, per segnare il centro del foro da praticare.
- Usare un lubrificante, adatto per il materiale lavorato.

Materiale	Liquido lubrificante
Acciaio	Olio lubrificante
Alluminio	Trementina o paraffina
Ottone, rame, ghisa	Non si usa liquido lubrificante

Praticare fori in plastica e truciolato rivestito di plastica

- Usare punte in acciaio rapido.
- Leggere qui di seguito la sezione "Praticare fori in legno".

Praticare fori in legno

- Per ottenere un buon risultato, usare punte in acciaio rapido per forare in legno.
- Mettere il regolatore della coppia (8) nella posizione di foratura "punta".
- Cominciare la foratura a bassa velocità, affinché la punta non slitti dal posto iniziale. Aumentare la velocità quando la punta penetra nel materiale.
- Quando si pratica un foro passante, porre un pezzo di legno sotto il materiale lavorato, per prevenire lacerazione o spaccatura della parte posteriore del foro.


Tutte le operazioni di foratura


- Usare soltanto punte acute.
- Segnare in anticipo il centro del foro da praticare, con un punteruolo o chiodo.

STRINGERE / ALLENTARE VITI


Scegliere una coppia adatta, mettendo una delle cifre segnate sul regolatore della coppia (8), contro la freccia sul corpo.

Mettere la punta necessaria.

 **ATTENZIONE:** L'eccessivo stringimento può causare la rottura della vite o danneggiare la punta.

 **ATTENZIONE:** Se la macchina viene tenuta sotto un angolo rispetto alla vite che viene stretta, si può danneggiare la testa della vite, ossia la coppia non sarà trasmessa interamente alla vite. Tenere sempre la macchina e la vite sotto stringimento allineate.

IX - Manutenzione

 **ATTENZIONE:** Prima di iniziare qualsiasi operazione con la macchina (inserimento ed estrazione della batteria, cambio della punta, lavori di manutenzione, etc.) spostare sempre l'interruttore per il senso di rotazione (3) in posizione centrale.


Verificare regolarmente che tutte le viti della cuffia siano fissate saldamente. Dopo un uso prolungato potrebbero infatti allentarsi a causa delle vibrazioni.


PULIZIA

Per poter garantire buone e sicure operazioni di lavoro, tenere la macchina e le fessure di ventilazione sempre pulite.

Verificare regolarmente che polvere o altri corpi estranei non siano penetrati nelle fessure di ventilazione o attorno agli interruttori. Utilizzare uno spazzolino morbido per rimuovere la polvere depositatasi. Proteggere gli occhi durante la pulizia indossando occhiali da lavoro

Per pulire la macchina utilizzare un panno umido. È possibile utilizzare un leggero detersivo.

 **ATTENZIONE!** Non utilizzare alcol, benzina o altri solventi. È sconsigliato l'uso di detersivi aggressivi per la pulizia delle parti in plastica.

 **ATTENZIONE!** Evitare il contatto della macchina con l'acqua.

PULIZIA DEL CARICABATTERIA



ATTENZIONE: Disinserire la spina dalla presa di corrente prima di pulire la caricabatteria.

- Per rimuovere polvere o grasso dalle parti esterne utilizzare un panno o uno spazzolino morbido. Non utilizzare acqua o altri detersivi.

IMPORTANTE! Per garantire la sicurezza e l'affidabilità dell'utensile, riparazioni, lavori di manutenzione ed altre regolazioni (incluso il controllo e l'eventuale sostituzione delle spazzole) devono essere effettuate da centri di assistenza SPARKY autorizzati, dove vengono adoperate solo parti originali.

X – Rispetto dell'ambiente

Macchina, accessori ed imballaggio devono essere destinati ad una riutilizzazione ecologica per il recupero di materie prime.

Per i paesi EU:

Non smaltire elettroutensili e/o caricabatteria insieme a rifiuti domestici! Residui di prodotti elettrici devono essere smaltiti separatamente dai rifiuti domestici e sottoposti ad un riciclaggio ecologico secondo la direttiva 2002/96/CE.

Batterie:



Non smaltire la batteria insieme ad altri rifiuti domestici, non infiammarla né gettarla in acqua. Ogni tipo di batteria deve essere riciclata rispettando rigorosamente le norme a tutela ambientale.

Solo per i Paesi della CE:

Ogni tipo di batteria difettosa oppure esaurita deve essere riciclata secondo la direttiva 91/157/CEE.

XI - Garanzia

Il periodo di garanzia per gli utensili SPARKY ha validità a partire dalla data di acquisto ed è conforme alle normative europee.

Non sono coperti da garanzia danni derivanti da usura, sovraccarico o uso improprio.

L'azienda produttrice assicura la sostituzione di tutte le parti non funzionanti in cui si riconoscano difetti di materiale e/o di lavorazione.

Le prestazioni di garanzia saranno erogate solo se la macchina richiesta sarà inviata in condizioni integre al rivenditore o ad un centro di assistenza, accompagnata dallo scontrino fiscale.

Ulteriori informazioni

Leggere attentamente tutte le istruzioni sull'uso prima di adoperare questo prodotto.

L'azienda produttrice si riserva il diritto di apportare modifiche tecniche senza preavviso.

Le specifiche tecniche possono variare da paese a paese.

Contenido

I - Introducción	47
II - Datos técnicos	49
III - Instrucciones de seguridad generales al trabajar con herramientas eléctricas	50
IV - Normas adicionales de seguridad durante el trabajo con taladros atornilladores a batería	51
V - Normas adicionales de trabajo con el cargador de batería	52
VI - Normas adicionales de trabajo con baterías	53
VII - Componentes de la herramienta eléctrica	A/54
VIII - Instrucciones de trabajo	55
IX - Mantenimiento	57
X - Protección medioambiental	57
X - Garantía	58

DESEMBALAJE

Debido a la moderna tecnología de producción en masa, es poco probable que su herramienta sea defectuosa o que falte una pieza. Si encuentra algo mal, no trabaje con la herramienta hasta que se haya puesto la pieza o se haya arreglado la avería. El incumplimiento de esta indicación puede provocar un grave daño personal.

ENSAMBLAJE

El taladro atornillador a batería se suministra envasado y completamente ensamblado.

I - Introducción

Su nueva herramienta SPARKY satisfará totalmente sus expectativas. Ha sido fabricada conforme a las exigentes Normas de calidad de SPARKY para cumplir los más elevados requisitos de funcionamiento. Su nueva herramienta es fácil y segura de manejar y, con el debido cuidado, le dará muchos años de servicio fiable.



AVISO!

Lea detenidamente todo el Manual de instrucciones antes de usar su nueva herramienta SPARKY. Preste especial atención a los **Avisos**. Su herramienta SPARKY tiene muchas funciones que harán más rápido y seguro su trabajo. La seguridad, el funcionamiento y la fiabilidad son las mayores prioridades del desarrollo de esta herramienta, lo que la hace fácil de mantener y manejar.



No tire los productos eléctricos a la basura!

Los productos eléctricos no se deben tirar a la basura. Por favor recíclelos en el lugar adecuado. Póngase en contacto con su ayuntamiento o con una empresa de reciclaje.



PROTECCIÓN MEDIOAMBIENTAL

El aparato, sus accesorios y embalaje deberán separarse para reciclarse cada uno por su lado. Los componentes de plástico llevan una etiqueta del tipo de reciclado.

DESCRIPCIÓN DE LOS SÍMBOLOS

La placa de su herramienta puede contener símbolos, que representan información importante sobre el producto o instrucciones de uso.



Doble aislamiento de protección adicional



Uso interno solamente



No exponer a la lluvia o al agua



No incinerar



Siempre cargar el pack de batería bajo temperaturas entre 0°C y 40°C



Compatible con las normas europeas de seguridad



Compatible con los requisitos de los documentos normativos rusos



Compatible con los requisitos de los documentos normativos ucranianos



Infórmese sobre las instrucciones de uso

Período de producción en que los símbolos variables son:
YYWww **YY** – los dos últimos números indican el año de producción,
ww – semana natural consecutiva

II - Datos técnicos

Modelo	BR2 7.2Li HD	
▪ Motor eléctrico:	V	7.2
▪ Velocidad en marcha en vacío (I velocidad / II velocidad)	min ⁻¹	0-190/0-600
▪ Momento rotatorio máximo	Nm	13
▪ Regulación del momento rotatorio (número de posiciones del regulador)		19+1
▪ Anchura del mandril	mm	0.6-6
▪ Diámetro máximo de la broca para acero/madera	mm	4 / 6
▪ Diámetro máximo del tornillo para madera	mm	6
▪ Regulación electrónica de las revoluciones, marcha izquierda - derecha		sí
▪ Freno eléctrico		sí
▪ Broca de autocierre		sí
▪ Iluminación de diodo luminiscente de la zona de trabajo		sí
▪ Indicación de diodo luminiscente de la carga		sí
▪ Transmisión de dos velocidades		sí
▪ Peso (con la batería) (EPTA Procedure 01/2003)	kg	0.7
INFORMACIÓN SOBRE RUIDOS Y VIBRACIONES		
<i>(Los valores se han medido según la norma EN 60745.)</i>		
▪ Emisión de ruidos:		
A-nivel medido de presión acústica L _{pA}	dB(A)	60
Indeterminación K _{pA}	dB	3
A-nivel medido de potencia acústica L _{WA}	dB(A)	71
Indeterminación K _{WA}	dB	3
⚠ ¡Utilice medios de protección del ruido!		
▪ Emisión de vibraciones *		
<i>Valor total de las vibraciones (suma vectorial de tres direcciones) determinado según la norma EN 60745:</i>		
Valor de las vibraciones emitidas a _{hD}	m/s ²	0.7
Indeterminación K _{hD}	m/s ²	0.15
<i>* Las vibraciones se han determinado según el punto 6.2.7 de la norma EN 60745-1.</i>		
BATERÍA (Li-ion):		
▪ Voltaje:	V	7.2
▪ Capacidad	Ah	1.3
CARGADOR DE BATERÍA:		
▪ En la entrada:		
Voltaje / frecuencia	V~Hz	230~50
Potencia consumida	W	32
▪ Voltaje inicial / corriente eléctrica	V/A	8 / 3
▪ Tiempo de carga	min	30

El nivel de emisión indicado en la presente información ha sido medido de acuerdo con un ensayo estandarizado recogido en EN 60745 y puede usarse para comparar una herramienta con otra. Puede utilizarse para un informe preliminar de exposición.

El nivel de emisión de vibraciones declarado se aplica a las principales aplicaciones de la herramienta. De todos modos, si la herramienta se utiliza para aplicaciones diferentes, con accesorios diferentes o pobremente mantenida, la emisión de vibraciones puede variar. Esto puede aumentar significativamente el nivel de exposición durante el tiempo total de trabajo.

Una estimación del nivel de exposición a la vibración también debería tener en cuenta el tiempo en que la máquina está apagada o cuando está en marcha, pero no trabajando. Esto puede reducir de forma importante el nivel de exposición durante el tiempo total de trabajo.

Mantenga la herramienta, los accesorios y sus propias manos calientes mientras trabaje con el taladro, con el fin de reducir el doloroso efecto de las vibraciones.

Polvos de materiales como por ejemplo pinturas que contienen plomo, ciertos tipos de madera, minerales y meta II pueden ser nocivos para la salud. El contacto o la inhalación de los polvos puede provocar reacciones alérgicas y/o problemas de respiración del usuario o personas que se encuentren en su cercanía.

Ciertos polvos como polvo de roble o encina se consideran cancerígenos, especialmente en combinación con aditivos para el tratamiento de madera (cromato, agentes de protección de madera). Materiales con asbesto solamente deben ser tratados por personas especializadas.

- Si posible, utilice un dispositivo de aspiración de polvo.
 - Para obtener un alto grado de colección de polvo durante el trabajo con esta herramienta eléctrica use una aspiradora adecuada para polvo de madera y polvo mineral.
 - Mantenga bien ventilado el lugar de trabajo.
 - Se recomienda llevar una máscara de protección de polvo con clase de filtro P2.
- Respete los reglamentos vigentes en su país para los materiales a tratar.

III - Advertencias generales de seguridad de la herramienta

⚠ AVISO! Lea todos los avisos de seguridad y todas las instrucciones. El hecho de no seguir los avisos e instrucciones puede provocar una descarga eléctrica, fuego y/o un daño grave.

Guarde en lugar seguro todos los avisos e instrucciones para futuras consultas.

El término "herramienta" de los avisos se refiere a su herramienta eléctrica con cable o a batería.

1. SEGURIDAD DE LA ZONA DE TRABAJO

- Mantenga limpia y bien iluminada su zona de trabajo. Las zonas sucias u oscuras pueden provocar accidentes.
- No trabaje con la herramienta en ambientes explosivos, como en presencia de líquidos inflamables, gases o polvo. Las herramientas producen chispas que pueden provocar la ignición del polvo o de los gases.
- Las distracciones pueden provocar pérdidas de control.

2. SEGURIDAD ELÉCTRICA

- Los enchufes de la herramienta tienen que coincidir con la toma de corriente. No utilice adaptadores con herramientas en contacto con el suelo (enterradas). Los enchufes y tomas sin modificar reducirán el riesgo de descarga eléctrica.
- Evite el contacto corporal con superficies con contacto a tierra, como tuberías, radiadores, cocinas y frigoríficos. Hay un

aumento del riesgo de descarga eléctrica si su cuerpo está en contacto con el suelo o enterrado.

- No exponga las herramientas a la lluvia o a la humedad. Si entra agua en la herramienta se aumentará el riesgo de descarga.
- No haga un uso indebido del cable. No utilice nunca el cable para llevar, tirar de o desconectar la herramienta. Mantenga el cable lejos del calor, de aceites, bordes afilados o piezas sueltas. Los cables dañados o enredados aumentan el riesgo de descarga eléctrica.
- Cuando trabaje con la herramienta al aire libre, utilice una alargadera apropiada para uso al aire libre. Utilizar un cable para exteriores reduce el riesgo de descarga eléctrica.
- Si es inevitable trabajar con la herramienta en un sitio húmedo, utilice un dispositivo de corriente residual (RCD) protegido. Utilizar un RCD reduce el riesgo de descarga eléctrica.

3. SEGURIDAD PERSONAL

- Permanezca atento a lo que está haciendo y haga caso del sentido común cuando trabaje con una herramienta. No utilice la herramienta cuando esté cansado o bajo la influencia de las drogas, el alcohol o de medicación. Una pequeña falta de atención cuando se está trabajando con herramientas puede provocar un grave daño personal.
- Utilice equipos de protección personal. Lleve siempre un protector para los ojos. El equipamiento de protección, como mascarilla, zapatos de seguridad antideslizantes, casco o protección para los oídos, utilizado correctamente, reducirá los daños personales.

- c) Evite el arranque accidental. Al coger o llevar la herramienta, asegúrese de que el interruptor esté en la posición de apagado antes de conectar la herramienta a la red eléctrica o de poner la batería. *Llevar las herramientas con el dedo en el interruptor o activar las herramientas con el interruptor encendido puede provocar accidentes.*
- d) Retire las llaves de ajuste antes de encender la herramienta. *Dejar una llave cerca de una pieza rotatoria de la herramienta puede provocar un daño personal.*
- e) No se precipite. Mantenga los pies y la posición correcta en todo momento. *Esto posibilita un mejor control de la herramienta en situaciones inesperadas.*
- f) Lleve la ropa apropiada. No lleve ropa suelta o joyas. Mantenga el cabello, la ropa y los guantes lejos de piezas móviles. *La ropa suelta, las joyas o el pelo largo pueden resultar atrapados por piezas móviles.*
- g) Si las herramientas están equipadas para conectar el extractor de polvo y dispositivos de recoger el polvo, asegúrese de que estén conectados y se usen correctamente. *El uso del dispositivo de recogida de polvo puede reducir el riesgo ocasionado por el mismo.*

4. USO Y CUIDADO DE LA HERRAMIENTA

- a) No fuerce la herramienta. Utilice la herramienta adecuado para cada aplicación. *La herramienta correcta hará mejor y más seguro el trabajo para el que fue diseñada.*
- b) No utilice la herramienta si el interruptor no la enciende y apaga. *Toda herramienta que no pueda controlarse con el interruptor es peligrosa y deberá ser reparada.*
- c) Desconecte el enchufe de la toma de corriente y/o la batería de la herramienta antes de hacer cualquier ajuste, cambio de accesorios o guardar las herramientas. *Tales medidas preventivas de seguridad reducen el riesgo de encenderse accidentalmente la herramienta.*
- d) Mantenga las herramientas que no utilice fuera del alcance de los niños y no permita manejar la herramienta a personas que no estén familiarizadas con la herramienta, o que no conozcan las instrucciones. *Las herramientas son peligrosas en manos de personas no familiarizadas con su uso.*
- e) Teniendo en cuenta las condiciones de trabajo y el trabajo a realizar. *Utilizar la herramienta para acciones diferentes a las de*

su uso prescrito puede provocar situaciones peligrosas.

5. SERVICIO TÉCNICO

- a) Encargue el mantenimiento de su herramienta a una persona cualificada y utilice siempre recambios originales. *Esto garantizará que se mantenga la seguridad de la herramienta.*

IV - Normas adicionales de seguridad durante el trabajo con taladros atornilladores a batería

- Deberá ser consciente de que la herramienta eléctrica siempre está en estado de funcionamiento, dado que no es necesario que esté constantemente conectada a la red. Ponga siempre el interruptor en posición "DESCONECTADO" cuando esté colocando o retirando la batería.
- Siempre que sea posible, utilice abrazaderas o mordazas para fijar el material en procedimiento.
- No toque la broca inmediatamente después de trabajar con el taladro atornillador, ya que está muy caliente.
- Cuando trabaje con un taladro atornillador, utilice equipos de protección que incluyan gafas protectoras y antifonos. Lleve máscara contra el polvo cuando en la operación de perforación se desprenda polvo.
- El polvo desprendido durante la elaboración de los materiales que contienen cuarzo (dióxido de silicio) es nocivo para la salud. No se han de procesar materiales que contengan asbesto.
- La herramienta eléctrica deberá utilizarse sólo conforme a su destinación. Cualquier otro uso distinto del que se describe en estas instrucciones se considerará uso incorrecto. La responsabilidad por cada avería o lesión como resultado del uso incorrecto, se asumirá por el usuario, y no por el fabricante.
- Para explotar correctamente esta herramienta eléctrica, deberá tomar en consideración las normas de seguridad y las instrucciones y directrices generales de trabajo que se indican aquí. Cada usuario debe conocer estas instrucciones de explotación e informarse acerca de los riesgos a la hora de trabajar con la herra-

mienta eléctrica. La herramienta eléctrica no deberá usarse por menores ni por personas que son físicamente débiles. Si se encuentran cerca del lugar de funcionamiento de la herramienta eléctrica, los menores deberán estar bajo vigilancia permanente. Es obligatorio asimismo que se emprendan medidas de seguridad preventivas. Lo mismo se refiere también al respetar las normas básicas de salud profesional y seguridad.

- El fabricante no asume responsabilidad en cuanto a las modificaciones efectuadas por el usuario sobre la herramienta eléctrica o las averías que son provocadas por semejante tipo de modificaciones.

Incluso cuando la herramienta eléctrica se utiliza conforme a su destinación, es imposible que se eliminen todos los remanentes factores de riesgo. Los peligros enumerados más adelante podrán producirse en relación con las particularidades constructivas y el diseño de la herramienta eléctrica.

- Si no se utiliza una máscara eficiente contra el polvo, podrán surgir problemas con los pulmones.
- Si no se toman medidas efectivas de protección, podrán surgir problemas de carácter auditivo.

V - Normas adicionales de trabajo con el cargador de batería

- Antes de utilizar el cargador de batería, lea todas las instrucciones y observaciones de advertencia que afecten tanto a éste como al juego de baterías, así como las propias instrucciones de trabajo con las baterías.
- Cárguense las baterías únicamente en locales bajo techo, ya que el cargador de baterías está diseñado sólo para uso interno.



ADVERTENCIA: Si la batería está averiada por cualquier otro motivo, no la coloque en el cargador de batería. Existe peligro de choque eléctrico.



ADVERTENCIA: No permita que el agua penetre en el cargador de batería. Existe peligro de producirse un choque eléctrico.

- El cargador de batería está destinado a trabajar sólo y únicamente con la batería SPARKY incluida en el juego de suministro.
- El uso de cualquier otra batería podrá ocasionar peligro de incendio o de choque eléctrico.
- El cargador de batería y la batería incluida en el suministro han sido especialmente diseñados para trabajar conjuntamente. No cargue la batería con otro cargador de batería.
- No ponga objetos sobre el cargador de batería, ya que esto podrá provocar un sobrecalentamiento. No deje el cargador de batería cerca de fuentes de calor.
- No tire del cordón eléctrico del cargador de batería para desconectarlo de la red de alimentación.
- Convéznase de que el cordón eléctrico del cargador de batería está puesto de modo que no pueda estropearse, de que no vaya a tropezar con éste, de que no vaya a averiarse o de que éste sometido a una carga mecánica.
- No utilice alargadores, a no ser que sea terminantemente necesario. El uso de un alargador inadecuado podrá ocasionar peligro de incendio o choque eléctrico.
- No utilice el cargador de batería, si se ha sometido a un golpe fuerte, y en caso de que se haya caído o averiado de cualquier otra forma. No trabaje con el cargador de batería, si su cordón eléctrico o enchufe están averiados. Éstos se deberán sustituir inmediatamente. Entregue el cargador de batería en un centro de servicio autorizado para su revisión o reparación.
- En caso de que el cable de alimentación esté averiado, su recambio habrá de efectuarse por el fabricante o por un técnico de servicio suyo a fin de evitar los peligros relacionados con el recambio.
- No desmontar el cargador de batería. En caso de que sea necesario repararlo, diríjase a un servicio autorizado. El ensamblaje secundario incorrecto podrá ocasionar peligro de incendio o choque eléctrico.
- Para reducir el peligro de choque eléctrico, desconecte el cargador de batería de la red antes de limpiarlo. Quitando únicamente la batería no se reduce este peligro.
- Nunca intente conectar, de forma consecutiva, dos cargadores de batería juntos.
- No guarde ni utilice las baterías y el cargador de batería en lugares donde la temperatura alcance o sobrepase +40°C, por ejemplo, sotechados, caravanas o construcciones metálicas durante el verano.
- Este cargador de batería está previsto que se alimente de la red de alimentación de tensión

estándar (230–240 V). No conecte el cargador de batería a una red de alimentación de otro voltaje.

- Si desea cargar otra batería, desconecte el cargador de batería de la red de alimentación y déjelo que se enfríe al menos durante 15 minutos. Después de transcurrir este tiempo, podrá cargar la siguiente batería.
- En determinadas condiciones, cuando el cargador de batería está conectado a la red de alimentación, cualquier cuerpo externo podrá provocar un cortocircuito entre los contactos abiertos en el cargador de batería. Deberán mantenerse lejos de las oquedades del cargador de batería todos los materiales conductores, por ejemplo, lana de acero, folio de aluminio o cualquier otro material de partículas metálicas, sin considerar que los materiales enumerados agotan los posibles materiales. Desconecte siempre el cargador de batería de la alimentación eléctrica cuando la batería no esté introducida.
- No congele ni sumerja el cargador de batería en agua o en otro líquido.

VI - Normas adicionales de trabajo con baterías

- La batería para esta herramienta eléctrica se suministra sin haber sido cargada completamente. Antes de empezar a trabajar, la batería deberá cargarse completamente.



ADVERTENCIA: No coloque la batería en el cargador de batería en caso de que esté fisurada o averiada de otra forma. Existe peligro de choque eléctrico.

- La duración máxima y las cualidades de explotación pueden lograrse si la batería se carga a una temperatura ambiental entre 18°C–24°C. No cargue la batería a temperatura del medio ambiente por debajo de +4°C o por encima de +40°C. Eso es muy importante y es una premisa para evitar graves averías con la batería.
- Durante la carga, la batería y el cargador de batería podrán estar calientes al tocarlos. Eso es normal y no es un índice de que existe un problema.
- Para evitar el sobrecalentamiento, no cargue las baterías a la luz solar directa cuando el tiempo esté caluroso o cerca de fuentes de calor.

- No cargue en una cabina o en un depósito. Durante la carga, la batería deberá estar en un local bien ventilado.
- De una batería de acumuladores con defectos, podrá derramarse electrolito que mojará las piezas vecinas. Revíselas, límpielas y recámbruelas en caso de necesidad.
- Si la batería no se carga normalmente:
 - (1) Con una lámpara o un gasómetro, averigüe que en el contacto de la red no haya tensión.
 - (2) Traslade el cargador de batería con la batería a un lugar donde la temperatura del medio ambiente sea aproximadamente 18°C–24°C.
 - (3) Si de todas formas existe un problema con la carga, lleve o envíe la herramienta eléctrica junto con la batería y el cargador de batería al servicio local.
- La batería deberá cargarse cuando haya dejado de producir suficiente potencia para las operaciones que antes se realizaban fácilmente. En este caso, CESE EL TRABAJO y empiece a cargar la batería. La batería de acumulador Li-ion podrá cargarse en cualquier momento sin que ello reduzca su vida útil. La batería no se dañará si se interrumpe el proceso de carga.
- No queme baterías incluso cuando tengan graves averías o ya no puedan ser cargadas. Las baterías podrán explotar en el fuego.
- En tiempo caluroso, para facilitar el enfriamiento de la batería después del uso, evite usar la batería o el cargador de batería en un sotechado metálico, o bien en una caravana sin aislamiento térmico.



ADVERTENCIA: Nunca intente abrir la batería por ningún motivo. Si el cuerpo plástico de la batería se ha roto o se ha agrietado, entréguela al servicio para que sea reciclada.

ANTES DE INTENTAR CARGAR LA BATERÍA PARA SU HERRAMIENTA ELÉCTRICA, LEA TODAS LAS INSTRUCCIONES EN LA SECCIÓN DESTINADA AL CARGADOR DE BATERÍA.

- Utilice siempre una batería apropiada SPARKY (la que ha sido suministrada con la herramienta eléctrica o una batería de reserva que sea idéntica a ésta). Jamás ponga ninguna otra batería. Ello averiaría la herramienta eléctrica y podría ocasionar una situación peligrosa.
- Cargue las baterías sólo con cargadores de batería SPARKY.
- No tire las baterías junto con los residuos domésticos. Las baterías se han de recoger por

separado y ser entregadas para su reciclaje conforme a los requisitos para la protección del medio ambiente.

COLOCAR Y SACAR LA BATERÍA

Para sacar la batería: apriete los dos botones para desbloquear la batería (4) y sáquela fuera del cuerpo de la herramienta eléctrica.



ADVERTENCIA: Antes de realizar cualquier actividad con la herramienta eléctrica, coloque el conmutador para cambiar el sentido de rotación (3) siempre en posición media, por ejemplo, colocar y cargar la batería, sustituir un terminal, trasladar, prestar servicio o guardar la herramienta eléctrica.

Para colocar la batería: coloque la batería en la boca de la base de la herramienta eléctrica hasta que se oiga el chasquido característico.

CARGAR LA BATERÍA

- Conecte el enchufe del cargador de la batería en la toma de corriente. En el indicador del cargador de la batería (10) se iluminará el diodo luminiscente verde, indicando la existencia de voltaje de red.
- Introduzca la batería (5) en la caja del cargador de batería destinada a ello (9), tomando en consideración la posición de los polos. (Fig. 1)
- Las nuevas baterías funcionan con plena capacidad después de 5 ciclos de carga/descarga. Las baterías que no se hayan usado durante largo tiempo deberán cargarse y descargarse 2-3 veces hasta que empiecen a funcionar correctamente.
- A pesar de que la batería haya sido cargada completamente, es posible que su vida útil se haya agotado cuando el tiempo de explotación de la batería se haya reducido notablemente. La batería deberá sustituirse inmediatamente.



ADVERTENCIA: La batería se carga completamente durante 30 minutos, aproximadamente. Saque la batería del cargador después de que haya transcurrido este tiempo.

Indicación durante la carga:

- Al conectar el cargador de la batería en la red eléctrica, el diodo luminiscente verde se ilumina.
- Después de colocar la batería en el cargador, el

diodo luminiscente verde se apagará y el diodo luminiscente rojo se iluminará lo que indica que ha empezado el proceso de carga.

Al tocarse durante la carga, el cargador y la batería pueden resultar calientes. Ello es normal y no indica la existencia de problemas.

- Después de terminar el proceso de carga cuya duración es 30 minutos, aproximadamente, el diodo luminiscente rojo se apaga y se ilumina el diodo luminiscente verde.

El cargador de batería tiene protección térmica para que la batería no se sobrecargue durante la carga. A pesar de ello, recomendamos que se saque la batería del cargador inmediatamente después de que haya terminado el proceso de carga. Adicionalmente, podrá utilizarse un reloj eléctrico-interruptor (temporizador) para controlar el tiempo de carga con precisión.

CONSEJOS PARA LOGRAR UNA RESISTENCIA MÁS DURADERA DE LAS BATERÍAS

- Cuando no se utilice la batería de acumuladores, manténgala lejos de clips, monedas, llaves, clavos, tornillos u otros objetos metálicos pequeños que puedan provocar un cortocircuito con sus bornes. El cortocircuito de los bornes de la batería puede causar incendio o explosión.
- Desconecte siempre el cargador de batería de la toma de corriente eléctrica cuando no lo esté utilizando, guardándolo en un lugar seco y seguro.
- No cargue las baterías ni guarde el cargador de la batería en un lugar donde la temperatura pueda llegar a caer por debajo de 0°C o sobrepasar +40°C.

VII - Componentes de la herramienta eléctrica

Antes de empezar a trabajar con la herramienta eléctrica, infórmese sobre todas las particularidades operativas y las condiciones de seguridad. Utilice la herramienta eléctrica y sus accesorios sólo según el fin con que han sido concebidos. Queda terminantemente prohibida cualquier otra aplicación.

1. Mandril de sujeción rápida
2. Conmutador de las bandas de velocidad
3. Conmutador para cambiar el sentido de rotación
4. Botones para liberar la batería

5. Batería
6. Interruptor
7. Iluminación de diodo luminiscente de la zona de trabajo
8. Regulador del momento rotatorio
9. Cargador de batería
10. Indicador de diodo luminiscente del cargador de batería

VIII - Instrucciones de trabajo

ILUMINACIÓN DE DIODO LUMINISCENTE DE LA ZONA DE TRABAJO

La herramienta eléctrica está provista de iluminación de diodo luminiscente (7) para potenciar la iluminación de la zona de trabajo cuando se esté operando en lugares de poca luz. La iluminación de diodo luminiscente está conectada cuando el interruptor (6) está apretado.

SELECCIÓN DEL SENTIDO DE ROTACIÓN

La posición extrema derecha de la palanca (3) (vista desde atrás) significa que la rotación se efectúa en el sentido inverso de la aguja del reloj, y la posición extrema izquierda significa que la rotación es en el sentido de la aguja del reloj. Al apretar el interruptor (6), la palanca (3) no podrá activarse. (Fig. 2)



ADVERTENCIA: El cambio del sentido de rotación deberá realizarse únicamente cuando el husillo no esté girando.

Los agujeros se perforan y los tornillos se enroscan cuando el conmutador se encuentra en posición extrema izquierda. Los tornillos se desenroscan cuando el conmutador está en posición extrema derecha.

CONEXIÓN – DESCONEXIÓN

Conexión: apriete el interruptor (6).

Desconexión: afloje el interruptor (6).

La herramienta eléctrica está provista de un freno. El husillo deja de girar inmediatamente después de que la palanca del interruptor se haya aflojado completamente.

REGULACIÓN ELECTRÓNICA PROGRESIVA DE LAS REVOLUCIONES

Al apretar ligeramente el interruptor (6), el taladro se pondrá en funcionamiento en revoluciones ba-



jas, que, al apretar con mayor fuerza el interruptor, irán aumentando paulatinamente hasta las máximas y hasta llegar a la posición extrema.

REGULACIÓN DEL MOMENTO ROTATORIO

Gire el anillo que se encuentra detrás del mandril para colocar el regulador (8) en una de las 19 posiciones y programar el momento rotatorio.

Las posiciones del regulador del momento rotatorio (8) permiten un mejor control sobre la herramienta eléctrica cuando se utilice como destornillador, evitando así el apriete excesivo de los tornillos.

La dimensión del momento rotatorio se indica con una de las cifras marcadas en torno al anillo. Cuanto mayor sea la cifra que se indica en el anillo tanto mayor será el momento rotatorio. Gire el anillo hasta que la respectiva cifra se sitúe ante la flecha en el cuerpo del taladro para seleccionar el momento adecuado.

	<p>Enroscar/desenroscar tornillos</p> <p>Coloque el regulador del momento rotatorio (8) en una de las 19 posiciones. El momento rotatorio más bajo es adecuado para enroscar tornillos de diámetro más pequeño, en un material de menor dureza. El momento rotatorio más alto es adecuado para enroscar tornillos de diámetro grande, en un material de mayor dureza.</p>
	<p>Perforación</p> <p>Coloque el regulador del momento rotatorio (8) frente a este símbolo para seleccionar la perforación de agujeros en metal, madera, etc. La herramienta eléctrica está provista de un freno. El husillo deja de girar inmediatamente después de que se haya aflojado el botón del interruptor. Al sobrecargar la herramienta eléctrica en régimen de perforación, desbloquee inmediatamente el interruptor para evitar que el motor eléctrico se sobrecaliente, si se trabaja continuamente.</p>

CONMUTADOR DE VELOCIDADES (Fig. 3)

El conmutador de velocidades de dos potencias (2) permite seleccionar la transmisión más adecuada a una velocidad óptima y con un momento rotatorio de aplicación concreta.



ADVERTENCIA: Cambie las transmisiones sólo cuando el taladro esté apagado.

1. Deslice el conmutador de las bandas de velocidad (2) hacia atrás para seleccionar una transmisión baja (baja velocidad, alto momento rotatorio). La cifra **1** que viene marcada sobre el conmutador indica la velocidad que se ha seleccionado.
2. Deslice el conmutador de las bandas de velocidad (2) hacia adelante para seleccionar una transmisión alta (alta velocidad, bajo momento rotatorio). La cifra **2** que viene marcada sobre el conmutador indica la velocidad que se ha seleccionado.

COLOCAR Y RETIRAR EL TERMINAL

(Fig. 4)



ADVERTENCIA: Saque la batería o coloque el conmutador para cambiar el sentido de rotación (3) en posición (A) media (neutral).

El taladro está equipado de un husillo de autocierre lo que significa que, si se intenta girar el mandril manualmente, el husillo quedará bloqueado de forma automática. Para retirar o regular la longitud del terminal, sólo es necesario apretar fuertemente el mandril y hacer girar su cuerpo.

- Sujete la máquina con una mano y haga girar el mandril con la otra.
- Para abrir el mandril, hágalo girar en el sentido inverso de la aguja del reloj. (B)
- Para cerrar el mandril, hágalo girar en el sentido de la aguja del reloj. (D)
- Coloque el terminal. (C)
- Cierre el mandril.
- Haga una puesta en marcha de prueba para averiguar si el terminal ha sido fijado correctamente en el centro del mandril.

CAMBIO DEL MANDRIL



ADVERTENCIA: El cambio del mandril debe efectuarse solamente en un centro de servicio autorizado. Por favor, no intente cambiar el mandril con las herramientas que tiene a mano, ya que podrá dañarse el taladro atornillador a batería.

PERFORACIÓN DE AGUJEROS

Perforación de agujeros en metal

- Utilice brocas de acero de corte rápido para metal o acero a fin de obtener buenos resultados.
- Coloque el regulador del momento rotatorio (8) en la posición de perforación "broca".
- Empiece la perforación a una velocidad baja para que la broca no se deslice del punto inicial.
- Sujete siempre fuertemente las hojas de acero.
- Fije las hojas metálicas finas mediante pequeños bloques de madera para que no se muevan.
- Utilice un objeto agudo para marcar el centro del agujero a perforar.
- Utilice un líquido lubricante apropiado para el material que se está procesando.

Material	Líquido lubricante
Acero	Aceite lubricante
Aluminio	Trementina o parafina
Latón, cobre, hierro colado	No se emplea líquido lubricante

Perforación de agujeros en plástico y fibrolita revestida de plástico

- Utilice brocas de acero de corte rápido.
- Lea más abajo el apartado "Perforación de agujeros en madera".

Perforación de agujeros en madera

- Utilice brocas de acero de corte rápido para hacer perforaciones en madera a fin de obtener buenos resultados.
- Coloque el regulador del momento rotatorio (8) en la posición de perforación "broca".
- Empiece a perforar a una velocidad baja para que la broca no se deslice del punto inicial. Aumente la velocidad cuando la broca se haya introducido en el material.
- Coloque un pedazo de madera debajo del material que se está procesando a fin de evitar que se rompa o se parta la parte posterior del agujero cuando perfora un agujero de paso.


Todas las operaciones de perforación


- Utilice sólo brocas agudas.
- Marque previamente el centro del agujero que se va a perforar con un punzón o un clavo.

ENROSCAR / DEENROSCAR TORNILLOS


Seleccione el momento rotatorio apropiado, colocando una de las cifras marcadas en el regulador del momento rotatorio (8) frente a la flecha sobre el cuerpo.

Coloque el terminal necesario.

 **ADVERTENCIA:** El apriete excesivo podrá conducir a que el tornillo se rompa o que el terminal se dañe.

 **ADVERTENCIA:** Si la máquina se sostiene bajo un ángulo hacia el tornillo que se está apretando, el cabezal del tornillo podrá dañarse o el momento rotatorio no será transmitido completamente al tornillo. Mantenga siempre la máquina y el tornillo de apriete nivelados a una misma línea.

IX - Mantenimiento


 **ADVERTENCIA:** Coloque siempre el conmutador para cambiar el sentido de rotación (3) en posición media antes de realizar cualquier actividad con la herramienta eléctrica, por ejemplo, colocar y cargar la batería, cambiar el terminal, transporte, servicio o para guardar la herramienta eléctrica.


Revise con regularidad si los tornillos del cuerpo están bien apretados. Durante un trabajo continuo, los tornillos podrán aflojarse a causa de las vibraciones.

LIMPIEZA


Para un trabajo seguro, mantenga siempre limpia la máquina y los orificios de ventilación.

Revise con regularidad que en la rejilla de ventilación, cerca del motor eléctrico o alrededor de los conmutadores, no se hayan infiltrado polvo o cuerpos ajenos. Utilice un cepillo suave para eliminar el polvo acumulado. Lleve gafas protectoras para proteger sus ojos durante la limpieza. Si el cuerpo de la máquina necesita limpieza, límpiela con un paño suave y húmedo. Podrá utilizarse un suave detergente de limpieza.

 **ADVERTENCIA:** No se podrán utilizar alcohol, gasolina u otros disolventes. Para limpiar las piezas de plástico, no utilice nunca detergentes corrosivos.

 **ADVERTENCIA:** El agua no debe entrar en contacto con la máquina.

INSTRUCCIONES PARA LIMPIAR EL CARGADOR DE BATERÍA

 **ADVERTENCIA:** Antes de limpiar, desconecte el cargador de batería de la red de alimentación.

Las partes externas, sucias y engrasadas del cargador de batería, se han de limpiar con un paño o un cepillo suave, no metálico. Con este propósito, no utilice agua ni disoluciones de limpieza.

¡IMPORTANTE! Para garantizar un trabajo seguro con la herramienta eléctrica y su fiabilidad, todas las acciones relativas a la reparación, el mantenimiento y la regulación se han de efectuar en centros de servicio autorizados de SPARKY, utilizando sólo piezas de recambio originales.

X - Protección medioambiental

El aparato, sus accesorios y embalaje deberán separarse para reciclarse cada uno por su lado.

Para los países EU:

Los productos eléctricos no se deben tirar a la basura. Conforme a la Directiva Europea 2002/96/CE, deberán acumularse por separado las herramientas eléctricas para ser sometidas a un reciclaje ecológico.

Baterías:



Las baterías no se deben tirar a la basura, prenderlas fuego ó arrojarlas en agua. Todos los tipos de baterías deberán guardarse y reciclarse ó eliminarse de manera ecológica.

Sólo para los países de la UE:

Conforme a la directriz 91/157/CEE deberán reciclarse los acumuladores/pilas defectuosos o agotados.

XI - Garantía

El periodo de garantía de las herramientas SPARKY aparece indicado en la hoja de garantía.

Los daños debido a llevar ropa normal, a sobrecargas o manejo indebido se excluirán de la garantía.

Los daños debido al uso de materiales defectuosos, así como a defectos en la hechura serán subsanados libres de gastos por medio de sustitución o reparación.

Se reconocerán las quejas por herramientas SPARKY defectuosas si la máquina se devuelve al distribuidor o si se entrega al servicio autorizado de garantía sin desmontar, en su estado inicial.

Notas

Lea atentamente todo el manual del uso antes de utilizar este producto.

El fabricante se reserva el derecho a cambiar las especificaciones sin previo aviso.

Las especificaciones pueden ser distintas de país a país.

Treść

I - Wstęp	59
II - Dane techniczne	61
III - Ogólne zasady bezpieczeństwa przy pracy elektronarzędziami	62
IV - Dodatkowe zasady bezpieczeństwa dla wiertarko-wkrętarek	63
V - Dodatkowe zasady bezpieczeństwa dla ładowarek	64
VI - Dodatkowe zasady bezpieczeństwa dla akumulatorów	65
VII - Opis urządzenia	A/66
VIII - Użytkowanie	66
IX - Konserwacja	68
X - Ochrona środowiska	68
XI - Gwarancja	69

ROZPAKOWANIE

Ze względu na nowoczesne metody produkcji masowej, istnieje niewielkie prawdopodobieństwo, iż zakupione przez Państwa narzędzie jest wadliwe, bądź niekompletne. W przypadku stwierdzenia jakichkolwiek nieprawidłowości, nie uruchamiać narzędzia do chwili wymiany części lub usunięcia usterki. Niezastosowanie się do tego zalecenia może skutkować poważnym uszkodzeniem ciała.

MONTAŻ

Niniejsza wkrętarka akumulatorowa SPARKY jest zapakowana w postaci całkowicie zmontowanej.

I - Wstęp

Zakupione przez Państwa elektronarzędzie marki SPARKY spełni nawet najbardziej wygórowane oczekiwania użytkownika. Zostało ono wyprodukowane z zachowaniem rygorystycznych norm jakościowych SPARKY, aby zagwarantować doskonałe parametry pracy. Przekonają się Państwo, że Wasze nowe narzędzie jest łatwe i bezpieczne w obsłudze i, przy zachowaniu odpowiednich zasad użytkowania, będzie Wam niezawodnie służyć przez wiele lat.



UWAGA!

Przed przystąpieniem do eksploatacji zakupionego przez Państwa elektronarzędzia SPARKY należy uważnie zapoznać się z całością niniejszej Instrukcji obsługi. Ze szczególną uwagą należy traktować Ostrzeżenia. Elektronarzędzie SPARKY posiada wiele cech, które przyspieszą i ułatwią wykonywaną przez Państwa pracę. Podczas prac nad narzędziem szczególną uwagę poświęcono kwestiom bezpieczeństwa, wydajności i niezawodności, dzięki którym urządzenie jest łatwe w obsłudze.



Nie wyrzucać produktów elektrycznych razem z odpadami z gospodarstw domowych!

Zużyte artykuły elektryczne nie powinny być wyrzucane wraz z odpadami z gospodarstw domowych. Należy je utylizować w przeznaczonych do tego miejscach. Informacji na temat utylizacji udzielają władze lokalne bądź sprzedawcy.



OCHRONA ŚRODOWISKA

Utylizując urządzenie, osprzęt i opakowanie należy poddać poszczególne elementy sortowaniu z myślą o ochronie środowiska naturalnego.

Elementy plastikowe zostały odpowiednio oznaczone, aby umożliwić utylizację według odpowiedniej klasyfikacji odpadów.

OPIS SYMBOLI

Na tabliczce znamionowej narzędzia mogą znajdować się symbole oznaczające ważne informacje o produkcie lub instrukcji jego użytkowania.



Podwójna izolacja zapewnia dodatkową ochronę



Używać tylko wewnątrz pomieszczeń



Nie narażać na kontakt z wodą, deszczem



Nie spalać



Akumulatory ładować zawsze w temperaturze od 0°C do 40°C



Odpowiada europejskim standardom bezpieczeństwa



Odpowiada wymaganiom norm rosyjskich



Zgodność z wymogami ukraińskich dokumentów normatywnych



Zapoznanie się z instrukcją obsługi

YYWW

Okres produkcji, w którym zmiennymi symbolami są:
YY- ostatnie dwie cyfry roku produkcji, WW – kolejny tydzień kalendarzowy

II - Dane techniczne

Model	BR2 7.2Li HD	
▪ Silnik	V	7.2
▪ Prędkość bez obciążenia (1 bieg / 2 bieg)	min ⁻¹	0-190/0-600
▪ Maks. moment obrotowy	Nm	13
▪ Ustawienia momentu obrotowego (liczba ustawień)		19+1
▪ Zakres uchwytu samozaciskowego	mm	0.6-6
▪ Średnica wiercenia w stali/ drewnie	mm	4 / 6
▪ Maks. średnica wkrętu do drewna	mm	6
▪ Regulacja obrotów za pomocą włącznika, bieg w prawo/lewo		Tak
▪ Hamulec elektryczny		Tak
▪ Automatyczna blokada wrzeczona		Tak
▪ Oświetlenie miejsca pracy LED		Tak
▪ Wskaźnik ładowania LED		Tak
▪ Przekładnia dwubiegowa		Tak
▪ Waga (łącznie z baterią) (procedura EPTA 01/2003)	kg	0.7
INFORMACJA O EMISJI HAŁASU I DRGAŃ		
<i>(Zmierzono wartości określone zgodnie z normą EN 60745)</i>		
▪ Emisja hałasu		
Skorygowany charakterystyką częstotliwościową A poziom ciśnienia akustycznego emisji na stanowisku pracy L _{WA}	dB(A)	60
Niepewność K _{PA}	dB	3
Skorygowany charakterystyką częstotliwościową A poziom mocy akustycznej emisji na stanowisku pracy L _{WA}	dB(A)	71
Niepewność K _{WA}	dB	3
⚠ Nosić ochronę słuchu!		
▪ Emisja wibracji*		
<i>Całkowite wartości drgań (suma wektorowa z trzech kierunków) określone zgodnie z EN 60745:</i>		
Wartość emisji drgań a _{h,D}	m/s ²	0.7
Niepewność K _{n,D}	m/s ²	0.15
* Wartość emisji drgań określona zgodnie z 6.2.7 EN 60745-1.		
BATERIE (Li-ion):		
▪ Napięcie	V	7.2
▪ Pojemność	Ah	1.3
ŁADOWARKA		
▪ Wejście:		
Napięcie / częstotliwość	V~Hz	230~50
Zużycie	W	32
▪ Napięcie wyjściowe / natężenie	V/A	8 / 3
▪ Czas ładowania	min	30

Podany w niniejszej instrukcji poziom drgań został zmierzony zgodnie z określoną przez normę EN 60745 procedurą i może być używany do porównywania urządzeń. Może być stosowany do wstępnego określenia ekspozycji.

Deklarowany poziom emisji drgań odnosi się do głównego zastosowania urządzenia. Jeżeli urządzenie zostanie przeznaczone do innych zastosowań, z innym osprzętem lub nie będzie należycie konserwowane, poziom emisji wibracji może się różnić. Może to znacznie zwiększyć poziom ekspozycji w łącznym czasie pracy.

Aby dokładnie określić poziom ekspozycji na drgania, należy także brać pod uwagę okresy gdy urządzenie jest wyłączone, lub gdy nawet jest włączone, ale nie wykorzystywane do pracy. Może to znacznie obniżyć poziom ekspozycji na drgania w łącznym czasie pracy.

Chronić urządzenie oraz osprzęt oraz dbać o zapewnienie ciepła dłoniom podczas pracy w celu obniżenia szkodliwego wpływu drgań.



Pył z takich materiałów jak np. farba zawierająca ołów, niektóre gatunki drewna, minerały oraz metal może być szkodliwy. Kontakt lub inhalacja pyłów może spowodować reakcje alergiczne i/lub choroby układu oddechowego u operatora lub osób znajdujących się w bezpośredniej bliskości.

Pewne odmiany pyłów sklasyfikowane są jako rakotwórcze np. pył dębowy czy bukowy w szczególności w połączeniu z dodatkami zawierającymi chromaty i środki konserwujące. Materiały zawierające azbest mogą być obrabiane jedynie przez specjalistów.

- Tam gdzie możliwe jest stosowanie odciągu pyłów należy je stosować.
- Aby uzyskać wysoką skuteczność odciągu pyłów, stosować odkurzacz do drewna lub do drewna i minerałów wraz z niniejszym urządzeniem.
- Miejsce pracy musi być dobrze wentylowane.
- Zaleca się stosowanie maski p.pyłowej lub filtrów klasy P2.

Przestrzegać przepisów krajowych odnośnie obrabianych materiałów.

III - Ogólne wskazówki bezpieczeństwa dla elektronarzędzi



Uwaga! Przeczytać wszystkie instrukcje bezpieczeństwa. Nie przestrzeganie instrukcji i ostrzeżeń może spowodować porażenie prądem, pożar i/lub poważne obrażenia.

Zachować wszystkie instrukcje i ostrzeżenia.

Termin: „urządzenie” we wszystkich poniższych informacjach odnosi się do urządzeń zasilanych z sieci (przewodowych) oraz urządzeń akumulatorem (bezprowodowych).

1. BEZPIECZEŃSTWO MIEJSCA PRACY

- a) Miejsce pracy musi być zawsze dobrze oświetlone i czyste. Niedoświetlenie oraz nieład mogą być przyczyną wypadków.
- b) Nie należy używać urządzenia w obecności palnych płynów, gazów i pyłów. Podczas pracy urządzenia powstają iskry, które mogą zapalić pyły lub opary.
- c) Chronić przed dziećmi i osobami postronnymi. Brak skupienia może spowodować utratę kontroli nad urządzeniem.

2. BEZPIECZEŃSTWO ELEKTRYCZNE

- a) Wtyczka urządzenia musi pasować do gniazda zasilającego. Nie wolno modyfikować wtyczki w jakikolwiek sposób. Nie stosować żadnych adapterów w przypadku elektronarzędzi wymagających uziemienia. Nie modyfikowane wtyczki oraz gniazda zasilające redukują ryzyko porażenia prądem.
- b) Unikać kontaktu z uziemionymi przedmiotami takimi jak, rury, grzejniki, piece i

lodówki. Ryzyko porażenia prądem wzrasta gdy ciało użytkownika zostanie uziemione poprzez kontakt z np. ww. przedmiotami.

- c) Nie narażać urządzenia na kontakt z wodą – w takim wypadku wzrasta zagrożenie porażenia prądem.
- d) Nie przenosić, nie wyłączać ani nie ciągnąć urządzenia trzymając za przewód. Chronić przewód przed źródłem ciepła, olejami, przedmiotami o ostrych brzegach lub ruchomych częściach. Uszkodzony lub splątany przewód może zwiększyć ryzyko porażenia prądem.
- e) Podczas pracy na zewnątrz należy zawsze stosować odpowiedni przewód przedłużający. Stosowanie przewodu przeznaczanego do pracy na zewnątrz zmniejsza ryzyko porażenia prądem.
- f) Jeśli praca w wilgotnym środowisku jest nieunikniona, stosować zasilanie zabezpieczone wyłącznikiem różnicowo-prądowym. Stosowanie wyłącznika różnicowo-prądowego zmniejsza ryzyko porażenia prądem.

3. BEZPIECZEŃSTWO OSOBISTE

- a) Zawsze należy pracować w należyтым skupieniu i kierować się rozsądkiem. Nie używać urządzenia pozostając pod wpływem leków, alkoholu lub narkotyków, w trakcie leczenia lub będąc zmęczonym. Chwila nieuwagi podczas pracy urządzeniem może być przyczyną poważnych uszkodzeń ciała.
- b) Stosować wyposażenie ochronne. Zawsze używać ochrony oczu. Wyposażenie takie jak maska p.pyłowa, buty na podszwie antypoślizgowej, kask, ochronniki słuchu, redukuje zagrożenie uszkodzenia ciała.
- c) Unikać przypadkowego włączenia urządzenia. Upewnić się, że włącznik znaj-



duje się w położeniu; „wyłączony” przed podłączeniem urządzenia do źródła zasilania. Przenoszenie urządzenia trzymając za włącznik lub podłączając je do zasilania z włącznikiem w pozycji: „włączone” może być przyczyną wypadków.

- d) Przed włączeniem urządzenia upewnić się, że nie jest dołączony żaden osprzęt regulujący (np. klucz). Pozostawienie klucza w rotującej części urządzenia może spowodować obrażenia.
- e) Nie przeceniać własnych możliwości. Zawsze dbać o odpowiednie oparcie dla nóg oraz balans. Zapewni to lepszą kontrolę w nieoczekiwanych sytuacjach.
- f) Stosować odpowiednio ubranie. Nie nosić luźnych ubrań ani biżuterii. Nie zbliżać włosów, ubrania ani rękawic roboczych do ruchomych części urządzenia. Luźne ubranie, biżuteria lub długie włosy mogą utknąć w ruchomych częściach urządzenia.
- g) Jeśli urządzenie jest wyposażone w adapter odprowadzania pyłów, należy sprawdzić czy jest odpowiednio podłączony i używany. Stosowanie systemu odprowadzania pyłów może obniżyć niebezpieczeństwa związane z pyleniem.

4. UŻYWANIE I KONSERWACJA URZĄDZENIA

- a) Nie przeciążać urządzenia. Stosować odpowiednie urządzenie do każdej pracy. Należy używać urządzenie wykona pracę lepiej i bezpieczniej w trybie do jakiego zostało zaprojektowane
- b) Nie używać urządzenia jeśli włącznik nie działa. Każde urządzenie z uszkodzonym włącznikiem jest niebezpieczne i musi zostać naprawione.
- c) Zawsze należy odłączyć urządzenie od zasilania i/lub wyjąć baterię przed zmianą ustawień, wymianą akcesoriów lub odłożeniem po pracy. Takie działanie zmniejszy ryzyko przypadkowego włączenia urządzenia.
- d) Nieużywane urządzenie należy chronić przed dziećmi oraz niepowołanymi osobami nie znającymi tego urządzenia lub niniejszej instrukcji. Elektronarzędzia są niebezpieczne w rękach nie przeszkolonych osób.
- e) Konserwować elektronarzędzia. Sprawdzić połączenia części ruchomych, ewentualne uszkodzenia oraz inne czynniki mogące mieć wpływ na działanie

urządzenia. W przypadku stwierdzenia uszkodzenia należy naprawić urządzenie przed dalszym użytkowaniem. Wiele wypadków spowodowanych jest nienależytą konserwacją urządzenia.

- f) Narzędzia tnące zawsze muszą być ostre. Odpowiednio konserwowane narzędzia tnące z ostrymi krawędziami rzadziej się zacinają w obrabianym materiale i są łatwiejsze w obsłudze.
- g) Niniejsze urządzenie oraz osprzęt do niego muszą być używane zgodnie z niniejszą instrukcją obsługi oraz w zakresie przewidzianym dla danego typu urządzenia. Zawsze należy brać pod uwagę rodzaj pracy do wykonania oraz warunki panujące w miejscu pracy. Użycie elektronarzędzi do celów innych niż opisane w niniejszej instrukcji obsługi może spowodować niebezpieczne sytuacje.

5. SERWIS

- a) Niniejsze urządzenie należy serwisować wyłącznie w autoryzowanych serwisach SPARKY z wykorzystaniem oryginalnych części zamiennych. Takie postępowanie zapewni należyte bezpieczeństwo.

IV - Dodatkowe zasady bezpieczeństwa dla wiertarko-wkrętarek

- Należy zwrócić uwagę, że urządzenie z zainstalowaną i naładowaną baterią jest gotowe do pracy, ponieważ pracuje niezależnie od sieci elektrycznej. Podczas instalowania lub wyjmowania baterii wyłącznik powinien znajdować się zawsze w pozycji Wyłączone.
- Jeżeli jest to możliwe obrabiany materiał powinien być przymocowany na stałe.
- Bezpośrednio po zakończeniu pracy nie należy dotykać końcówek roboczych, są bardzo gorące.
- Podczas pracy z urządzeniem należy stosować wyposażenie ochronne, okulary i słuchawki. Podczas prac, przy których wydobywa się kurz należy zakładać maskę ochronną.
- Pył, który wydobywa się podczas obrabiania materiałów zawiera kwarc (dwutlenek krzemu), który jest szkodliwy dla zdrowia. Nie można pracować z materiałami zawierającymi azbest.
- Elektronarzędzia mogą być stosowane tylko do przeznaczonych celów. Każde inne zastosowanie, które nie jest opisane w instrukcji obsługi jest niedozwolone. Użytkownik, a nie

producent ponosi odpowiedzialność za szkody powstałe w wyniku nieodpowiedniego używania urządzenia.

- W celu poprawnej pracy z elektronarzędziami należy dokładnie przeczytać i przestrzegać wskazówek zawartych w instrukcji obsługi. Każdy użytkownik powinien znać instrukcję obsługi i ewentualne ryzyka wynikające z pracy z urządzeniem. Osoby słabsze fizycznie i dzieci nie mogą pracować urządzeniem. Jeżeli dzieci znajdują się w pobliżu pracującego urządzenia należy zwrócić na nie szczególną uwagę. Przede wszystkim należy przestrzegać miejscowych przepisów bhp. To samo odnosi się do ogólnych przepisów bezpieczeństwa i higieny pracy.
- Producent nie ponosi odpowiedzialności za zmiany urządzenia dokonane przez użytkownika lub szkody powstałe w wyniku tych zmian.

Nawet jeżeli urządzenie będzie używane do przeznaczonych celów, nie jest możliwe wyeliminować wszystkich czynników ryzyka. Wymienione poniżej zagrożenia mogą wystąpić w związku z cechami szczególnymi konstrukcji i modelem urządzenia:

- Choroby płuc, jeżeli praca wykonywana jest bez maski.
- Uszkodzenia słuchu, jeżeli praca wykonywana jest bez słuchawek.

V - Dodatkowe wskazówki do pracy z ładowarką

- Przed zastosowaniem ładowarki należy przeczytać wszystkie wskazówki i ostrzeżenia, które znajdują się na ładowarce i zestawie baterii, jak również zasady używania baterii.
- Baterie należy ładować tylko w pomieszczeniach zamkniętych i dobrze przewietrzonych.



UWAGA: Uszkodzonych baterii nie należy wkładać do ładowarki. Grozi porażenie prądem.



UWAGA: Należy chronić ładowarkę przed wodą. Grozi porażenie prądem.

- Ładowarka jest przeznaczona do baterii SPARKY, zawartej w dostawie. Używanie innych baterii może spowodować pożar lub porażenie prądem.
- Ładowarka i bateria zawarta w dostawie są do siebie dopasowane. Nie należy ładować baterii

w innej ładowarce.

- Nie należy kłaść na ładowarce żadnych przedmiotów, ponieważ może to prowadzić do przegrzania. Ładowarka nie powinna być przechowywana w pobliżu źródeł ciepła.
- W przypadku odłączania ładowarki od sieci nie wyciągać przewodu z ładowarki.
- Przewód do ładowarki powinien być ułożony tak aby nie mógł być zgnieciony i, żeby nikt nie mógł się o niego potknąć, może to prowadzić do uszkodzeń.
- Jeżeli nie jest to konieczne nie stosować przedłużaczy. Użycie nieodpowiedniego przedłużacza może spowodować pożar lub prowadzić do porażenia prądem.
- Nie używać ładowarki po upadku, uderzeniu lub innym uszkodzeniu.
- Nie używać ładowarki, jeżeli uszkodzony jest przewód lub gniazdo – należy je niezwłocznie wymienić. Ładowarkę należy naprawiać i konserwować tylko w autoryzowanym serwisie.
- W przypadku uszkodzonego kabla wymianę zlecać producentowi lub w autoryzowanym serwisie.
- Nie demontować ładowarki. Naprawy zlecać tylko w autoryzowanym serwisie. Niepoprawny montaż może doprowadzić do wypadku lub porażenia prądem.
- Przed czyszczeniem należy odłączyć ładowarkę od sieci, w celu uniknięcia porażenia prądem. Wyjęcie tylko baterii nie zmniejsza ryzyka.
- Nie należy łączyć ze sobą dwóch ładowarek.
- Nie należy przechowywać ładowarki i baterii w pomieszczeniach, w których temperatura przekracza +40°C, np.: poddasze, samochody mieszkalne lub konstrukcje metalowe latem.
- Ładowarka jest przeznaczona do standardowego prądu sieciowego (230-240V). Nie należy podłączać ładowarki do sieci z innym napięciem.
- Przed ładowaniem kolejnej baterii należy odłączyć ładowarkę od sieci, odczekać 15 minut aż się ostudzi. Wtedy można ładować następną baterię.
- W niektórych warunkach ciało obce, które dostanie się do ładowarki może doprowadzić do spięcia. Materiały jak np.: węgla stalowa, folia aluminiowa lub inne materiały metaliczne nie mogą znajdować się w pobliżu ładowarki. Jeżeli baterie nie są ładowane należy odłączyć ładowarkę od sieci.
- Nie należy zamrażać ładowarki ani zanurzać jej w wodzie i innych cieczach.

VI - Dodatkowe wskazówki do pracy z bateriami

- Bateria dostarczona z urządzeniem nie jest naładowana. Przed rozpoczęciem pracy należy baterię naładować.



UWAGA: Nie należy wkładać do ładowarki baterii, która ma rysy lub jest uszkodzona w inny sposób. Grozi porażenie prądem.

- Maksymalna wydajność i trwałość baterii mogą zostać osiągnięte, jeżeli temperatura otoczenia ładowanej baterii wynosi 18-24°C. Nie można ładować baterii w temperaturze otoczenia poniżej +4°C lub powyżej +40°C. Jest to bardzo istotny aspekt i jest on warunkiem uniknięcia poważnych uszkodzeń baterii.
- Podczas ładowania bateria i ładowarka mogą być ciepłe. Jest to normalne i nie jest oznaką uszkodzenia.
- W celu uniknięcia przegrzania nie należy ładować baterii bezpośrednio pod wpływem promieni słonecznych ani w pobliżu innych źródeł ciepła.
- Nie należy ładować baterii w kabinach ani kontenerach. Podczas ładowania bateria powinna znajdować się w dobrze przewietrzonym pomieszczeniu.
- Jeżeli bateria jest uszkodzona może dojść do wycieku elektrolitu, w konsekwencji czego zostaną uszkodzone pozostałe elementy. Należy sprawdzić elementy znajdujące się w pobliżu, wyczyścić je i wymienić jeżeli jest to konieczne.
- Jeżeli bateria nie jest ładowana :
 - (1) przy pomocy lampy i kontroli napięcia należy sprawdzić czy jest napięcie w gniazdku
 - (2) należy zmienić miejsce ładowarki i przestać ją tak aby temperatura otoczenia wynosiła 18-24°C
 - (3) Jeżeli mimo to występują problemy w ładowaniu baterii, ładowarkę i osprzęt razem z baterią należy oddać do serwisu
- Bateria wymaga naładowania, jeżeli moc podczas pracy nie jest wystarczająca. W takim przypadku należy **PRZERWAĆ PRACĘ**. Bateria powinna zostać naładowana. Baterie Li- ion mogą być ładowane dowolnym czasie bez skrócenia żywotności. Przerwanie procedury ładowania nie szkodzi baterii.
- Nie wolno palić baterii. Baterie mogą powodować eksplozje.

- Nie należy używać baterii (podczas upałów) na poddaszu, w kontenerze, samochodzie mieszkalnym lub innych pomieszczeniach bez izolacji.



UWAGA: Nie należy nigdy otwierać baterii. W przypadku uszkodzeń lub rys, należy zdać baterię w przeznaczonym do tego punkcie.

PRZED ŁADOWANIEM BATERII DO ELEKTRONARZĘDZI, NALEŻY PRZECZYTAĆ WSZYSTKIE INFORMACJE W PUNKCIE O ŁADOWARCE.

- Należy używać tylko odpowiednich baterii SPARKY (bateria dostarczona z urządzeniem lub bateria oryginalna). Nigdy nie instalować innych baterii. Może to uszkodzić urządzenie i doprowadzić do zagrożenia. Do ładowania używać tylko ładowarek SPARKY.
- Nie należy wyrzucać baterii razem z odpadami z gospodarstwa domowego. Zużyte baterie należy zbierać osobno i przekazać do recyklingu zgodnie z przepisami dotyczącymi ochrony środowiska.

INSTALACJA I WYJMOWANIE BATERII

W celu wyjęcia baterii należy nacisnąć przyciski zwalniające baterię (4) i wyjąć ją z urządzenia.



UWAGA: Przed konserwacją urządzenia, lub montażem i ładowaniem baterii, wymianą końcówek, transportem i przechowywaniem przełącznik zmiany kierunku obrotów (3) należy ustawić na pozycji środkowej.

Montaż baterii: Baterię należy włożyć do otworu w dolnej części urządzenia aż będzie słyszalne kliknięcie

ŁADOWANIE BATERII

- Należy włożyć wtyczkę ładowarki do kontaktu. Zielona dioda LED wskaźnika ładowania (10) zacznie świecić, wskazując, że ładowarka znajduje się w stanie gotowości.
- Wsunąć baterię (5) do otworu ładowarki (9) zwracając uwagę na polaryzację. (Rys. 1)
- Każda nowa bateria osiąga swoją maksymalną wydajność po 5 cyklach ładowania – rozładowania. Jeśli bateria nie była używana przez dłuższy czas, dobrze jest ją naładować przed użyciem.
- Jeżeli bateria działa krótko mimo pełnego naładowania.

dowania, oznacza to, że skończył się okres jej trwałości. W tym wypadku należy niezwłocznie wymienić baterię.



UWAGA: Bateria jest w pełni naładowana po ok. 30 min, po tym czasie wyjąć z ładowarki.

Wskaźnik ładowania:

- Zielone światło zaczyna migać po podłączeniu do zasilania.
- Zielone światło gaśnie i włącza się czerwone w momencie włożenia baterii do ładowarki, wskazując na rozpoczęcie procesu ładowania.

Podczas ładowania, bateria oraz ładowarka mogą się nagrzać. Jest to normalne zjawisko i nie stanowi problemu.

- Po zakończeniu ładowania, które trwa ok. 30 min, czerwone światło gaśnie i zapala się zielone.

Ładowarka jest wyposażona w zabezpieczenie termiczne. Niemniej jednak zaleca się wyjmowanie baterii z ładowarki po zakończeniu ładowania. Do określenia czasu ładowania można zastosować dodatkowo zegar.

ABY ZAPEWNIĆ NAJLEPSZĄ ŻYWOTNOŚĆ BATERII

- Nie używana bateria nie powinna znajdować się w pobliżu spinek, monet, igieł, śrubek i innych małych metalowych przedmiotów. Kontakt końcówek baterii z metalem może prowadzić do spięcia, pożaru lub eksplozji.
- Nie używana ładowarka powinna być odłączona od sieci i przechowywana w suchym i bezpiecznym miejscu.
- Nie należy ładować baterii ani przechowywać ładowarki w pomieszczeniach, w których temperatura może spaść poniżej 0°C lub wzrosnąć powyżej +40°C.

VII - Opis urządzenia

Przed rozpoczęciem pracy z urządzeniem należy dokładnie przeczytać wszystkie informacje o specyfice pracy i warunkach bezpieczeństwa.

Urządzenie i osprzęt powinny być stosowane tylko do celów wymienionych w instrukcji obsługi. Każde inne zastosowanie jest niedozwolone.

1. Uchwyt samozaciskowy
2. Przełącznik wyboru prędkości
3. Przełącznik kierunku obrotów
4. Przyciski zwalniające baterię

5. Bateria
6. Włącznik
7. Diodowe oświetlenie
8. Kołnierż regulacji momentu obrotowego
9. Ładowarka
10. Diodowy wskaźnik ładowania

VIII - Użytkowanie

OŚWIETLENIE MIEJSCA PRACY

Urządzenie jest wyposażone w diodę (7) przeznaczoną do podświetlenia miejsca pracy w celu polepszenia widoczności w miejscach niedoświetlonych. Aby włączyć diodę należy nacisnąć włącznik (6).

WYBÓR KIERUNKU OBROTÓW

Położenie dźwigni całkowicie w prawo (3) (patrząc od tyłu) oznacza obrót odwrotny do kierunku wskazówek zegara, położenie dźwigni całkiem w lewo zgodnie ze wskazówkami zegara. Kiedy włącznik (6) jest włączony dźwignia (3) nie działa. (Rys. 2)



UWAGA: Zmiana kierunku obrotów może być dokonywana tylko podczas gdy wrzeczono jest w stanie spoczynku.

W celu nawiercania otworów i wkręcania śrub przełącznik należy przesunąć w lewo. W celu wykręcenia śrub przełącznik należy przesunąć w prawo.

WŁĄCZANIE I WYŁĄCZANIE

Włączenie: Wcisnąć włącznik (6).

Wyłączenie: Puścić włącznik (6).

Urządzenie jest wyposażone w hamulec silnika. Wrzeczono zatrzymuje się natychmiast po puszczeniu włącznika.

BEZSTOPNIOWA ELEKTRONICZNA REGULACJA OBROTÓW




Wciśnięty lekko włącznik (6) spowoduje rozpoczęcie pracy na niskich obrotach, które można podwyższać bezstopniowo do maksimum wciśkając mocniej włącznik.

REGULACJA MOMENTU OBROTOWEGO

Przestawić kołnierż regulacji momentu obrotowego (8) znajdujący się za uchwytem wiertarskim, aby wybrać jedno z 19 ustawień.

21 ustawień regulatora momentu obrotowego ułatwia kontrolę urządzenia, podczas gdy jest

stosowane jako wkrętarka. W ten sposób można uniknąć zbyt mocnego wkręcania śrub. Moment obrotowy jest zaznaczony jedną z cyfr, które znajdują się wokół pierścienia. Im większa jest liczba zaznaczona na pierścieniu, tym wyższy jest moment obrotowy. W celu wybrania odpowiedniego momentu obrotowego należy przekręcić pierścień (8) i zgrać odpowiednią cyfrę ze strzałką na obudowie urządzenia.

 	<p>Wkręcanie Kołnierz regulacji momentu obrotowego (8) ustawić w jednej z 19 pozycji. Wybrać niższe ustawienie do wkręcania małych wkrętów w miękkich materiałach. Wybrać niższe ustawienie do wkręcania dużych wkrętów w twardych materiałach.</p>
	<p>Wiercenie Kołnierz regulacji momentu obrotowego (8) ustawić na symbolu "wiercenie". Urządzenie jest wyposażone w hamulec elektryczny. Wrzeciono zatrzymuje się natychmiast po zwolnieniu włącznika. Przy przeciążeniu w trybie wiercenia, należy natychmiast zwolnić przycisk aby zapobiec długotrwałemu przeciążeniu i przegrzaniu silnika.</p>

PRZEŁĄCZNIK WYBORU PRĘDKOŚCI

(Rys. 3)

Przełącznik wyboru prędkości (2) umożliwia dobór właściwego przełożenia z optymalną prędkością i momentem obrotowym do zadania.



UWAGA: Przed zmianą przełożenia, upewnić się czy urządzenie jest wyłączone.

1. W celu wybrania niższego biegu (mniejsza prędkość, wysoki moment obrotowy) należy przesunąć przełącznik biegów (2) do tyłu. Cyfra 1 znajdująca się na przełączniku oznacza wybraną prędkość.
2. W celu wybrania wyższego biegu (duża prędkość, niski moment obrotowy) należy przesunąć przełącznik biegów (2) do przodu. Cyfra 2 znajdująca się na przełączniku oznacza wybraną prędkość.

MONTAŻ I DEMONTAŻ NARZĘDZI

ROBOCZYCH (Rys. 4)



UWAGA: Należy wyjąć baterię lub ustawić przełącznik zmiany kierunku obrotów (3) w pozycji środkowej (A) neutralnej.

Urządzenie jest wyposażone w automatyczną blokadę wrzeciona, oznacza to, że wrzeciono zostanie zablokowane przy próbie ręcznego przekręcenia uchwytu wiertarskiego. Dzięki temu wystarczy obracać trzymany uchwyt w celu zamontowania lub demontażu osprzętu.

- Trzymać urządzenie jedną ręką a obracać uchwyt drugą ręką.
- Aby otworzyć uchwyt należy obracać w kierunku odwrotnym do ruchu wskazówek zegara. (B)
- Aby zamknąć uchwyt należy obracać w kierunku zgodnym z ruchem wskazówek. (D)
- Zamontować osprzęt. (C)
- Zamknąć uchwyt.
- Sprawdzić czy osprzęt jest umieszczony centralnie w uchwycie, włączając urządzenie na chwilę bez obciążenia.

WYMIANA UCHWYTU WIERTARSKIEGO



UWAGA: Wymiana uchwytu może być wykonana wyłącznie w autoryzowanym serwisie. Prosimy o nie podejmowanie prób wymiany uchwytu ponieważ może to uszkodzić urządzenie.

WIERCENIE

Wiercenie w metalu

- W celu osiągnięcia najlepszych wyników pracy należy stosować wiertła do metali ze stali szybkoobrotowej.
- Ustawić kołnierz regulacji momentu obrotowego (8) w pozycji "wiertło".
- Rozpocząć wiercenie powoli, żeby wiertło się nie ześlizgiwało.
- Obrabiany przedmiot dobrze unieruchomić.
- Cienkie blachy zabezpieczyć blokiem drewnianym aby zapobiec zniekształceniom.
- Oстрыm przedmiotem zaznaczyć środek odwiertu.
- Stosować smar przeznaczony do obrabianego materiału.

Materiał	Smar
Stal	Towot
Aluminium	Terpentyna lub parafina
Mosiądz, miedź, żeliwo	Smar niepotrzebny

Wiercenie w tworzywach sztucznych i pokrytych tworzywem płytach wiórowych

- Stosować wiertła ze stali szybkoobrotowej.
- Przeczytać poniższy ustęp o wierceniu w drewnie.

Wiercenie w drewnie

- W celu osiągnięcia najlepszego wyniku należy stosować wiertła do drewna z szybkoobrotową stalą.
- Ustawić kołnierzyk regulacji momentu obrotowego (8) w pozycji "wiertło".
- Wiercenie należy rozpocząć powoli, żeby wiertło się nie ześlizgnęło. Podwyższyć prędkość w momencie wejścia wiertła w materiał.
- Podczas wiercenia otworu przejłotowego należy pod materiał obrabiany podstawić kawałek drewna, żeby uniknąć rozerwania tylnej części otworu.

Wszystkie prace wiertnicze

- Używać tylko ostrych wiertel.
- Ostрым przedmiotem zaznaczyć środek odwiertu.

WKREĆCIE / WYKREĆCIE

Wybrać odpowiedni moment obrotowy, ustawiając jedną z cyfr znajdujących się na kołnierzyku regulacji momentu obrotowego (8), naprzeciw strzałki na obudowie urządzenia. Zamontować odpowiednią końcówkę



UWAGA: Zbyt mocne przykręcenie może złamać śrubę lub uszkodzić nasadkę.



UWAGA: Jeżeli podczas wkręcania śruby urządzenie trzymane jest pod kątem w stosunku do wkrętu, główka wkrętu może zostać zniszczona lub moment obrotowy nie zostanie w pełni przeniesiony na śrubę. Urządzenie i wkręcaną śrubę należy trzymać zawsze w jednej linii.

IX - Konserwacja



UWAGA: Przed rozpoczęciem zmian w urządzeniu, jak: montaż i ładowanie baterii, wymiana narzędzi, transport, konserwacja i przechowywanie przełącznik zmiany kierunku obrotów (6) musi być ustawiony zawsze w pozycji środkowej.

Należy regularnie sprawdzać, czy śruby obudowy są dobrze przykręcone.

Przy częstym używaniu śruby mogą się obluźzić pod wpływem wibracji.

CZYSZCZENIE

Urządzenie i otwory wentylacyjne powinny być zawsze czyste.

Należy regularnie sprawdzać czy w kratce wentylacyjnej znajdującej się w pobliżu silnika nie ma kurzu ani ciał obcych. Do odkurzania używać miękkiej szczotki. Do czyszczenia należy zakładać okulary ochronne. Urządzenie czyścić wilgotną ścierką z zastosowaniem delikatnego płynu.



UWAGA: Nie należy stosować alkoholu, benzyny ani innych rozpuszczalników. Do czyszczenia tworzyw sztucznych nie należy używać agresywnych środków czyszczących.



UWAGA: Chronić urządzenie przed wodą.

Wskazówki czyszczenia ładowarki:



UWAGA: Przed czyszczeniem odłączyć ładowarkę od sieci.

- Zabrudzone miejsca na zewnątrz ładowarki czyścić ścierką lub miękkim druciakiem. Bez wody lub rozpuszczalników.

UWAGA! W celu zapewnienia bezpiecznej pracy i trwałości urządzenia wszystkie naprawy i prace konserwacyjne należy zlecać w autoryzowanym serwisie SPARKY. Należy używać tylko oryginalnych części zamiennych.

X – Ochrona środowiska

Urządzenie, akcesoria oraz opakowanie powinny zostać odpowiednio posortowane przez recyklingiem.

Dotyczy krajów UE:

Nie wyrzucać urządzeń elektrycznych razem z domowymi śmieciami! Zgodnie z zaleceniami normy 2002/96/WE, elektronarzędzia, które nie nadają się do użytku, powinny zostać poddane recyklingowi.

Baterie:



Nie wyrzucać urządzeń elektrycznych ani baterii razem z domowymi śmieciami, ani nie wrzucać do ognia lub wody. Wszystkie typy baterii muszą zostać poddane recyklingowi.

Dotyczy krajów UE:

Uszkodzone lub zużyte baterie muszą być przetworzone zgodnie z zaleceniami 91/157/EWG.

XI - Gwarancja

Okres gwarancyjny na elektronarzędzia SPARKY jest podany na gwarancji.

Uszkodzenia powstałe w wyniku zużycia, przeciążenia lub niepoprawnego używania nie podlegają gwarancji.

Uszkodzenia powstałe w wyniku błędu producenta lub materiału będą naprawiane bezpłatnie, jak również nastąpi bezpłatna dostawa części.

Roszczenia gwarancyjne w odniesieniu do uszkodzonego elektronarzędzia SPARKY będą uznawane tylko wtedy, gdy urządzenie zostanie dostarczone do sprzedawcy lub autoryzowanego serwisu w sta

Uwagi

Przed podłączeniem urządzenia należy dokładnie przeczytać instrukcję obsługi.

Producent zastrzega sobie prawo dokonywania zmian, ulepszeń swoich produktów i specyfikacji bez informowania.

Specyfikacje mogą się różnić w zależności od kraju.

Содержание

I - Введение	70
II - Технические данные	72
III - Общие указания по безопасности при работе электроинструментов	73
IV - Дополнительные правила по безопасности при работе аккумуляторных дрелей/шурупвертов	75
V - дополнительные правила работы подзарядного устройства	75
VI - Дополнительные правила работы батарей	76
VII - Знакомство с электроинструментом	A/78
VIII - Указания по работе	78
IX - Обслуживание	80
X - Утилизация	81
X - Гарантия	82

РАСПАКОВКА

Электроинструмент поставляется комплектно в исправном виде. В случае обнаружения несоответствий не рекомендуем использовать инструмент до тех пор, пока обнаруженный дефект не будет устранен. Невыполнение этой рекомендации может стать причиной травмы.

СБОРКА

Аккумуляторный шурупверт/дрель поставляется в полностью собранном и упакованном виде.

I - Введение

Приобретенный Вами электроинструмент SPARKY способен превзойти Ваши ожидания. Он изготовлен в соответствии с высокими стандартами качества SPARKY, отвечающими самым строгим требованиям потребителя. Простой в обслуживании и удобный в эксплуатации, он надежно прослужит Вам долгое время.



ПРЕДОСТЕРЕЖЕНИЕ!

Прочтите внимательно и целиком инструкцию по эксплуатации перед использованием новоприобретенного электроинструмента SPARKY. Обратите специальное внимание на параграфы, обозначенным словом **“Предостережение”**. У Вашего электроинструмента SPARKY много качеств, которые облегчают работу. При разработке этого инструмента основное внимание было направлено на безопасность, эксплуатационные качества и надежность, которые облегчают его обслуживание и эксплуатацию.



Не выбрасывайте электроинструменты вместе с бытовыми отходами!

Отработанные электрические изделия не должны выбрасываться совместно с бытовыми отходами. Просьба оставлять их в специально предназначенных для этого местах. Проконсультируйтесь по этому поводу с местными властями или их представителем.

ОХРАНА ОКРУЖАЮЩЕЙ СРЕДЫ



С учетом охраны окружающей среды электроинструмент, принадлежности и упаковка должны подвергнуться подходящей переработке для повторного использования содержащегося в них сырья. Для облегчения рециклирования деталей, произведенных из искусственных материалов, они обозначены соответствующим образом.

ОПИСАНИЕ СИМВОЛОВ

На табличке с данными электродрели нанесены специальные символы. Они представляют собой важную информацию об использовании инструмента и его характеристиках.



Двойная изоляция для дополнительной защиты



Использовать только в помещении



Не подвергать воздействию дождя или воды



Не поджигать



Всегда заряжайте аккумулятор при температурах от 0°C до 40°C



Соответствие с европейскими стандартами безопасности



Соответствует требованиям российских нормативных документов



Соответствует требованиям украинских нормативных документов



Ознакомьтесь с инструкцией по пользованию

YYWww

Период производства, где переменные символы означают:
YY - последние две цифры года производства,
ww – очередная календарная неделя

II - Технические данные

Модель	BR2 7.2Li HD	
▪ Электродвигатель:	V	7.2
▪ Скорость на холостом ходу (I скорость/II скорость)	min ⁻¹	0-190/0-600
▪ Макс.момент вращения	Nm	13
▪ Регулировка момента вращения (количество положений регулятора)		19+1
▪ Объем патронника	mm	0.6-6
▪ Максимальный диаметр сверла для стали / дерева	mm	4 / 6
▪ Максимальный диаметр шурупа для дерева	mm	6
▪ Электронная регулировка скорости вращения, левый - правый ход		да
▪ Электрический тормоз		да
▪ Блокирующийся шпиндель		да
▪ Светодиодное освещение рабочей зоны		да
▪ Светодиодная индикация для подзарядки		да
▪ Двухскоростная передача		да
▪ Вес (с батареей) (ЕРТА процедура 01/2003)	kg	0.7
ИНФОРМАЦИЯ О ШУМЕ И ВИБРАЦИЯХ (Показатели замерены согласно EN 60745.)		
▪ Уровень шума:		
A- взвешенный уровень звуковой нагрузки L _{РА}	dB(A)	60
Неопределенность K _{РА}	dB	3
A-взвешенный уровень звуковой мощности L _{WA}	dB(A)	71
Неопределенность K _{WA}	dB	3
⚠ Пользуйтесь средствами защиты от шума!		
▪ Уровень вибраций *		
<i>Общий уровень вибраций (векторная сумма по трем осям), определенная согласно EN 60745:</i>		
Уровень вибраций a _{n,D}	m/s ²	0.7
Неопределенность K _{n,D}	m/s ²	0.15
<i>* Вибрации замерены согласно п. 6.2.7 EN 60745-1.</i>		
БАТАРЕЯ (Li-ion):		
▪ Напряжение	V	7.2
▪ Мощность	Ah	1.3
УСТРОЙСТВО ДЛЯ ПОДЗАРЯДКИ:		
▪ На входе:		
Напряжение / частота	V~Hz	230~50
Потребляемая мощность	W	32
▪ Исходящее напряжение / ток	V/A	8 / 3
▪ Время для подзарядки	min	30

Указанный в настоящую инструкцию уровень вибраций измерен в соответствии с установленную EN 60745 методику испытаний и может использоваться для сравнения электроинструментов. Уровень вибраций может использоваться для предварительной оценки воздействия.

Указанный уровень вибраций дан при условии использования инструмента по его прямому назначению. В тех случаях, когда электроинструмент используется для других целей, с другими принадлежностями, уровень вибраций может отличаться от указанного. В этих случаях уровень воздействия может значительно возрасти в рамках общего периода работы.

Для точной оценки воздействия вибраций во время определенного периода работы необходимо учитывать промежутки времени, в которые электроинструмент выключен, либо хотя и включен, но фактически не используется. Это может существенно сократить воздействия вибраций в течение всего периода работы.

Сохраняйте электроинструмент и его принадлежности в хорошем состоянии. Во время работы старайтесь сохранять руки теплыми - это поможет уменьшить вредное воздействие при работе с повышенной вибрацией.

Пыль материалов, как с краски с содержанием свинца, некоторых сортов древесины, минералов и металла может быть вредной для здоровья. Прикосновение к пыли и попадание пыли в дыхательные пути может вызвать аллергические реакции и/или заболевания дыхательных путей оператора или находящегося вблизи персонала.

Определенные виды пыли, как из дуба и бука, считаются канцерогенными, особенно, совместно с присадками для обработки древесины (хромат, средство для защиты древесины). Материал с содержанием асбеста разрешается обрабатывать только специалистам.

- По возможности применяйте отсос пыли.
- Для достижения максимально высокой эффективности собирания пыли при работе с данным электроинструментом, используйте пылесос, предназначенный для сбора пыли из древесины или для пыли из древесины и/или минеральной пыли.
- Следите за хорошей вентиляцией.
- Рекомендуется пользоваться дыхательной защитной маской с фильтром класса P2.

Соблюдайте действующие в Вашей стране предписания для обрабатываемых материалов.

III - Общие указания по безопасности при работе с электроинструментами



ПРЕДОСТЕРЕЖЕНИЕ! Прочитайте все предупреждения и указания по безопасности. Несоблюдение предупреждений и указаний по безопасности может привести к поражению электрическим током, от пожара и/или серьезные ранения.

Сохраните все предупреждения и указания для дальнейшего использования.

Термин "электроинструмент" во всех указанных ниже предупреждениях касается вашего электроинструмента, с питанием от сети (с кабелем) и/или электроинструмент с питанием от аккумуляторной батареи (без кабеля).

1. БЕЗОПАСНОСТЬ РАБОЧЕГО МЕСТА

- a) Содержите рабочее место в чистоте и хорошо освещенным. Беспорядок и недостаточное освещение являются предпосылками трудовых инцидентов.
- b) Не работайте с электроинструментами во взрывоопасной атмосфере при наличии воспламеняющихся жидкостей, газов или пыли. Электроинструменты создают искры, которые могут воспалить пыль или пары.
- c) Держите детей и посторонних лиц на расстоянии, когда работаете с электроинструментом. Рассеивание может

привести к потере контроля с Вашей стороны.

2. ЭЛЕКТРИЧЕСКАЯ БЕЗОПАСНОСТЬ

- a) Штепселя электроинструментов должны соответствовать контактным гнездам. Никогда не меняйте штепсель каким-либо способом. Не используйте какие-либо адаптерные штепселя для электроинструментов с защитным заземлением. Использование оригинальных штепселей и соответствующим им контактов уменьшает риск от удара электрическим током.
- b) Избегайте соприкосновения тела с землей или с заземленными поверхностями, такими как трубы, радиаторы, кухонные плиты и холодильники. Если ваше тело заземлено, существует повышенный риск поражения электрическим током.
- c) Не оставляйте электроинструменты под дождем или во влажной среде. Проникновение воды в электроинструменты повышает риск от поражения электрическим током.
- d) Используйте кабель по назначению. Никогда не используйте кабель для переноса электроинструмента, натягивания или отключения штепселя из контактного гнезда. Держите кабель далеко от тепла, масла, острых углов или движущихся частей. Поврежденные или запутанные кабели повышают риск от поражений электрическим током.
- e) Во время наружной работы с электроинструментом используйте удлинитель, подходящий для этих целей.

Использование удлинителя, предназначенного для внешних /наружных/ работ, уменьшает опасность от поражения электрическим током.

- f) В случае, если работа с электроинструментом во влажной среде неизбежна, используйте предохранительное устройство, которое задействовано от остаточного тока для прерывания подачи тока. Использование предохранительного устройства уменьшает риск от поражения электрическим током.

3. ЛИЧНАЯ БЕЗОПАСНОСТЬ

- a) Будьте бдительны, работайте с повышенным вниманием и проявляйте благоразумие, когда работаете с электроинструментом. Не используйте электроинструмент, когда вы устали или находитесь под влиянием наркотиков, алкоголя или медикаментов. Момент невнимания при работе с электроинструментом может привести к серьезной производственной травме.
- b) Используйте индивидуальные средства защиты. Носите всегда защитные очки. Индивидуальные средства защиты, такие как маска против пыли, нескользящая обувь, защитный шлем или средства для защиты слуха, используемые в конкретных условиях, снижают риск от производственных травм.
- c) Избегайте невольного пуска инструмента. Убедитесь, что выключатель находится в положение „выключено“ перед включением к источнику питания и/или аккумуляторной батарее перед тем, как его возьмете в руки или переносите. Ношение электроинструмента с пальцем на выключателе или подключение к источнику питания электроинструмента с выключателем во включенном положении является предпосылкой для производственной травмы.
- d) Удалите каждый ключ для затягивания или гаечный ключ перед включением электроинструмента. Ключ для затягивания или гаечный ключ, прикрепленный к вращающейся части электроинструмента, может привести к трудовому инциденту.
- e) Не перетягивайтесь. Поддерживайте правильное положение и равновесие в течение всей работы. Это позволит лучше управлять электроинструментом при неожиданных ситуациях.
- f) Носите подходящую рабочую одежду.

Не носите широкую одежду или украшения. Держите свои волосы, одежду и перчатки далеко от движущихся частей. Широкая одежда, бижутерия или длинные волосы могут попасть в движущиеся части.

- g) Если электроинструмент снабжен приспособлением для пыли, убедитесь, что они правильно установлены и правильно используются. Использование этих устройств может понизить связанные с пылью опасности.

4. ЭКСПЛУАТАЦИЯ И УХОД ЗА ЭЛЕКТРОИНСТРУМЕНТАМИ

- a) Не перегружайте электроинструмент. Используйте правильно выбранный электроинструмент согласно его назначению. Правильно подобранный электроинструмент работает лучше и безопасней для объявленного режима работы, для которого он спроектирован.
- b) Не используйте электроинструмент в случае, если выключатель не переключается во включенное и исключенное положение. Каждый электроинструмент, который не может управляться с помощью его выключателя, опасен и подлежит ремонту.
- c) Отключите штепсель от электросети перед тем, как начать любые настройки, перед заменой принадлежности или перед тем, как убрать электроинструмент для хранения. Эти меры предосторожности снижают риск невольного пуска электроинструмента.
- d) Сохраняйте неиспользованные электроинструменты в местах, недоступных для детей и не позволяйте обслуживающему персоналу, который не знаком с электроинструментом или инструкциями по эксплуатации, работать с ним. Электроинструменты являются опасными в руках необученных потребителей.
- e) Проверяйте электроинструменты. Проверяйте, работают ли нормально и движутся ли свободно движущиеся части, находятся ли в целостности и исправности части, а также проверяйте все прочие обстоятельства, которые могут неблагоприятно повлиять на работу электроинструмента. Если он поврежден, электроинструмент необходимо отремонтировать перед его дальнейшим использованием. Много инцидентов причиняются от плохо обслуживаемых электроинструментов.

- f) Поддерживайте режущие инструменты острыми и чистыми. *Правильно поддержанные режущие инструменты с острыми режущими углами режут блокируются и проще управляются.*
- g) Используйте электроинструмент, принадлежности и части инструмента и т.д. в соответствии с этими инструкциями и способом, предусмотренным для конкретного типа электроинструмента, имея в виду рабочие условия и работу, которую необходимо выполнять. *Использование электроинструмента для работы не по назначению может привести к опасной ситуации.*

5. ОБСЛУЖИВАНИЕ

- a) Ремонтируйте ваш электроинструмент у квалифицированного специалиста по ремонту, при этом используйте только оригинальные запасные части. *Это обеспечивает сохранение безопасности электроинструмента.*

IV - Дополнительные правила техники безопасности при использовании аккумуляторных дрелей

- Электроинструмент всегда находится в рабочем состоянии, без необходимости подключения в электрическую сеть. При монтаже или демонтаже батареи выключатель всегда необходимо устанавливать в позицию ВЫКЛЮЧЕН.
- Всегда, когда это возможно, используйте скобы или тиски для фиксации обрабатываемого материала.
- Не прикасайтесь к сверлу непосредственно после выключения дрели, т.к. оно очень горячее.
- Во время работы с дрелью пользуйтесь защитной одеждой, включительно защитными очками и антифонами. Используйте маску против пыли в случае, если при конкретных работах выделяется пыль.
- Пыль, выделяемая при обработке материалов, содержащих кварц (диоксид силиция), вредна для здоровья. Не обрабатывайте материалы, содержащие азбест.
- Электроинструмент необходимо использовать только по назначению. Любое

другой употребление, различное от описанного в этой инструкции, считается неправильным употреблением. Ответственность за любую поломку или ранение в результате неправильного употребления несет потребитель, а не производитель.

- Для правильной эксплуатации электроинструмента необходимо соблюдать правила техники безопасности, общие инструкции и указания по работе, указанные здесь. Все потребители должны ознакомиться с инструкцией по эксплуатации и проинформироваться о всех возможных рисках, связанных с работой электроинструмента. Детям и физически ослабленным лицам запрещено использовать этот электроинструмент. Дети, находящиеся вблизи места работ с использованием электроинструмента, должны находиться под постоянным наблюдением. В обязательном порядке необходимо предпринять превентивные меры безопасности. Это же условие касается соблюдения основных правил профессионального здоровья и безопасности.
- Изготовитель не несет ответственность за внесенные потребителем изменения в электроинструмент, или поломки, вызванные подобными изменениями.

Даже при условии, что электроинструмент используется исключительно по назначению, невозможно предупредить все факторы риска. Перечисленные далее риски возможны по причинам конструктивных особенностей и дизайна электроинструмента.

- Проблемы с легкими, если не используется эффективная маска от пыли.
- Проблемы со слухом при отсутствии эффективных мер предосторожности.

V - Дополнительные правила работы подзарядного устройства

- Перед тем, как приступить к использованию подзарядного устройства, ознакомьтесь со всеми инструкциями и предупреждениями, касающимися инструмента и комплекта батарей, а также инструкций по использованию батарей.
- Заряжайте батареи только в закрытых помещениях, т.к. устройство для подзарядки предназначено только для применения в закрытых помещениях.



ПРЕДУПРЕЖДЕНИЕ: Если батарея повреждена, не вставляйте ее в подзарядное устройство - существует опасность удара электрическим током.



ПРЕДУПРЕЖДЕНИЕ: Не допускайте попадания воды в подзарядное устройство. Существует опасность удара электрическим током.

- Устройство для подзарядки предназначено для работы единственно с батареей SPARKY, включенной в комплект поставки. Использование других батарей может нести риск возникновения пожара или удара электрическим током.
- Устройство для подзарядки и входящая в комплект поставки батарея изготовлены специально для совместного использования. Не заряжайте батарею с помощью другого устройства для подзарядки.
- Не располагайте на устройстве для подзарядки посторонние предметы, т.к. это может привести к перегреву. Не оставляйте устройство для подзарядки вблизи источников тепла.
- Не дергайте за шнур устройства для подзарядки, чтобы выключить его из сети.
- Убедитесь в том, что шнур устройства для подзарядки расположен так, чтобы на него невозможно было наступить, споткнуться, повредить или подвергнуть механическим перегрузкам.
- Не используйте удлинители, если это не крайне необходимо. Использование неподходящего удлинителя может создать опасность возникновения пожара или удара электрическим током.
- Не используйте устройство для подзарядки, если оно сильно ударено, упало или повреждено каким-либо путем. Не используйте подзарядное устройство в случае, если его шнур или штепсель повреждены – их необходимо немедленно заменить. Обратитесь за помощью в специализированную ремонтную мастерскую.
- Замену поврежденного кабеля должен осуществлять только производитель или специалист специализированной мастерской, во избежание рисков.
- Не разбирайте устройство для подзарядки. Для выполнения ремонтов обращайтесь в специализированную мастерскую. Неправильная повторная сборка может быть опасна по причине возгорания или удара электрическим током.

- Во избежание опасности удара электрическим током, перед тем как приступить к чистке, выключите устройство для подзарядки из электрической сети. Демонтаж батареи сам по себе не снижает эту опасность.
- Никогда не пытайтесь соединить последовательно два устройства для подзарядки.
- Не сохраняйте и не используйте это устройство и батарею в местах, в которых температура достигает или превышает +40°C, напр. под навесами, автомобилями или металлическими конструкциями в летний период.
- Это устройство предназначено для подключения в стандартную электрическую сеть напряжением 230–240В. Не подключайте устройство для подзарядки в электрическую сеть с другим напряжением.
- При необходимости зарядить другую батарею, выключите устройство для подзарядки из электрической сети, подождите пока устройство остынет в течение ок. 15 минут, после чего можете заряжать следующую батарею.
- В определенных условиях, если устройство для подзарядки включено в электрическую сеть, попавшие в открытые контакты чужеродные тела могут вызвать короткое соединение. Материалы - проводники, такие как стальная вата, фольга, или любой другой материал, содержащий металлические частички, необходимо хранить вдали от полостей устройства для подзарядки. Всегда, когда в устройство для подзарядки не вставлена батарея, его необходимо выключать из электрической сети.
- Не замораживайте и не погружайте устройство для подзарядки в воду или другую жидкость.

VI - Дополнительные правила работы батарей

- Батарея этого электроинструмента поставляется не до конца заряженной. Батарею необходимо полностью зарядить перед тем, как приступить к работе.



ПРЕДУПРЕЖДЕНИЕ: Если батарея треснула, или повреждена другим путем, не вставляйте ее в устройство для подзарядки. Существует опасность удара электрическим током.



- Максимальная длительность использования и эксплуатационные качества могут быть достигнуты в условиях, при которых батарея заряжается при температуре воздуха 18°C–24°C. Не заряжайте батарею при температуре воздуха ниже +4°C или выше +40°C. Это имеет большое значение, и является предпосылкой предотвращения серьезных повреждений батареи.
- Во время подзарядки, устройство и батарея могут нагреваться. Это нормально, и не является показателем наличия проблемы.
- Во избежание перегрева, не заряжайте батареи под прямым солнечным светом в жаркое время, или вблизи источников тепла.
- Не заряжайте в кабине или резервуаре. Во время подзарядки батареи должна находиться в хорошо проветриваемом помещении.
- Из дефектной батареи на соседние детали может попасть электролит. Проверьте соседние детали, очистите их, а в случае необходимости замените.
- Если батарея не заряжается нормально:
 - (1) Проверьте наличие напряжения в розетке с помощью лампы или фазомера.
 - (2) Установите устройство для подзарядки с батареей в место, где температура воздуха составляет приблизительно 18°C–24°C.
 - (3) Если несмотря на это возникает проблема при подзарядке, отнесите или отправьте электроинструмент с батареей и устройством для подзарядки в местную сервисную мастерскую.
- Батарею необходимо зарядить при снижении мощности выполнения операций, которые ранее выполнялись с легкостью. В этом случае ПРЕКРАТИТЕ РАБОТУ. Начните процедуру подзарядки. Литиевая ионная аккумуляторная батарея может заряжаться в любое время, что не сокращает срок ее службы. Прерванный процесс подзарядки не наносит батарее вреда.
- Не сжигайте батареи, даже если они сильно повреждены или более не могут заряжаться. Батареи могут взорваться в огне.
- Для ускорения охлаждения батареи после использования, в жаркое время не используйте устройство для подзарядки или батарею под металлическим навесом или в металлическом помещении без тепловой изоляции.



ПРЕДУПРЕЖДЕНИЕ: Никогда не пытайтесь вскрыть батарею по какой-либо причине. Если пластмассовый корпус батареи сломан, или треснул, сдайте батарею в утилизацию.

ПЕРЕД ТЕМ, КАК ЗАРЯДИТЬ БАТАРЕЮ ВАШЕГО ЭЛЕКТРОИНСТРУМЕНТА, ПРОЧИТАЙТЕ ВСЕ ИНСТРУКЦИИ, ПРЕДСТАВЛЕННЫЕ В РАЗДЕЛЕ УСТРОЙСТВА ДЛЯ ПОДЗАРЯДКИ.

- Всегда используйте подходящую батарею SPARKY (входящую в комплект поставки или такую же запасную батарею). Никогда не вставляйте никакие другие батареи. Это опасно, и приведет к поломке электроинструмента.
- Заряжайте батареи только с помощью устройства SPARKY.
- Не выбрасывайте батареи вместе с бытовыми отходами. Батарею следует отдельно передавать в утилизацию согласно требованиям по охране окружающей среды.

МОНТАЖ И ДЕМОНТАЖ БАТАРЕИ

Демонтаж батареи: нажмите кнопки для освобождения батареи (4), и выньте ее из корпуса электроинструмента.



ПРЕДУПРЕЖДЕНИЕ: Прежде всего установите ползун смены направления вращения (3) в среднее положение, после чего можно приступить к выполнению таких действий, как монтаж и подзарядка батареи, смена наконечника, перенос, обслуживание или хранение электроинструмента.

Монтаж батареи: Вставьте батарею в отверстие в основании электроинструмента, до звука характерного щелчка.

ПОДЗАРЯДКА БАТАРЕИ

- Включите штепсель зарядного устройства в электрическую розетку. Индикатор зарядного устройства (10) загорится зеленым светом, указывающим на наличие сетевого электрического напряжения.
- Вставьте батарею (5) в предназначенное для нее гнездо зарядного устройства (9), учитывая положение полюсов. (Рис. 1)
- Новые батареи начинают полноценно работать после 5 циклов зарядки/разрядки. Неупотребляемые длительное время батареи следует 2-3 раза зарядить и разрядить, пока они начнут хорошо работать.
- Если время использования батареи значительно снизилось, независимо от полной подзарядки, вероятно срок ее службы истечерпан. Необходимо немедленно заменить батарею.





ПРЕДУПРЕЖДЕНИЕ: Батарея полностью заряжается за около 30 минут. По истечении этого времени выньте батарею из зарядного устройства.

Индикация при подзарядке:

- При включении зарядного устройства в электрическую сеть загорается зеленый светодиод.
- После того, как батарея вставлена в зарядное устройство, зеленый светодиод гаснет, и загорается красный светодиод, указывая на начало процесса подзарядки.

Во время подзарядки, зарядное устройство и батарея могут нагреться. Это нормальное явление, и не является показателем наличия проблем.

- После завершения процесса подзарядки, который длится около 30 минут, красный светодиод гаснет и загорается зеленый.

Зарядное устройство снабжено термической защитой, предохраняющей батарею от чрезмерной зарядки. Несмотря на это, рекомендуем вынимать батарею из устройства для подзарядки сразу же по окончании процесса подзарядки. Можно использовать электрический таймер для точного контролирования времени подзарядки.

РЕКОМЕНДАЦИИ ПО ПРОДЛЕНИЮ СРОКА СЛУЖБЫ БАТАРЕИ

- Во время простоев, аккумуляторную батарею следует хранить вдали от скрепок, монет, ключей, гвоздей, шурупов и других мелких металлических предметов, которые могут замкнуть выходы батареи, что в свою очередь может привести к короткому замыканию и вызвать пожар или эксплозию.
- Необходимо всегда выключать устройство для подзарядки из электрической розетки, если оно не используется. Хранить устройство для подзарядки следует в сухом и безопасном месте.
- Не заряжайте батареи и не храните зарядное устройство в помещениях, в которых температура может снизиться ниже 0°C, или превысить +40°C.

VII - Знакомство с электроинструментом

Перед тем, как приступить к использованию электроинструмента, ознакомьтесь с его оперативными характеристиками и условиями безопасности.

Используйте электроинструмент и его принадлежности только по назначению. Любое другое приложение категорически запрещается.

1. Патронник
2. Переключатель скорости
3. Переключатель смены направления вращения
4. Кнопки освобождения батареи
5. Батарея
6. Выключатель
7. Светодиодное освещение рабочей зоны
8. Регулятор момента вращения
9. Зарядное устройство
10. Светодиодный индикатор зарядного устройства

VIII - Указания по работе

СВЕТОДИОДНОЕ ОСВЕЩЕНИЕ РАБОЧЕЙ ЗОНЫ

Электроинструмент снабжен светодиодным освещением (7) для повышения освещенности рабочей зоны во время работ в недостаточно освещенных местах. Светодиодное освещение включено до тех пор, пока нажат выключатель (6).

НАСТРОЙКА НАПРАВЛЕНИЯ ВРАЩЕНИЯ

Крайнее правое положение ползуна (3) (вид сзади) означает вращение против часовой стрелки, а крайнее левое - по направлению часовой стрелки. При нажатии выключателя (6) ползуна (3) не может быть задействован. (Рис. 2)



ПРЕДУПРЕЖДЕНИЕ: Изменение направления вращения осуществляется только при остановленном шпинделе.

При выполнении отверстий и закручивании шурупов выключатель установлен в крайнее левое положение. Для откручивания шурупов переключатель устанавливается в крайнее правое положение.

ПУСК - ОСТАНОВКА

Пуск: нажать выключатель (6).

Остановка: освободить выключатель (6).
Электроинструмент оборудован тормозом. После освобождения выключателя шпиндель немедленно прекращает вращаться.

ЭЛЕКТРОННАЯ РЕГУЛИРОВКА СКОРОСТИ ВРАЩЕНИЯ

При легком нажиме на выключатель (6) электроинструмент приводится в действие на низких оборотах, которые плавно увеличиваются до максимальных по мере усиления нажима на выключатель, вплоть до упора.

РЕГУЛИРОВКА МОМЕНТА ВРАЩЕНИЯ

Поверните кольцо, расположенное под патронником, и установите регулятор (8) в одну из 19 позиций, для настройки момента вращения. Позиции регулятора момента (8) позволяют более эффективно контролировать электроинструмент, используя его в качестве отвертки, тем самым предотвращая слишком тугое закручивание шурупов.

Показатель момента вращения обозначен числами, маркированным возле кольца. Чем больше число, тем больше момент вращения. Для того, чтобы выбрать подходящий момент, вращайте кольцо до тех пор, пока соответствующее число не совпадет со стрелкой на корпусе дрели.

 	<p>Закручивание/откручивание шурупов Установите регулятор момента вращения (8) в одну из 19 позиций. Более низкий момент рекомендуется для закручивания шурупов малого диаметра в материал низкой жесткости. Более высокий момент рекомендуется для закручивания шурупов большего диаметра в твердый материал.</p>
	<p>Выполнение отверстий Регулятора момента вращения (8) настроить на этот символ при выполнении отверстий в металле, дереве и др. Электроинструмент оборудован тормозом. Шпиндель останавливается сразу же после освобождения выключателя. В случае перегрузки электроинструмента в режиме выполнения отверстий, немедленно освободите выключатель, во избежание перегрева электродвигателя при продолжительной работе.</p>

ПЕРЕКЛЮЧАТЕЛЬ ПЕРЕДАЧ (РИС. 3)

Двухскоростной переключатель (2) позволяет выбрать подходящую передачу, обеспечивающую оптимальную скорость и момент вращения в каждом отдельном случае.



ПРЕДУПРЕЖДЕНИЕ: Переключайте передачи только при выключенном шуруповерте.

1. Для настройки низкой передачи (низкой скорости, высокого момента вращения), сдвиньте ползун передач (2) назад. Маркированная на переключателе цифра **1** показывает выбранную скорость.
2. Для настройки высокой передачи (высокая скорость, низкий момент вращения), сдвиньте ползун передач (2) вперед. Маркированная на переключателе цифра **2** показывает выбранную скорость.

МОНТАЖ И ДЕМОНТАЖ НАКОНЕЧНИКА (РИС. 4)



ПРЕДУПРЕЖДЕНИЕ: Выньте батарею, или установите выключатель смены направления вращения (3) в среднее (нейтральное) положение (A).

Шуруповерт оборудован самоблокирующимся шпинделем, и при попытке закрутить патронник вручную, шпиндель автоматически заблокируется. Чтобы снять или отрегулировать длину наконечника, необходимо лишь крепко удерживая патронник, повернуть его корпус.

- Удерживая одной рукой электроинструмент, другой поверните патронник.
- Чтобы открыть патронник, поверните его в сторону, противоположную часовой стрелке. (B)
- Чтобы закрыть патронник, поверните его в сторону по часовой стрелке. (D)
- Вставьте наконечник. (C)
- Закройте патронник.
- Выполните пробный пуск для проверки правильности монтажа наконечника в центре патронника.

ЗАМЕНА ПАТРОННИКА



ПРЕДУПРЕЖДЕНИЕ: Замена патронника осуществляется только в специализированном сервисе. Не выполняйте замену патронника с помощью подручных инструментов, т.к. это может повредить аккумуляторный электроинструмент.

ВЫПОЛНЕНИЕ ОТВЕРСТИЙ

Выполнение отверстий в металле

- В целях достижения хорошего результата используйте сверла из быстрорежущей стали для металла или стали.
- Установить регулятор момента вращения (8) в позицию “сверло”.
- Начните работать на низкой скорости, чтобы сверло не соскочило с начальной точки.
- Всегда крепко закрепляйте стальные листы.
- Фиксируйте тонкие металлические листы деревянными брусками, чтобы они не двигались.
- С помощью острого предмета отметьте центр отверстия, которое будете выполнять.
- Используйте смазочную жидкость, подходящую для обрабатываемого материала.

Материал	Смазочная жидкость
Сталь	Смазочное масло
Алюминий	Терпентин или парафин
Латунь, медь, чугун	Не используется смазочная жидкость

Выполнение отверстий в пластмассе и облицованном пластмассой ДПС

- Используйте сверла из быстрорежущей стали.
- Прочтите раздел „Выполнение отверстий в дереве“ ниже.

Выполнение отверстий в дереве

- Для получения хорошего результата, используйте сверла из быстрорежущей стали для дерева.
- Установите регулятор момента вращения (8) в позицию “сверло”.
- Начинайте работать на низкой скорости, чтобы сверло не соскочило с начальной точки. Увеличьте скорость тогда, когда сверло войдет в материал.

- При выполнении сквозного отверстия, подложите под обрабатываемый материал деревянный брусок, для предотвращения разрывов или трещин в задней части отверстия.

Все операции

- Используйте только острые сверла.
- Маркируйте предварительно центр отверстия шилом или гвоздем.

ЗАКРУЧИВАНИЕ / ОТКРУЧИВАНИЕ ШУРУПОВ

Установите подходящий момент вращения, выбрав одно из чисел, маркированных на регуляторе момента вращения (8), напротив стрелки на корпусе.

Вставьте необходимый наконечник.



ПРЕДУПРЕЖДЕНИЕ: Слишком сильное закручивание может привести к поломке шурупа или повреждению наконечника.



ПРЕДУПРЕЖДЕНИЕ: Если держать машину под углом к шурупу, можно повредить его головку, или же момент вращения не будет полностью передан шурупу. Необходимо всегда удерживать электроинструмент и шуруп на одной линии.

IX - Обслуживание



ПРЕДУПРЕЖДЕНИЕ: Всегда устанавливайте переключатель смены направления вращения (3) в среднее положение перед тем, как приступить к любому обслуживанию, напр. при монтаже и подзарядке батареи, смене наконечника, переносе, обслуживании или хранении электроинструмента.

Регулярно проверяйте, насколько крепко закручены шурупы корпуса. В процессе применения шурупы могут раскрутиться из-за вибраций.

УДАЛЕНИЕ ЗАГРЯЗНЕНИЙ

Для обеспечения безопасной работы, всегда поддерживайте электроинструмент и его вентиляционные отверстия в чистоте.

Регулярно проверяйте вентиляционную решетку в области электродвигателя или переключателей на наличие пыли или чужеродных тел. Удаляйте пыль с помощью мягкой щетки. Чтобы предохранить глаза, в процессе чистки пользуйтесь защитными очками. Загрязнения с корпуса машины следует удалять мягкой влажной салфеткой. Можно использовать слабый моющий препарат.



ПРЕДУПРЕЖДЕНИЕ: Не допускает-ся применение спирта, бензина или других растворителей. Никогда не используйте едкие препараты для чистки пластмассовых частей.



ПРЕДУПРЕЖДЕНИЕ: Не допускайте контакта и попадания воды в электроинструмент.

Инструкции по удалению загрязнений с устройства для подзарядки:



ПРЕДУПРЕЖДЕНИЕ: Перед тем, как приступить к чистке устройства для подзарядки, выключите его из электрической сети.

- Загрязненные и жирные внешние части устройства для подзарядки удаляются салфеткой или мягкой неметаллической щеткой. Не используйте для этого воду и чистящие растворы.

ВАЖНО! Для обеспечения безопасного использования электроинструмента и его надежности, любую деятельность по ремонту, обслуживанию и настройке необходимо осуществлять в специализированных мастерских SPARKY, используя только оригинальные запасные части.

X - Утилизация

Отслужившие свой срок электроинструменты, принадлежности и упаковки следует сдавать на экологически чистую рециркуляцию отходов.

Только для стран-членов ЕС:

Не выбрасывайте электроинструменты в коммунальный мусор! Согласно Европейской Директиве 2002/96/ЕС о старых электрических и электронных инструментах и приборах, а также о претворении этой директивы в национальное право, отслужившие свой срок электроинструменты должны отдельно собираться и сдаваться на экологически чистую утилизацию.

Аккумуляторы, батареи:



Не выбрасывайте аккумуляторы/батареи в коммунальный мусор, не бросайте их в огонь или в воду. Аккумуляторы/батареи следует собирать и сдавать на рециркуляцию или на экологически чистую утилизацию.

Только для стран-членов ЕС:

Неисправные или пришедшие в негодность аккумуляторы/батареи должны быть утилизированы согласно Директиве 91/157/ЕЕС.

XI - Гарантия

Гарантийный срок электроинструментов SPARKY указан в гарантийной карте.

Неисправности, появившиеся в результате естественного изнашивания, перегрузки или неправильной эксплуатации, не входят в гарантийные обязательства.

Неисправности, появившиеся вследствие применения некачественных материалов и/или из-за производственных ошибок, устраняются без дополнительной оплаты путем замены или ремонта.

Рекламации дефектного электроинструмента SPARKY принимаются в том случае, если машина будет возвращена поставщику, или специализированному гарантийному сервису в не разобранном (первоначальном) состоянии.

Замечания

Внимательно прочитайте всю инструкцию по эксплуатации перед тем, как использовать это изделие.

Производитель сохраняет за собой право вносить в свои изделия улучшения и изменения, а также изменять спецификации без предупреждения.

Спецификации для разных стран могут различаться.

Съдържание

I - Въведение	83
II - Технически данни	85
III - Общи указания за безопасност при работа с електроинструменти	86
IV - Допълнителни правила за безопасност при работа с акумулаторни бормашини	88
V - Допълнителни правила за работа със зарядното устройство	88
VI - Допълнителни правила за работа с батерии	89
VII - Запознаване с електроинструмента	A/91
VIII - Указания за работа	91
IX - Поддръжка	93
X - Бракуване	94
X - Гаранция	95

РАЗОПАКОВАНЕ

В съответствие с общоприетите технологии на производство е малко вероятно новопридобитият от Вас електроинструмент да е неизправен или някоя от частите му да липсва. Ако забележите, че нещо не е наред, не работете с електроинструмента докато повредената част не се смени или дефектът не бъде отстранен. Неизпълнението на тази препоръка може да доведе до сериозна трудова злополука.

СГЛОБЯВАНЕ

Акумулаторната бормашина се доставя опакована и напълно сглобена.

I - Въведение

Инструментите SPARKY са изработени в съответствие с високите SPARKY стандарти за качество. Употребата им е лесна и безопасна. При правилна употреба инструментът ще ви служи дълго време.



ПРЕДУПРЕЖДЕНИЕ!

Внимателно прочетете цялата инструкция за експлоатация преди да използвате новопридобития си електроинструмент SPARKY. Обърнете специално внимание на текстовете, които започват с думата **“Предупреждение”**. Вашият електроинструмент SPARKY притежава много качества, които ще улеснят Вашата работа. При разработката на този електроинструмент най-голямо внимание е обърнато на безопасността, експлоатационните качества и надеждността, които го правят лесен за поддръжка и експлоатация.



Не изхвърляйте електроинструменти заедно с битовите отпадъци!

Отпадъците от електрически изделия не трябва да се събират заедно с битовите отпадъци. Моля, рециклирайте на местата, предназначени за това. Свържете се с местните власти или представител за консултация относно рециклирането.

ОПАЗВАНЕ НА ОКОЛНАТА СРЕДА



С оглед опазване на околната среда електроинструментът, принадлежностите и опаковката трябва да бъдат подложени на подходяща преработка за повторно използване на съдържащите се в тях суровини.

За облекчаване на рециклирането детайлите, произведени от изкуствени материали, са обозначени по съответния начин.

ОПИСАНИЕ НА СИМВОЛИТЕ

Върху табелката с данни на електроинструмента са означени специални символи. Те предоставят важна информация за изделието или инструкциите за неговото ползване.



Двойна изолация за допълнителна защита



Да се използва само в затворено помещение



Не мокри, пази от дъжд и вода



Не загрявай, пази от пряко слънце и огън



Допустим температурен диапазон на зареждане 0°–40°C



Съответствие с европейските стандарти за безопасност



Съответства на изискванията на руските нормативни документи



Съответства на изискванията на украинските нормативни документи



Запознайте се с инструкцията за използване

YYWww

Период на производство, където променливи символи са:
YY- последните две цифри на годината на производство,
ww - поредна календарна седмица

II - Технически данни

Модел	BR2 7.2Li HD	
▪ Електродвигател:	V	7.2
▪ Скорост на празен ход (I скорост/II скорост)	min ⁻¹	0-190/0-600
▪ Макс. въртящ момент	Nm	13
▪ Регулиране на въртящия момент (бр. положения на регулатора)		19+1
▪ Обхват на патронника	mm	0.6-6
▪ Максимален диаметър на свредлото за стомана / дърво	mm	4 / 6
▪ Максимален диаметър на винт за дърво	mm	6
▪ Електронно регулиране на оборотите, ляв - десен ход		да
▪ Електрическа спирачка		да
▪ Самозаклучващо се вретено		да
▪ Светодиодно осветление на работната зона		да
▪ Светодиодна индикация за зареждане		да
▪ Двускоростна предавка		да
▪ Тегло (с батерията) (ЕРТА процедура 01/2003)	kg	0.7

ИНФОРМАЦИЯ ЗА ШУМ И ВИБРАЦИИ (Стойностите са измерени съгласно EN 60745.)

▪ Излъчване на шум:

A-претеглено ниво на звуково налягане L _{pA}	dB(A)	60
Неопределеност K _{pA}	dB	3
A-претеглено ниво на звукова мощност L _{WA}	dB(A)	71
Неопределеност K _{WA}	dB	3



Използвайте средства за защита от шума!

▪ Излъчване на вибрации *

Обща стойност на вибрациите (векторна сума по трите оси), определена съгласно EN 60745:

Стойност на излъчените вибрации a _{n,D}	m/s ²	0.7
Неопределеност K _{n,D}	m/s ²	0.15

* Вибрациите са определени съгласно т. 6.2.7 на EN 60745-1.

БАТЕРИЯ (Li-Ion):

▪ Напрежение:	V	7.2
▪ Капацитет	Ah	1.3

ЗАРЯДНО УСТРОЙСТВО:

▪ На входа:		
Напрежение / честота	V~Hz	230~50
Консумирана мощност	W	32
▪ Изходящо напрежение / ток	V/A	8 / 3
▪ Време за зареждане	min	30

Посоченото в тази инструкция ниво на вибрации е измерено в съответствие с методиката за изпитване, указана в EN 60745 и може да се използва за сравняване на електроинструменти. Нивото на вибрации може да се използва за предварителна оценка на степента на въздействие. Декларираното ниво на вибрации се отнася за основното предназначение на електроинструмента. В случаите, при които електроинструментът се използва за друго предназначение, с други принадлежности или ако електроинструментът не се поддържа добре, нивото на вибрации може се различава от посоченото. В тези случаи нивото на въздействие може значително да нарасне в границите на общия период на работа.

При оценката на нивото на въздействие на вибрации трябва също да се отчита времето, през което електроинструментът е изключен или е включен, но не се използва. Това може значително да понижи нивото на въздействие в границите на общия период на работа."

Поддържайте електроинструмента и принадлежностите в добро състояние. Пазете ръцете си топли по време на работа - това ще намали вредното въздействие при работа с повишени вибрации.

Прахът, отделян при обработването на материали като оловосъдържащи бои, някои видове дървесина, минерали и метали, може да бъде опасен за здравето. Допирът или вдишването на праха може да предизвика алергични реакции и/или заболявания на дихателните пътища на оператора или на намиращи се в близост лица.

Някои видове прах, например от дъб или бук, се считат за канцерогенни, особено в комбинация с добавки за обработка на дървесина (хромат, консерванти). Материал, който съдържа азбест, трябва да се обработва само от специалисти.

- Когато това е възможно, използвайте прахоотвеждане.
 - За да се постигне висока степен на прахоулавяне, при работа с този електроинструмент използвайте прахосмукачка, предназначена за събиране на прах от дървесина или за прах от дървесина и/или минерален прах.
 - Осигурете добра вентилация на работното място.
 - Препоръчва се използването на защитна маска за прах с филтър клас P2.
- Спазвайте действащите във вашата страна разпоредби за обработване на съответните материали.

III - Общи указания за безопасност при работа с електроинструменти



ПРЕДУПРЕЖДЕНИЕ! Четете всички предупреждения и указания за безопасност. Неспазването на предупрежденията и указанията за безопасност може да предизвика поражение от електрически ток, пожар и/или сериозно нараняване.

Запазете всички предупреждения и указания за бъдещо ползване.

Терминът "електроинструмент" във всички описани по-долу предупреждения се отнася до вашия електроинструмент, захранван от мрежата (с шнур) и/или електроинструмент, захранван от акумулаторна батерия (без шнур).

1. БЕЗОПАСНОСТ НА РАБОТНОТО МЯСТО

- а) Поддържайте работното място чисто и добре осветено. Безпорядъкът и недостатъчното осветление са предпоставка за трудови злополуки.
- б) Не работете с електроинструменти в експлозивни атмосфери при наличие на запалими течности, газове или прах. Електроинструментите образуват искри, които могат да възпламенят праха или парите.
- в) Дръжте децата и страничните лица на разстояние, когато работите с електроинструмент. Разсейването може да

доведе до загуба на контрол от Ваша страна.

2. ЕЛЕКТРИЧЕСКА БЕЗОПАСНОСТ

- а) Щепселите на електроинструментите трябва да съответстват на контактите. Никога не променяйте щепсела по какъвто и да било начин. Не използвайте каквито и да са адаптерни щепсели за електроинструменти със защитно заземяване. Употребата на непроменени щепсели и съответстващите им контакти намалява риска за поражение от електрически ток.
- б) Избягвайте допир на тялото до земя или до заземени повърхности, такива като тръби, радиатори, кухненски печки и хладилници. Ако тялото ви е заземено, съществува повишен риск от поражение от електрически ток.
- в) Не излагайте електроинструментите надъждили във влажна среда. Проникването на вода в електроинструмента повишава риска от поражение от електрически ток.
- г) Използвайте шнура по предназначение. Никога не използвайте шнура за носене на електроинструмента, опъване или изваждане на щепсела от контактното гнездо. Дръжте шнура далече от топлина, масло, остри ръбове или движещи се части. Увредени или оплетени шнурове повишават риска за поражение от електрически ток.
- д) При работа с електроинструмента на открито, използвайте удължител, подходящ за работа на открито. Използването на удължител, подходящ за работа на открито, намалява риска от поражение от електрически ток.

f) Ако работата с електроинструмента във влажна среда е неизбежна, използвайте предпазно устройство, задействано от остатъчен ток, за прекъсване на захранването. Използването на предпазно устройство намалява риска от поражение от електрически ток.

3. ЛИЧНА БЕЗОПАСНОСТ

- a) Бъдете бдителни, работете с повишено внимание и проявявайте благоразумие, когато работите с електроинструмент. Не използвайте електроинструмента, когато сте уморени или под влияние на наркотици, алкохол или медикаменти. Момент на невнимание при работа с електроинструмент може да предизвика сериозна трудова злополука.
- b) Използвайте лични предпазни средства. Носете винаги средства за защита на очите. Лични предпазни средства, като маска против прах, неплъзгащи се безопасни обувки, защитен шлем или средства за защита на слуха, използвани при конкретните условия, намаляват риска от трудови злополуки.
- c) Избягвайте неволно пускане. Убедете се, че прекъсвачът е в изключено положение преди включване към източник на захранване и/или акумулаторна батерия, преди да го вземете или пренасяте. Носенето на електроинструмент с пръст върху прекъсвача или свързването към източник на захранване на електроинструмент с прекъсвач във включено положение е предпоставка за трудова злополука.
- d) Отстранете всеки ключ за затягане или гаечен ключ преди включване на електроинструмента. Ключ за затягане или гаечен ключ, прикрепен към въртяща се част на електроинструмента, може да предизвика трудова злополука.
- e) Не се пресягайте. Поддържайте правилен стоеж и равновесие през цялото време. Това позволява по-добро управление на електроинструмента при неочаквани ситуации.
- f) Носете подходящо работно облекло. Не носете широки дрехи или бижута. Дръжте косите си, дрехите и ръкавиците далеч от движещи се части. Широки дрехи, бижута или дълги коси могат да се захванат от движещи се части.
- g) Ако електроинструментът е снабден с приспособления за засмукване и улавяне на прах, убедете се, че те са свър-

зани и правилно използвани. Използването на тези устройства може да намали свързаните с прах опасности.

4. ИЗПОЛЗВАНЕ И ГРИЖИ ЗА ЕЛЕКТРОИНСТРУМЕНТИТЕ

- a) Не претоварвайте електроинструмента. Използвайте правилно избрания електроинструмент според приложението. Правилно избраният електроинструмент работи по-добре и по-безопасно при обявения режим на работа, за който е проектиран.
- b) Не използвайте електроинструмента, ако прекъсвачът не превключва във включено и изключено положение. Всеки електроинструмент, който не може да бъде управляван с прекъсвач, е опасен и трябва да бъде ремонтиран.
- c) Разединете щепсела от захранващата мрежа преди да извършите всякакви настройки, преди замяна на принадлежност или преди да приберете електроинструмента за съхранение. Тези предпазни мерки за безопасност намаляват риска от неволно пускане на електроинструмента.
- d) Съхранявайте неизползваните електроинструменти на места, недостъпни за деца и не позволявайте на обслужващи лица, които не познават електроинструмента или не са запознати с тези инструкции, да работят с него. Електроинструментите са опасни в ръцете на необучени потребители.
- e) Поддържайте електроинструментите. Проверявайте движещите се части дали функционират нормално и се движат свободно, целостта и изправността на частите, както и за всякаво друго обстоятелство, което може неблагоприятно да повлияе на работата на електроинструмента. Ако е повреден, електроинструментът трябва да бъде ремонтиран преди понататъшно използване. Много злополуки са причинени от лошо поддържани електроинструменти.
- f) Поддържайте режещите инструменти остри и чисти. Правилно поддържаните режещи инструменти с остри режещи ръбове е по-малко вероятно да блокират и са по-лесни за управление.
- g) Използвайте електроинструмента, принадлежностите и частите на инструмента и т.н. в съответствие с тези инструкции и по начин, предвиден за конкретния тип електроинструмент, като вземате предвид работните

условия и работата, която трябва да се извършва. Използването на електроинструмента за работа, различна от тази, за която е проектиран, може да предизвика опасна ситуация.

5. ОБСЛУЖВАНЕ

- а) Поддържайте вашия електроинструмент при квалифициран специалист по ремонта, като използвате само оригиналните резервни части. Това осигурява запазването на безопасността на електроинструмента.

IV - Допълнителни правила за безопасност при работа с акумулаторни бормашини

- Трябва да осъзнаете, че този електроинструмент винаги е в работно състояние, защото не е необходимо да бъде включен в мрежата. Винаги поставяйте прекъсвача в положение ИЗКЛЮЧЕНО, когато поставяте или сваляте батерията.
- Дръжте електроинструмента само за изолираните повърхности за захващане когато извършвате операция, при която пробиващата принадлежност може да допре до скрита ел.инсталация или до собствения шнур. Допирът на пробиващата принадлежност до проводник под напрежение ще постави откритите метални части на електроинструмента под напрежение и операторът ще получи токов удар.
- Ако е възможно винаги използвайте скоби или менгеме, за да фиксирате обработвания материал.
- Не докосвайте свредлото непосредствено след работа с бормашината. То е много горещо.
- Когато работите с бормашина, използвайте защитна екипировка, включваща защитни очила и антифони. Носете маска против прах, ако при пробивната операция се произвежда прах.
- Прахът, отделян при обработването на материали, съдържащи кварц (силициев двуокис), е вреден за здравето. Да не се обработват материали, съдържащи азбест.
- Електроинструментът трябва да се използва само по предназначение. Всякаква друга употреба, различаваща се от описаната в

тази инструкция, ще се счита за неправилна употреба. Отговорността за всякаква повреда или нараняване, произтичащи от неправилна употреба, ще се носи от потребителя, а не от производителя.

- За да експлоатирате правилно този електроинструмент, трябва да съблюдавате правилата за безопасност, общите инструкции и указанията за работа, посочени тук. Всички потребители трябва да са запознати с тази инструкция за експлоатация и информирани за потенциалните рискове при работата с електроинструмента. Деца и физически слаби хора не трябва да използват електроинструмента. Децата трябва да бъдат под непрекъснато наблюдение ако се намират в близост до място, където се работи с електроинструмента. Задължително е да предприемете и превантивни мерки за безопасност. Същото се отнася и за спазването на основните правила за професионалното здраве и безопасност.
- Производителят не носи отговорност за извършени от потребителя промени върху електроинструмента или за повреди, предизвикани от подобни промени.

Дори когато електроинструментът се използва по предназначение, е невъзможно да се елиминират всички остатъчни рискови фактори. Изброените по-долу опасности могат да възникнат във връзка с конструктивните особености и дизайна на електроинструмента.

- Проблеми с белите дробове, ако не се използва ефективна маска против прах.
- Проблеми със слуха, ако не се използват ефективни предпазни мерки.

V - Допълнителни правила за работа със зарядното устройство

- Преди да използвате зарядното устройство прочетете всички инструкции и предупредителни забележки, касаещи него и комплекта батерии, както и инструкциите за използване на батериите.
- Зареждайте батериите си само на закрито, тъй като зарядното устройство е конструирано само за вътрешна употреба.



ПРЕДУПРЕЖДЕНИЕ: Ако батерията е повредена по какъвто и да било начин, не я поставяйте в зарядното устройство. Съществува опасност от токов удар.



ПРЕДУПРЕЖДЕНИЕ: Не допускайте попадане на вода в зарядното устройство. Съществува опасност от токов удар.

- Зарядното устройство е предназначено да работи само и единствено с батерията SPARKY, влизаща в комплекта на доставката. Употребата на всякаква друга батерия може да създаде опасност от пожар или токов удар.
- Зарядното устройство и влизащата в доставката батерия са специално проектирани да работят заедно. Не зареждайте батерията с друго зарядно устройство.
- Не поставяйте предмети върху зарядното устройство, тъй като това може да предизвика прегряване. Не оставяйте зарядното устройство в близост до източници на топлина.
- Не издърпвайте шнура на зарядното устройство, за да го изключите от захранващата мрежа.
- Убедете се, че шнурът на зарядното устройство е разположен така, че да не може да бъде стъпкан, да не се препъват в него, да не бъде повреден или подложен на механично натоварване.
- Не използвайте удължители освен ако това е крайно необходимо. Употребата на неподходящ удължител може да създаде опасност от пожар или токов удар.
- Не използвайте зарядното устройство ако е било подложено на силен удар, изтървано или повредено по какъвто и да е било начин. Не работете със зарядното устройство ако неговият шнур или щепсел са повредени - те трябва да бъдат незабавно заменени. Предайте зарядното устройство в оторизиран сервиз за преглед или ремонт.
- Ако захранващият кабел е повреден, замената трябва да се извърши от производителя или негов сервизен специалист, за да се избегнат опасностите от замената.
- Не разглобявайте зарядното устройство. При необходимост от ремонт се обърнете към оторизиран сервиз. Неправилното повторно сглобяване може да предизвика опасност от пожар или токов удар.
- За намаляване на опасността от токов удар, изключете зарядното устройство от захранването преди почистване. Свалянето на батерията само по себе си не намалява тази опасност.
- Никога не се опитвайте да свържете последователно две зарядни устройства.
- Не съхранявайте и не използвайте зарядното устройство и батериите в места, където температурата достига или надминава

+40°C, напр. навеси, каравани или метални конструкции през лятото.

- Това зарядно устройство е предназначено да се захранва от стандартна мрежа със захранващо напрежение (230–240V). Не свързвайте зарядното устройство към мрежа с друго захранващо напрежение.
- Ако желаете да заредите друга батерия, изключете зарядното устройство от захранващата мрежа и го оставете да се охлади поне за 15 минути. След като това време измине, можете да заредите следващата батерия.
- При определени условия, при зарядно устройство включено в захранващата мрежа, чуждо тяло може да предизвика късо съединение между откритите контакти в зарядното устройство. Проводящите материали, например стоманена вълна, алуминиево фолио, или какъвто и да било друг материал от метални частици, трябва да се държат настрана от кухините на зарядното устройство. Винаги когато в зарядното устройство не е поставена батерия, го изключвайте от захранването.
- Не замразявайте и не потапяйте зарядното устройство във вода или друга течност.

VI - Допълнителни правила за работа с батерии

- Батерията за този електроинструмент се доставя частично заредена. Батерията трябва да се зареди напълно преди започване на работа.



ПРЕДУПРЕЖДЕНИЕ: Ако батерията е напукана или повредена по някакъв друг начин, не я поставяйте в зарядното устройство. Съществува опасност от токов удар.

- Максимална дълготрайност и експлоатационни качества могат да се постигнат ако батерията се зарежда при температура на околната среда между 18°C–24°C. Не зареждайте батерията при температура на околната среда под +4°C или над +40°C. Това има голямо значение и е предпоставка за предотвратяване на сериозни повреди на батерията.
- По време на зареждане зарядното устройство и батерията могат да са топли на допир. Това е нормално и не е показател за

наличие на проблем.

- За да се предотврати прегряване, не зареждайте батерии на директна слънчева светлина в горещо време или в близост до източници на топлина.
- Не зареждайте в кабина или резервоар. По време на зареждането батерията трябва да се намира в добре вентилирано помещение.
- При дефектна акумулаторна батерия от нея може да изтече електролит, който да намокри съседните детайли. Проверете съседните детайли и ги почистете или при необходимост ги заменете.
- Ако батерията не се зарежда нормално:
 - (1) Проверете за наличие на напрежение в мрежовия контакт с лампа или фазомер.
 - (2) Преместете зарядното устройство с батерията на място, където температурата на околната среда е приблизително 18°C–24°C.
 - (3) Ако въпреки това има проблем със зареждането, занесете или изпратете електроинструмента с батерията и зарядното устройство в местния сервис.
- Батерията трябва да се зареди когато престане да произвежда достатъчно мощност за операции, които преди са били извършвани с лекота. В такъв случай ПРЕУСТАНОВЕТЕ РАБОТА. Започнете процедура за зареждане. Литиево-йонната (Li-ion) акумулаторна батерия може да бъде зареждана по всяко време, без това да съкращава нейната дълготрайност. Прекъсване на зареждането също не ѝ вреди.
- Не изгаряйте батерии дори ако имат сериозни повреди или вече не могат да бъдат зареждани. Батериите могат да експлодират в огъня.
- За да се улесни охлаждането на батерията след употреба, в горещо време избягвайте използване на зарядното устройство или батерията в метален навес или каравана без топлинна изолация.



ПРЕДУПРЕЖДЕНИЕ: Никога не се опитвайте да отворите батерията по каквато и да било причина. Ако пластмасовия корпус на батерията се счупи или напука, предайте батерията в сервис за рециклиране.

ПРЕДИ ДА ОПИТАТЕ ДА ЗАРЕДИТЕ БАТЕРИЯТА ЗА СВОЯ ЕЛЕКТРОИНСТРУМЕНТ ПРОЧЕТЕТЕ ВСИЧКИ ИНСТРУКЦИИ В РАЗДЕЛА ЗА ЗАРЯДНОТО УСТРОЙСТВО.

- Винаги използвайте подходяща батерия SPARKY (тази, доставена с електроинструмента или резервна батерия точно като нея). Никога не поставяйте никаква друга батерия. Това ще повреди електроинструмента и може да предизвика опасна ситуация.
- Зареждайте батериите само със зарядни устройства SPARKY.
- Не изхвърляйте батериите заедно с битовите отпадъци. Батериите следва да се събират отделно и да се предават за рециклиране според изискванията за опазване на околната среда.

ПОСТАВЯНЕ И ИЗВАЖДАНЕ НА БАТЕРИЯ

За да извадите батерията: натиснете двата бутона за освобождаване на батерията (4) и я издърпайте навън от корпуса на електроинструмента.




ПРЕДУПРЕЖДЕНИЕ: Винаги поставяйте превключвателя за смяна посоката на въртене (3) в средно положение преди извършване на каквито и да е дейности по електроинструмента, напр. поставяне и зареждане на батерия, смяна на крайник, пренасяне, обслужване или съхраняване на електроинструмента.

За да поставите батерията: Поставете батерията в отвора на основата на електроинструмента докато се чуе характерното прищракване.

ЗАРЕЖДАНЕ НА БАТЕРИЯ

- Включете щепсела на шнура за зарядното устройство в контакт. Върху индикатора на зарядното устройство (10) ще светне зеленият светодиод, указващ наличие на мрежово напрежение.
- Поставете батерията (5) в предназначено за нея гнездо на зарядното устройство (9), като отчитате разположението на полюсите. (Фиг. 1)
- Новите батерии работят пълноценно след 5 цикъла зареждане/разреждане. Неупотребяваните дълго време батерии трябва да се заредят и разреждат 2-3 пъти докато започнат да работят добре.
- Когато времето за използване на батерията намалее значително независимо от пълното ѝ зареждане, вероятно дълготрайността

на батерията е изчерпана. Необходимо е батерията веднага да се замени.

 **ПРЕДУПРЕЖДЕНИЕ:** Батерията се зарежда напълно за около 30 минути. След като този период от време измине, извадете батерията от зарядното устройство.

Индикация при зареждане:

- При включване на зарядното устройство в мрежата светва зеленият светодиод.
- След поставяне на батерия в зарядното устройство зеленият светодиод изгасва и светва червеният светодиод, с което се указва че започва процес на зареждане.

По време на зареждане зарядното устройство и батерията могат да са топли на допир. Това е нормално и не е показател за наличие на проблем.

- След приключване на процеса на зареждане, който трае около 30 минути, червеният светодиод изгасва и светва зеленият светодиод.

Зарядното устройство има термична защита за предпазване на зарежданата батерия от свръх-зареждане. Въпреки това препоръчваме да изваждате батерията от зарядното устройство веднага след като приключи процесът на зареждане. Допълнително може да използвате електрически часовник-прекъсвач (таймер), за да контролирате точно времето на зареждане.

СЪВЕТИ ЗА ПОСТИГАНЕ ПО-ДЪЛГА ИЗДРЪЖЛИВОСТ НА БАТЕРИИТЕ

- Когато не използвате акумулаторната батерия, я дръжте настрана от кламери, монети, ключове, гвоздеи, винтове и други дребни метални предмети, които могат да свържат накъсо изводите ѝ. Свързването накъсо на изводите на батерията може да предизвика късо съединение и да причини пожар или експлозия.
- Винаги изключвайте зарядното устройство от контакта, когато не го използвате и го съхранявайте на сухо и безопасно място.
- Не зареждайте батерии и не съхранявайте зарядното устройство в помещения, където температурата може да падне под 0°C или да надвиши +40°C.

VII - Запознаване с електроинструмента

Преди да започнете да работите с електроинструмента се запознайте с всички оперативни особености и условия за безопасност.

Използвайте електроинструмента и принадлежностите му само по предназначение. Всяко друго приложение е изрично забранено.

1. Бързостягащ патронник
2. Превключвател на скоростните обхвати
3. Превключвател за смяна посоката на въртене
4. Бутони за освобождаване на батерията
5. Батерия
6. Прекъсвач
7. Светодиодно осветление на работната зона
8. Регулатор на въртящия момент
9. Зарядно устройство
10. Светодиоден индикатор на зарядното устройство


VIII - Указания за работа

СВЕТОДИОДНО ОСВЕТЛЕНИЕ НА РАБОТНАТА ЗОНА

Електроинструментът е снабден със светодиодно осветление (7) за повишаване осветеността на работната зона при работа в слабо осветени места. Светодиодното осветление е включено докато прекъсвачът (6) е натиснат.

ИЗБОР НА ПОСОКАТА НА ВЪРТЕНЕ

Крайно дясно положение на лоста (3) (гледано отзад) означава въртене обратно на посоката на часовниковата стрелка, а крайно ляво - по посока на часовниковата стрелка. При натиск върху прекъсвача (6) лостът (3) не може да бъде задействан. (Фиг. 2)

 **ПРЕДУПРЕЖДЕНИЕ:** Смяната на посоката на въртене да се извършва само когато вретеното не се върти.

Пробиване на отвори и завиване на винтове се извършва с превключвател, поставен в крайно ляво положение. Развиване на винтове се извършва при превключвател в крайно дясно положение.

ПУСКАНЕ - СПИРАНЕ

Пускане: прекъсвач (6) се натиска.

Спиране: прекъсвач (6) се отпуска.

Електроинструментът е снабден със спирачка. Вретеното спира да се върти веднага щом отпуснете напълно лоста на прекъсвача.

БЕЗСТЕПЕННО ЕЛЕКТРОННО РЕГУЛИРАНЕ НА ОБОРОТИТЕ

Леко натискане на прекъсвача (6) предизвиква задействане на бормашината на ниски обороти, които плавно се увеличават до максимални с увеличаване на натиска върху прекъсвача до достигане на крайно положение.

РЕГУЛИРАНЕ НА ВЪРТЯЩИЯ МОМЕНТ

Завъртете пръстена зад патронника, за да поставите регулатора (8) в едно от 19 положения и зададете въртящ момент.

Положението на регулатора на въртящ момент (8) позволяват по-добър контрол над електроинструмента, когато се използва като отвертка, като по този начин се предотвратява прекомерно затягане на винтовете.

Големината на въртящия момент се обозначава с едно от числата, маркирани около пръстена. Колкото по-голямо е числото, маркирано върху пръстена, толкова по-голям е въртящият момент. За да изберете подходящ момент, завъртете пръстена докато съответното число не застане пред стрелката върху корпуса на бормашината.

1 19	<p>Завиване/отвиване на винтове Поставете регулатора на въртящия момент (8) в едно от тези 19 положения. По-нисък въртящ момент е подходящ за завиване на винтове с малък диаметър и в материал с ниска твърдост. По-висок въртящ момент е подходящ за завиване на винтове с голям диаметър и в материал с висока твърдост.</p>
	<p>Пробиване Поставете регулатора на въртящия момент (8) срещу този символ, за да изберете пробиване на отвори в метал, дърво и др. Електроинструментът е снабден със спирачка. Вретеното спира да се върти веднага щом отпуснете бутона на прекъсвача. При претоварване на електроинструмента в режим на пробиване веднага освободете прекъсвача, за да предотвратите прегряване на електродвигателя при продължителна работа.</p>

ПРЕВКЛЮЧВАТЕЛ НА СКОРОСТИ

(Фиг. 3)

Двустепенният превключвател на скорости (2) позволява избор на най-подходяща предавка с оптимална скорост и въртящ момент за конкретното приложение.



ПРЕДУПРЕЖДЕНИЕ: Сменяйте предавките само при изключена бормашина.

1. За да изберете ниска предавка (ниска скорост, голям въртящ момент) плъзнете превключвателя на скоростните обхвати (2) назад. Маркираната върху превключвателя цифра **1** показва избраната скорост.
2. За да изберете висока предавка (висока скорост, малък въртящ момент) плъзнете превключвателя на скорости (2) напред. Маркираната върху превключвателя цифра **2** показва избраната скорост.

ПОСТАВЯНЕ И СВАЛЯНЕ НА НАКРАЙНИК (Фиг. 4)



ПРЕДУПРЕЖДЕНИЕ: Извадете батерията или поставете превключвателя за смяна посоката на въртене (3) в средно (неутрално) положение (A).

Бормашината е оборудвана със самозаклучващо се вретено, което означава че ако се опитате да завъртите патронника ръчно, вретеното автоматично ще блокира. За да свалите или регулирате дължината на накрайника е необходимо само да стиснете здраво патронника и да завъртите корпуса му.

- Хванете машината с едната си ръка и завъртете патронника с другата.
- За да отворите патронника го завъртете в посока обратна на часовниковата стрелка. (B)
- За да заворите патронника го завъртете в посока на часовниковата стрелка. (D)
- Поставете накрайника. (C)
- Затворете патронника.
- Изпълнете пробно пускане, за да проверите дали накрайникът е правилно закрепен в центъра на патронника.

СМЯНА НА ПАТРОННИКА



ПРЕДУПРЕЖДЕНИЕ: Смяната на патронника трябва да се извършва само в оторизиран сервиз. Моля не се опитвайте да смените патронника с подръчни инструменти, тъй като това може да увреди акумулаторна бормашина.

ПРОБИВАНЕ НА ОТВОРИ

Пробиване на отвори в метал

- За да постигнете добър резултат, използвайте свредла от бързорежеща стомана за метал или стомана.
- Поставете регулатора на въртящия момент (8) в положение за пробиване “свредло”.
- Започнете пробиването на ниска скорост, за да не приплъзне свредлото от началната точка.
- Винаги прикрепвайте здраво листовите стомана.
- Фиксирайте тънките метални листове с дървени блокчета, за да не се местят.
- Използвайте остър предмет, за да маркирате центъра на отвора за пробиване.
- Използвайте смазочна течност, подходяща за обработвания материал.

Материал	Смазочна течност
Стомана	Смазочно масло
Алуминий	Терпентин или парафин
Месинг, мед, чугун	Не се използва смазочна течност

Пробиване на отвори в пластмасата и облицован с пластмасата талашит

- Използвайте свредла от бързорежеща стомана.
- Прочетете по-долу раздела „Пробиване на отвори в дърво“.

Пробиване на отвори в дърво

- За да постигнете добър резултат, използвайте свредла от бързорежеща стомана за пробиване в дърво.
- Поставете регулатора на въртящия момент (8) в положение за пробиване “свредло”.
- Започнете пробиването на ниска скорост, за да не приплъзне свредлото от началната точка. Увеличете скоростта, когато свредлото навлезе в материала.
- Когато пробивате проходен отвор, подложете парче дърво под обработвания материал, за да предотвратите разкъсване или

разцепване на задната част на отвора.

Всички пробивни операции

- Използвайте само остри свредла.
- Маркирайте предварително центъра на отвора, който ще пробивате с шило или гвоздей.

ЗАВИВАНЕ / ОТВИВАНЕ НА ВИНТОВЕ

Изберете подходящ въртящ момент, като поставите едно от числата, маркирани на регулатора на въртящия момент (8), срещу стрелката върху корпуса.

Поставете необходимия накрайник.



ПРЕДУПРЕЖДЕНИЕ: Прекомерното затягане може да предизвика счупване на винта или повреждане на накрайника.



ПРЕДУПРЕЖДЕНИЕ: Ако машината се държи под ъгъл към затягания винт, може да се повреди главата на винта или въртящият момент няма да се предаде изцяло към винта. Винаги дръжте машината и затягания винт подравнени на една линия.

IX - Поддръжка



ПРЕДУПРЕЖДЕНИЕ: Винаги поставяйте превключвателя за смяна посоката на въртене (6) в средно положение преди извършване на каквито и да е дейности по електроинструмента, напр. поставяне и зареждане на батерия, смяна на накрайник, пренасяне, обслужване или съхраняване на електроинструмента.

Проверявайте редовно дали винтовете на корпуса са здраво притегнати. При продължителна употреба винтовете може да се разхлабят от вибрациите.

ПОЧИСТВАНЕ

За безопасна работа поддържайте винаги чисти машината и вентилационните отвори. Редовно проверявайте дали във вентилационната решетка близо до електродвигателя или около превключвателите не е проникнал прах или чужди тела. Използвайте мека четка за да отстраните събрания се прах. За да предпазите очите си, по време на почиства-

нето носете защитни очила.

Ако корпусът на машината се нуждае от почистване, избършете го с мека влажна кърпа. Може да се използва слаб препарат за мие-не.



ПРЕДУПРЕЖДЕНИЕ: Не се допуска употребата на спирт, бензин или други разтворители. Никога не използвайте раз-яждащи препарати за почистване на пласт-масовите части.



ПРЕДУПРЕЖДЕНИЕ: Не се допуска влизането на вода в контакт с машината.

Инструкции за почистване на зарядното устройство



ПРЕДУПРЕЖДЕНИЕ: Преди почистване изключете зарядното устройство от захранващата мрежа.

- Замърсените и омаслени външни части на зарядното устройство да се почистват с кърпа или мека неметална четка. Не използвайте за тази цел вода и почистващи разтвори.

ВАЖНО! За да се осигури безопасната работа с електроинструмента и неговата надеждност, всички дейности по ремонта, поддръжката и регулирането трябва да се извършват в оторизираните сервиси на SPARKY с използване само на оригинални резервни части.

X - Бракуване

С оглед опазване на околната среда електроинструментът, допълнителните приспособления и опаковката трябва да бъдат подложени на подходяща преработка за повторното използване на съдържащите се в тях суровини.

Само за страни от ЕС:

Не изхвърляйте електроинструменти при битовите отпадъци! Съгласно Директивата на ЕС 2002/96/ЕС относно бракувани електрически и електронни устройства и утвърждаването ѝ като национален закон електроинструментите, които не могат да се използват повече, трябва да се събират отделно и да бъдат подлагани на подходяща преработка за оползотворяване на съдържащите се в тях вторични суровини.

Акумулаторни или обикновени батерии:



Не изхвърляйте батерии при битовите отпадъци или във водохранилища, не ги изгаряйте. Обикновени или акумулаторни батерии трябва да бъдат събирани, рециклирани или унищожавани по екологичен начин.

Само за страни от ЕС:

Съгласно Директива 91/157/ЕИО дефектни или изхабени акумулаторни или обикновени батерии трябва да бъдат рециклирани.

XI - Гаранция

Гаранционният срок на електроинструментите SPARKY се определя в гаранционна карта.

Неизправности, появили се в следствие на естествено износване, претоварване или неправилна експлоатация, се изключват от гаранционните задължения.

Неизправности, появили се в следствие на влягане на некачествени материали и/или производствени грешки, се отстраняват без допълнително заплащане чрез замяна или ремонт.

Рекламация на дефектирал електроинструмент SPARKY се признава, когато машината се върне на доставчика или се представи на оторизиран гаранционен сервиз в неразглобено (първоначално) състояние.

Забележки

Внимателно прочетете цялата инструкция за използване преди да използвате това изделие.

Производителят си запазва правото да въвежда подобрения и промени в своите изделия и да променя спецификациите без предупреждение.

Спецификациите могат да се различават за отделните страни.



1111R01

